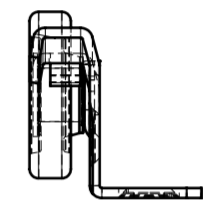
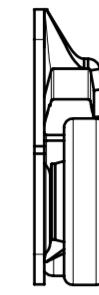
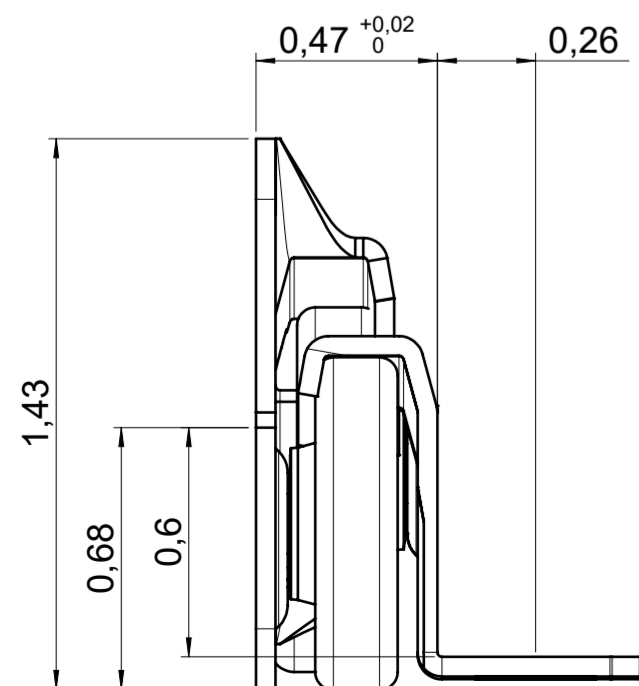
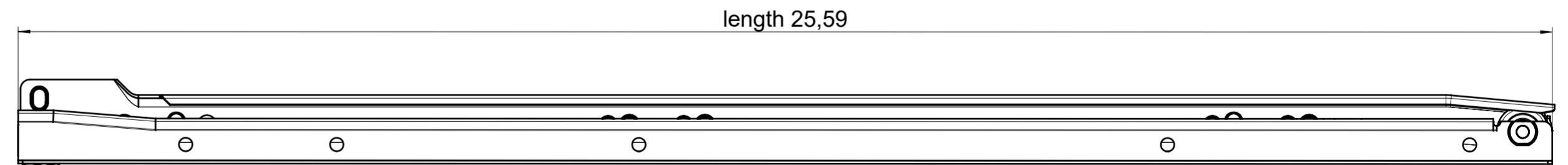
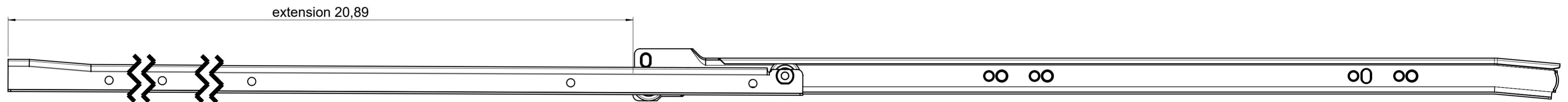
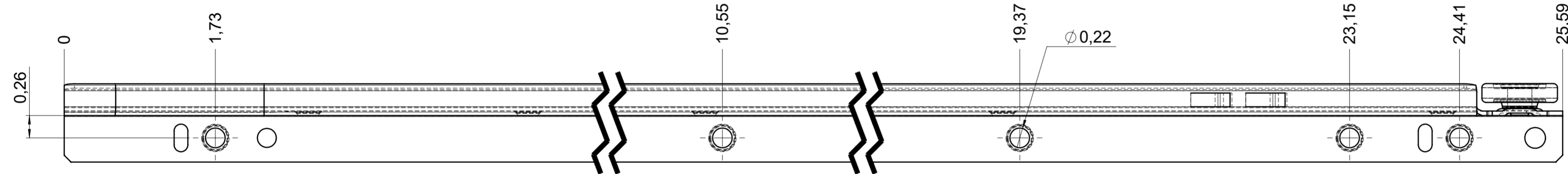
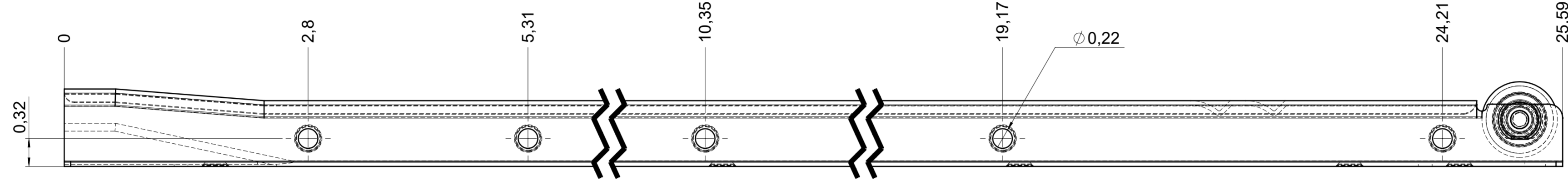
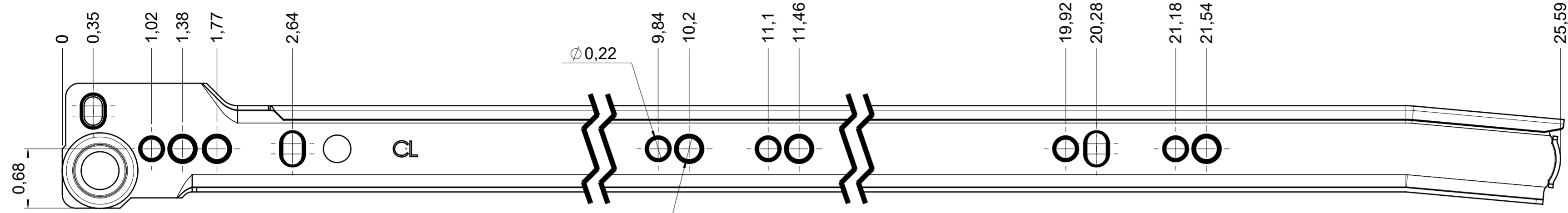


drawn left

dimension without coating / maximum coating allowed 0.004in



**final approval**

customer name:

signed by:

date:

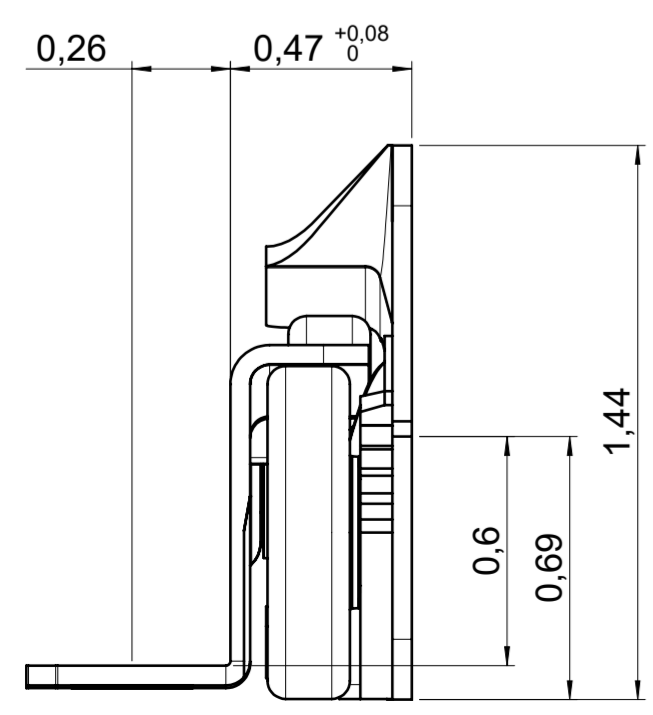
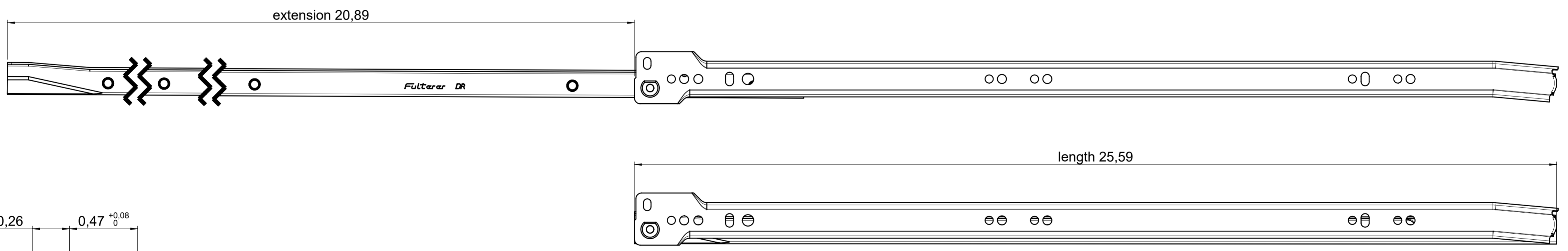
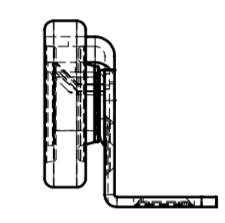
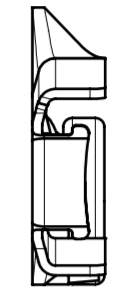
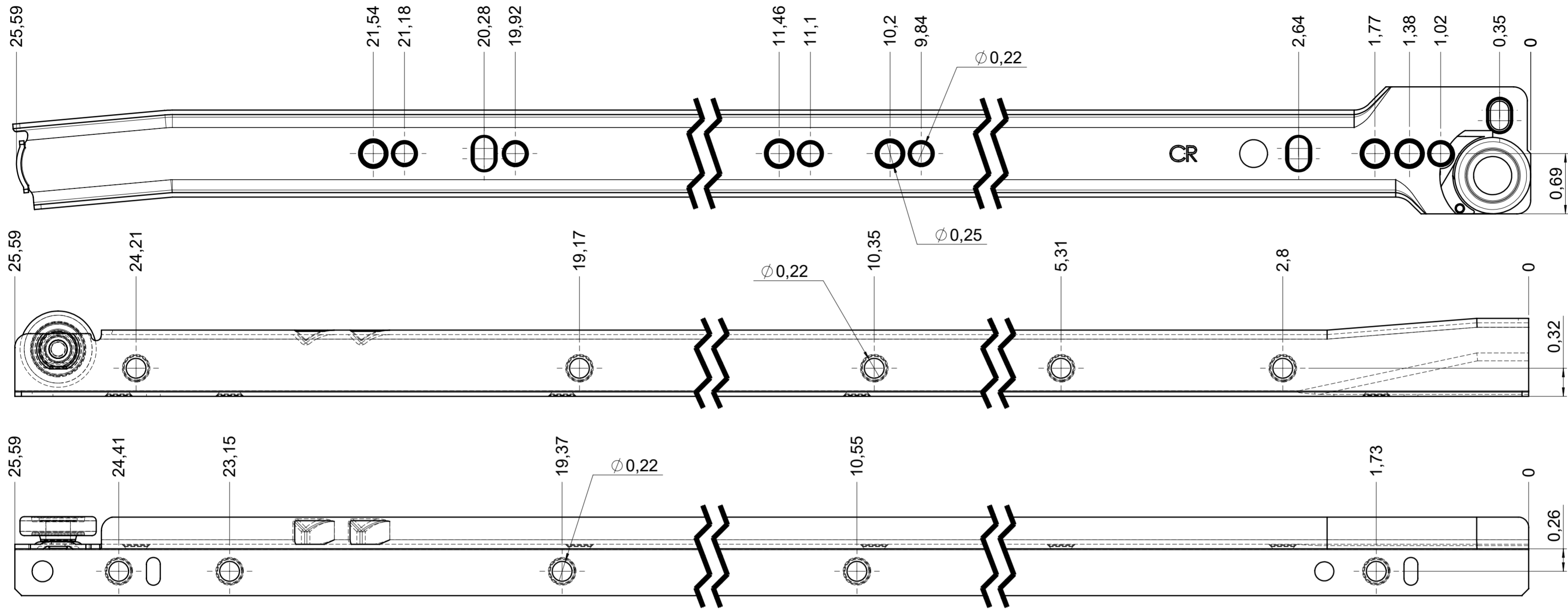
**all dimensions in inch**

DIN ISO 128-30  
missing dimensions see 3D  
 = theor. intersection

This drawing remains our property and may not be multiplied neither be disclosed to third parties (§§1,3 and 5 from the copyright Act (UrhG)) covered according to DIN ISO 16016				scale: 1:1	surface:	material, semi finished parts: STEEL (technical requirements Fulterer)	A2
(k)				date	name	description: FR 2021 / 65 EN (inch) regular-extension drawerside / bottom mount	drawing number: 2021.650-GA.0000.li
(l)				drawn 12-12-2022	pr		
(m)				proven 02-01-2023	pr		
(n)				<b>Fulterer</b>		drawing number: 2021.650-GA.0000.li	replaces version date:
(o)				Fulterer AG & Co KG A-6890 Lustenau / Austria			
(p)				Fulterer AG CH-9430 St. Margrethen			
(q)							
(r)	changes	date	na.				

drawn right

dimension without coating / maximum coating allowed 0.004in



**final approval**

customer name:

signed by:

date:

all dimensions in inch				DIN ISO 128-30 missing dimensions see 3D = theor. intersection	
This drawing remains our property and may not be multiplied neither be disclosed to third parties (§§1,3 and 5 from the copyright Act (UrhG)) covered according to DIN ISO 16016					
scale: 1:1		surface:		material, semi finished parts: STEEL (technical requirements Fulterer)	
drawn 12-12-2022		date 02-01-2023		name pr	
proven 02-01-2023				name pr	
				description: FR 2021 / 65 EN (inch) regular-extension drawerside / bottom mount	
Fulterer AG & Co KG A-6890 Lustenau / Austria Fulterer AG CH-9430 St. Margrethen				drawing number: 2021.650-GA.0000.re	
				replaces version date:	
ind.	changes	date	na.		