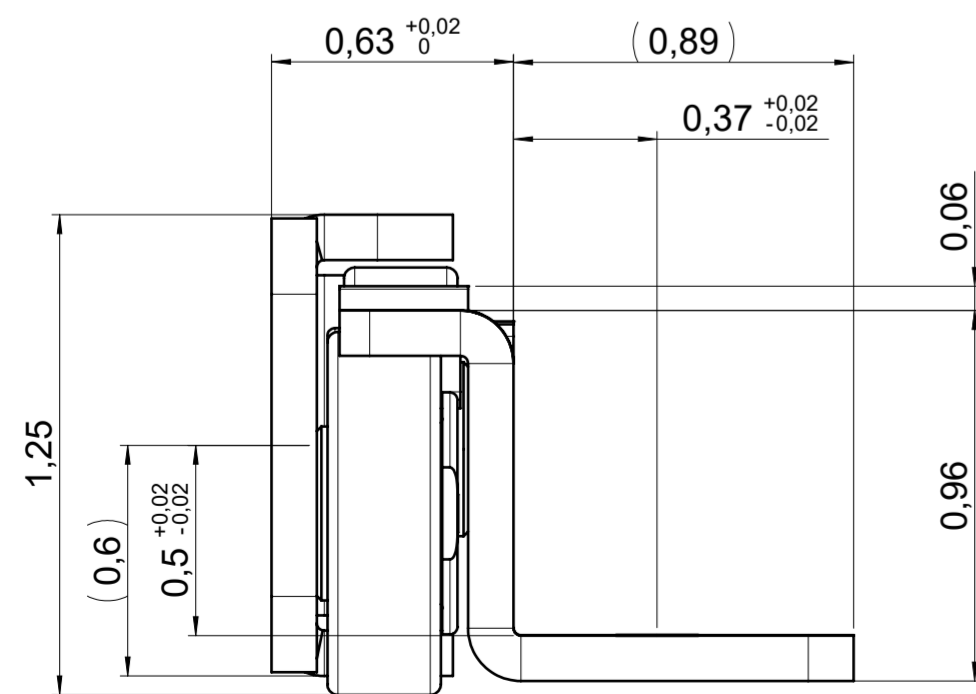
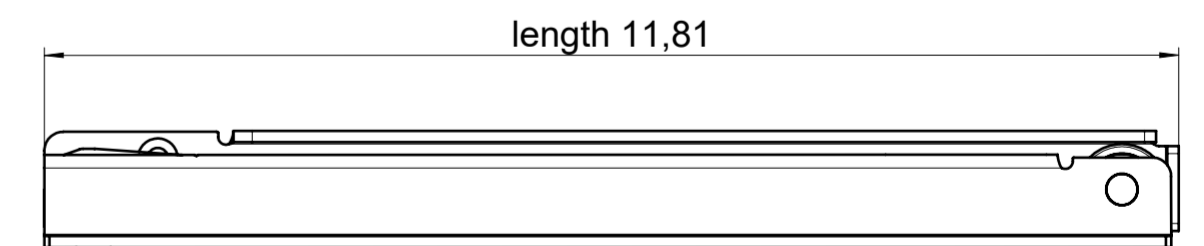
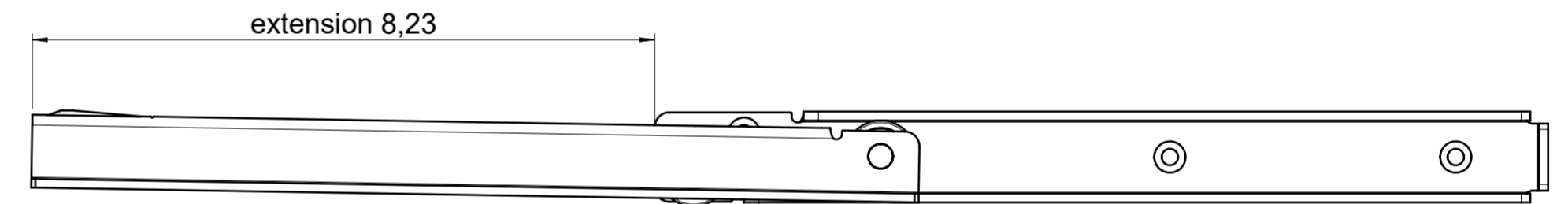
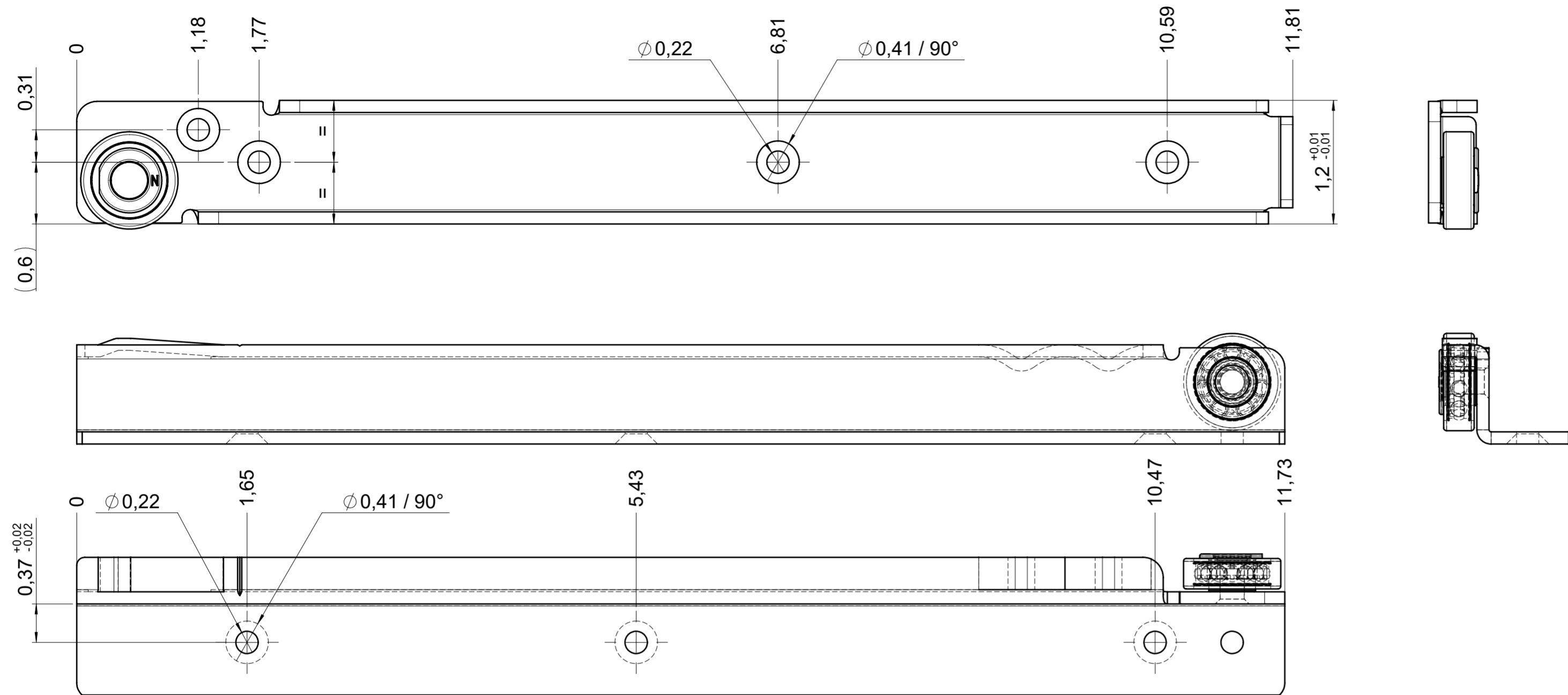


drawn left (right mirrorimage)



final approval

customer name:

signed by:

date:

all dimensions in inch

DIN ISO 128-30
missing dimensions see 3D
 = theor. intersection

This drawing remains our property and may not be multiplied neither be disclosed to third parties (§§1,3 and 5 from the copyright Act (UrhG)) covered according to DIN ISO 16016				scale:	surface:	material, semi finished parts:	A2
(k)				1:1		STEEL	
(l)				date	name	(technical requirements Fulterer)	
(h)				drawn 24-11-2022	ex	description: FR 206 / 30 EN (inch) regular-extension drawerside / bottom mount	
(g)				proven 02-01-2023	pr		
(f)						drawing number: 206.300-GA.0000	
(e)							
(d)				Fulterer AG & Co KG A-6890 Lustenau / Austria		replaces version date:	
(c)				Fulterer AG CH-9430 St. Margrethen			
(b)				changes	date	na.	
(a)							