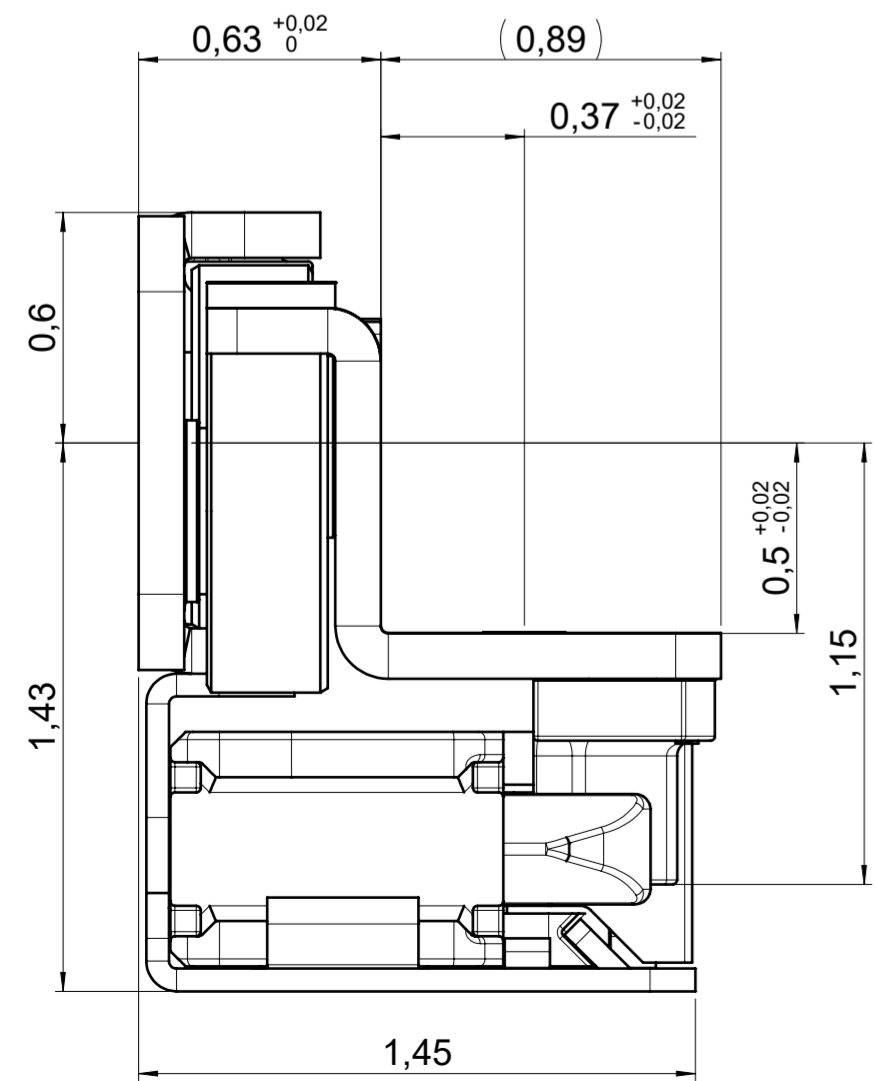
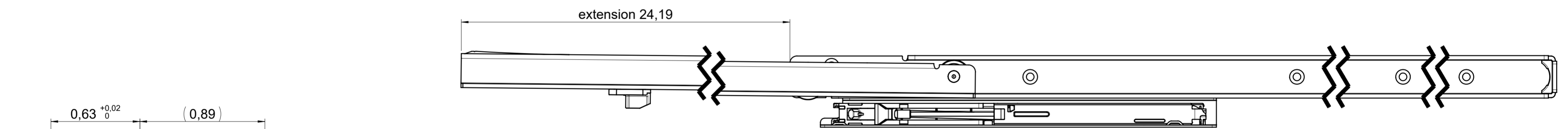
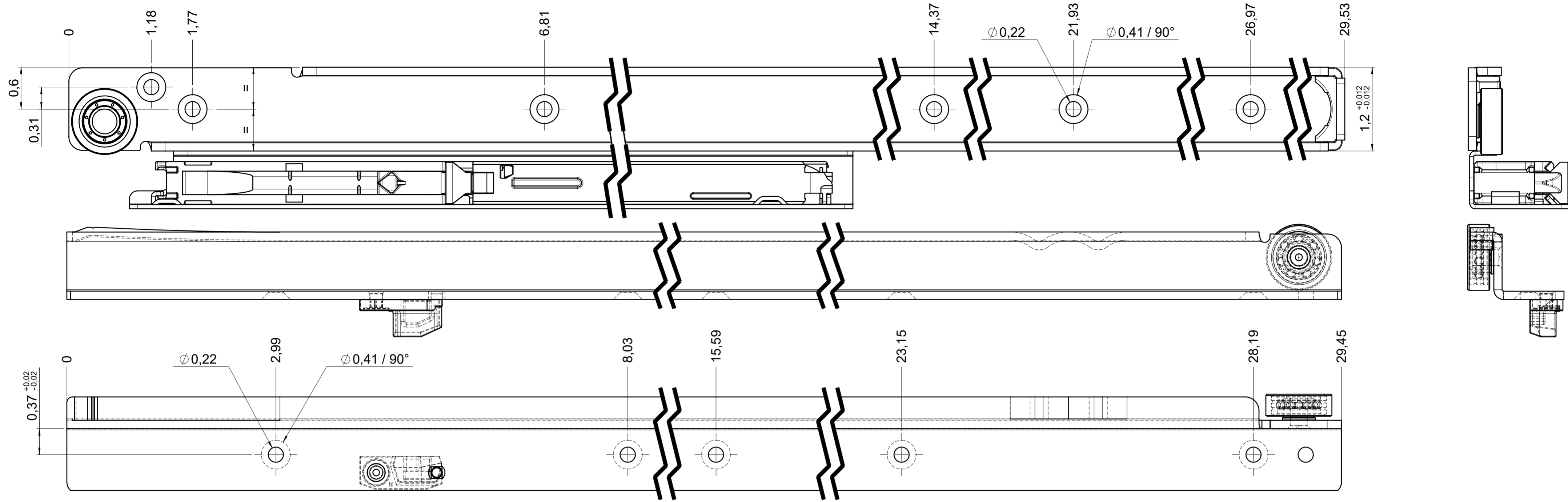
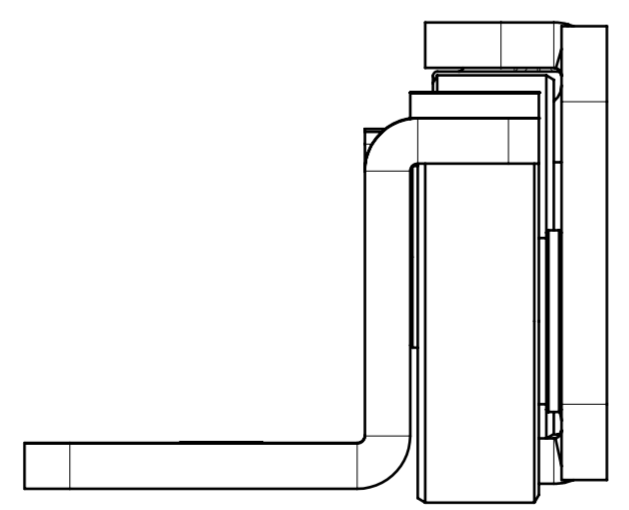


drawn left (right mirrorimage)



left with ECD



right without ECD

**final approval**

customer name:

signed by:

date:

<b>all dimensions in inch</b>			DIN ISO 128-30 missing dimensions see 3D = theor. intersection	
This drawing remains our property and may not be multiplied neither be disclosed to third parties (§§1,3 and 5 from the copyright Act (UrhG)) covered according to DIN ISO 16016				
(k) (l) (m) (n) (o) (p) (q) (r) (s) (t) (u) (v) (w) (x) (y) (z)	scale:	1:1	surface:	material, semi finished parts: STEEL (technical requirements Fulterer)
	drawn	01-05-2023	name	description: FR 206 / 750 EN (inch) regular-extension drawerside / bottom mount
	proven	08-05-2023	ex	
	Fulterer AG & Co KG A-6890 Lustenau / Austria Fulterer AG CH-9430 St. Margrethen		drawing number: <b>206.750-GA.L529</b> replaces version date:	
ind.	changes	date	na.	