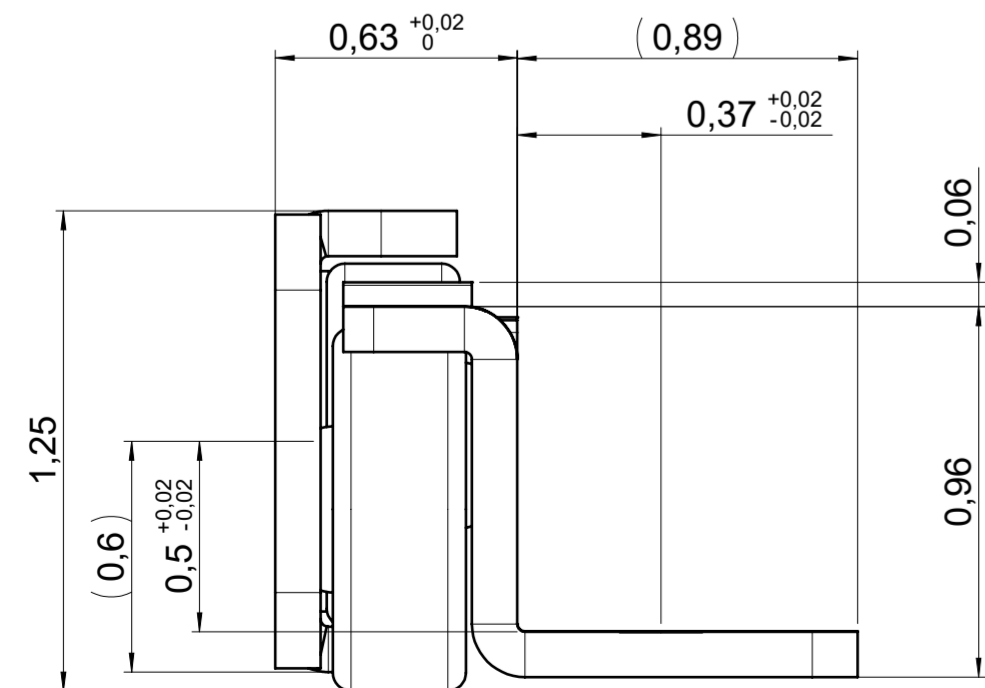
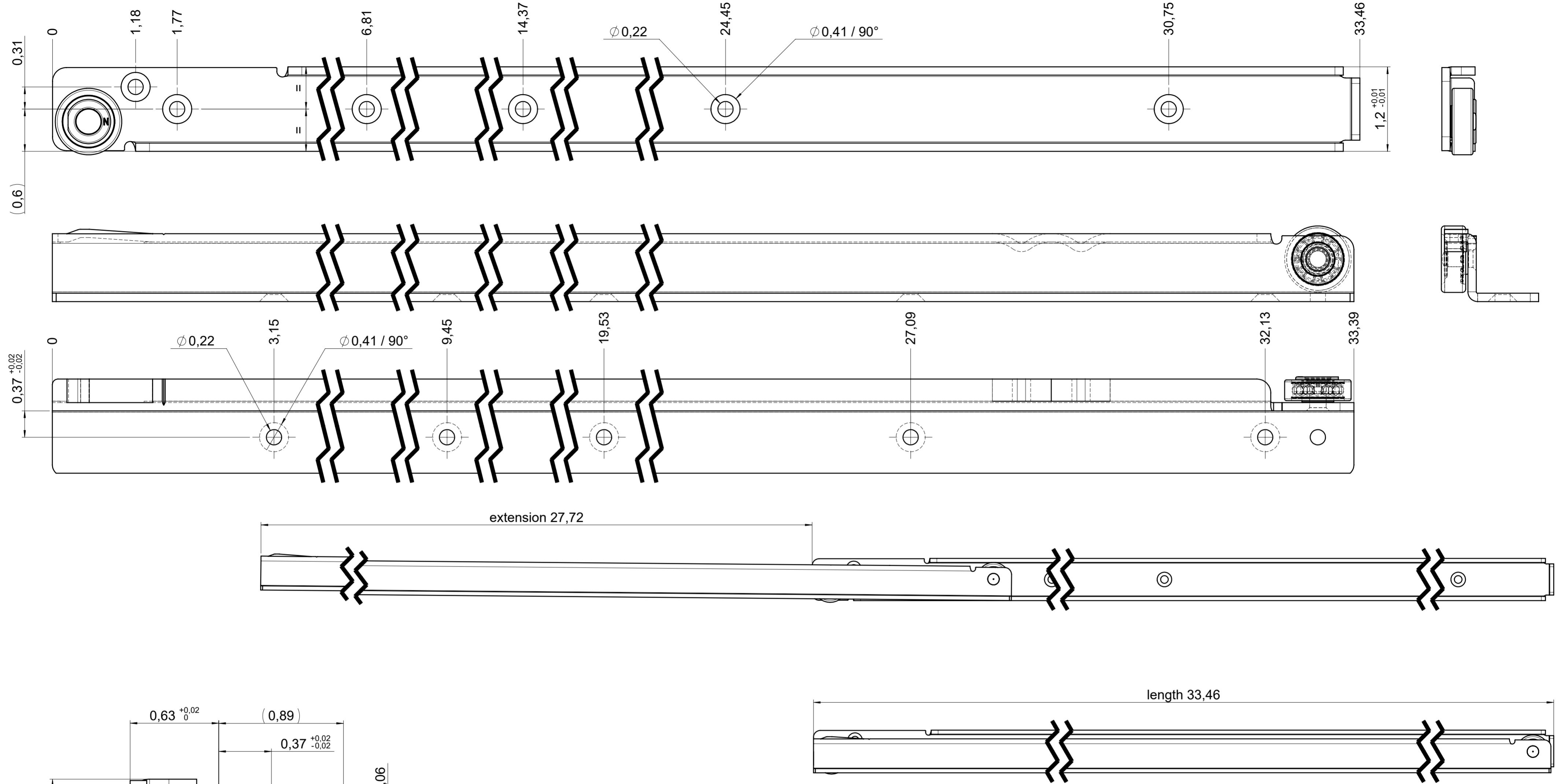


drawn left (right mirrorimage)

dimensions without coating / maximum coating allowed 0.004in



final approval

customer name:

signed by:

date:

all dimensions in inch

DIN ISO 128-30
missing dimensions see 3D
 = theor. intersection

| | | | | | | | |
|--|--|--|--|---------------------------|----------|--|----|
| This drawing remains our property and may not be multiplied neither be disclosed to third parties (§§1,3 and 5 from the copyright Act (UrhG)) covered according to DIN ISO 16016 | | | | scale: 1:1 | surface: | material, semi finished parts: STEEL (technical requirements Fulterer) | A2 |
| (k) | | | | date | name | description: FR 206 / 85 EN (inch) regular-extension drawerside / bottom mount | |
| (l) | | | | drawn 24-11-2022 | ex | | |
| (h) | | | | proven 02-01-2023 | pr | | |
| (g) | | | | | | drawing number: 206.850-GA.SB00 | |
| (f) | | | | | | | |
| (e) | | | | Fulterer AG & Co KG | | drawing number: 206.850-GA.SB00 | |
| (d) | | | | A-6890 Lustenau / Austria | | | |
| (c) | | | | Fulterer AG | | replaces version date: | |
| (b) | | | | CH-9430 St. Margrethen | | | |
| (a) | | | | changes | date | na. | |