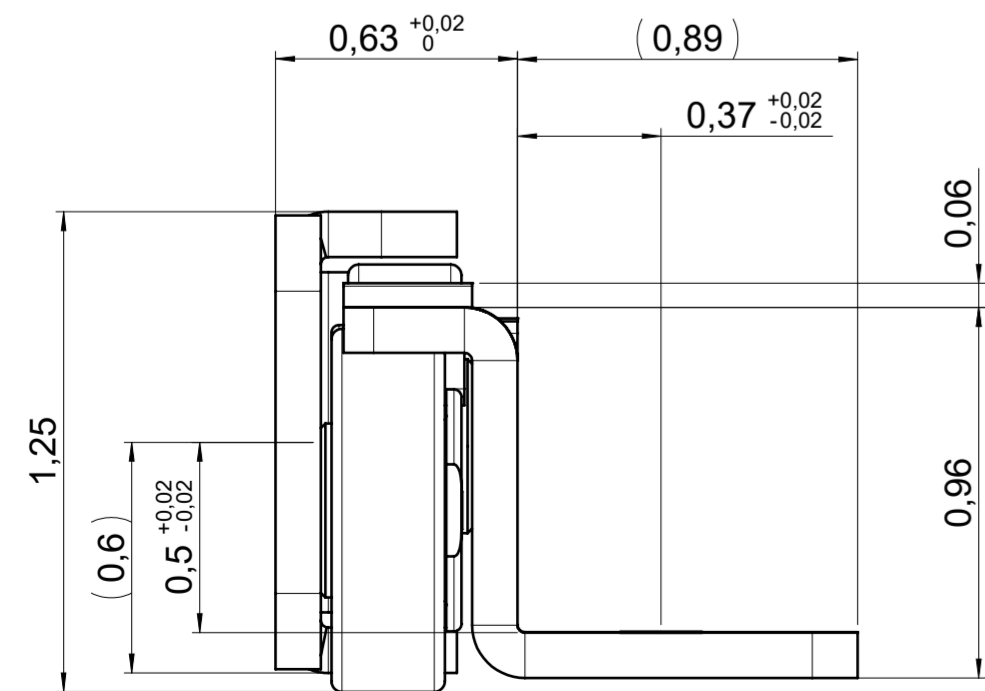
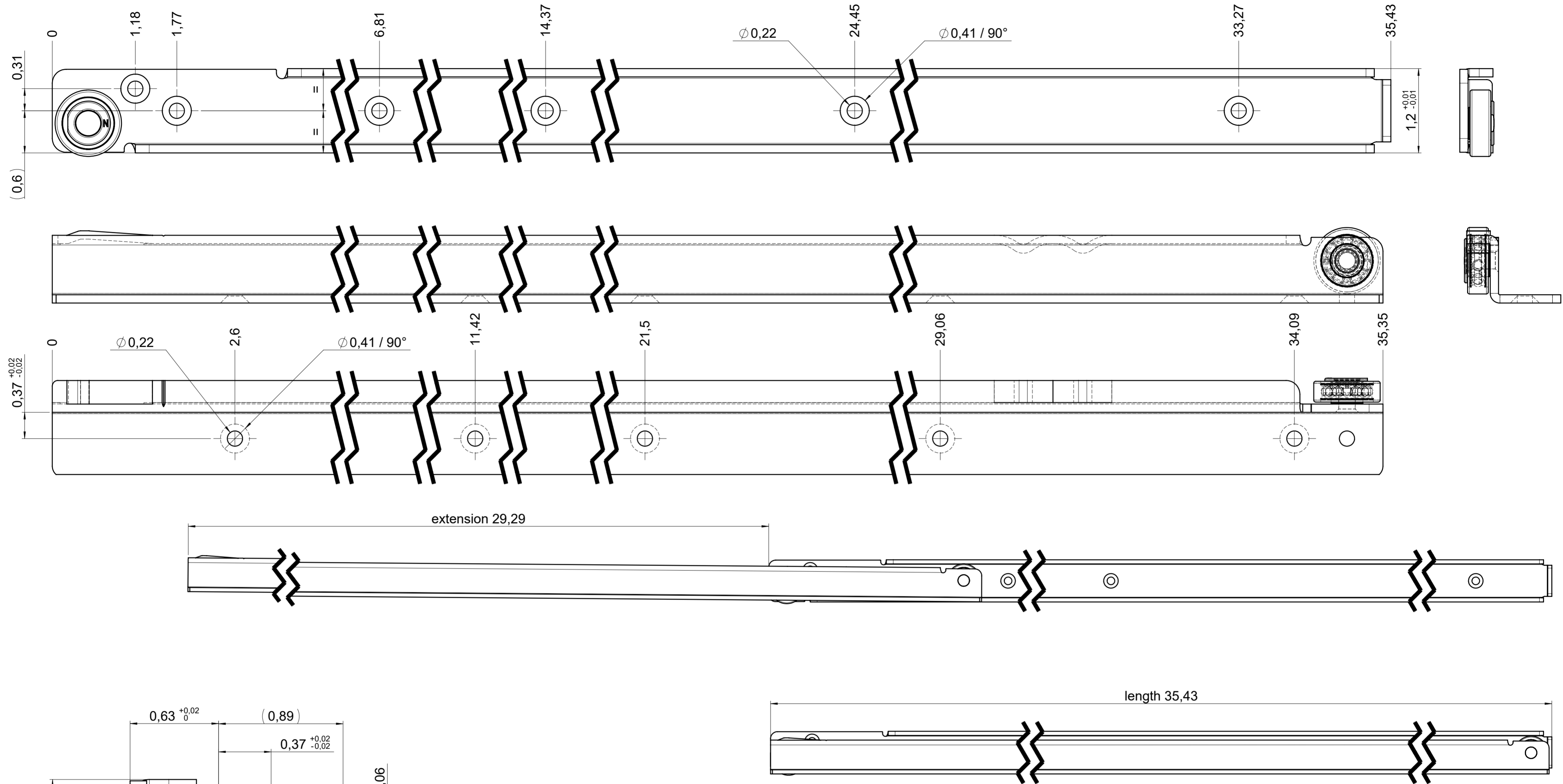


drawn left (right mirrorimage)



**final approval**

customer name:

signed by:

date:

<b>all dimensions in inch</b>			DIN ISO 128-30 missing dimensions see 3D = theor. intersection	
This drawing remains our property and may not be multiplied neither be disclosed to third parties (§§1,3 and 5 from the copyright Act (UrhG)) covered according to DIN ISO 16016				
(k) (l) (m) (n) (o) (p) (q) (r) (s) (t)	scale:	1:1	surface:	material, semi finished parts: <b>STEEL</b>
	drawn	date	name	(technical requirements Fulterer)
	proven	date	ex	description:
			pr	FR 206 / 90 EN (inch)
				regular-extension drawerside / bottom mount
				drawing number:
			<b>Fulterer AG &amp; Co KG</b> A-6890 Lustenau / Austria <b>Fulterer AG</b> CH-9430 St. Margrethen	<b>206.900-GA.0000</b>
ind.	changes	date	na.	replaces version date: