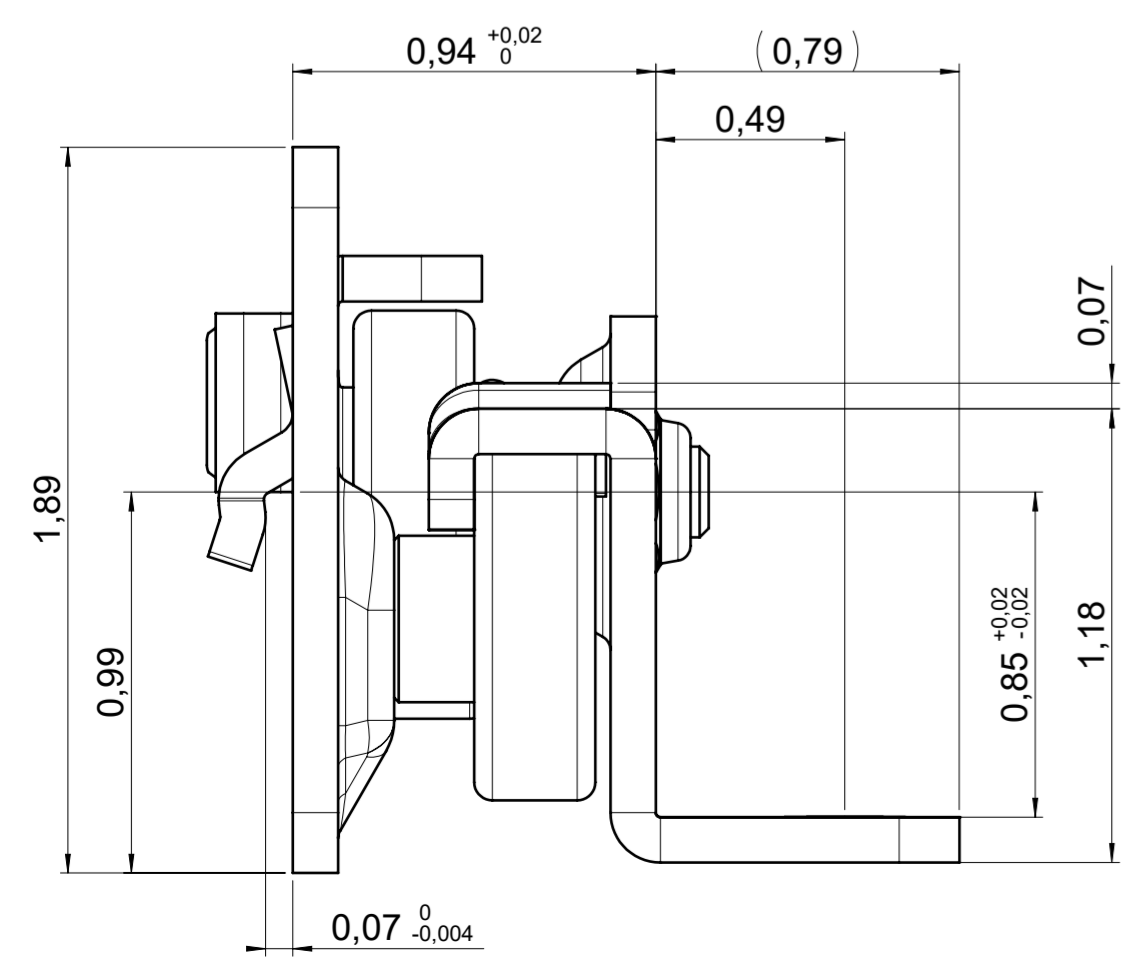
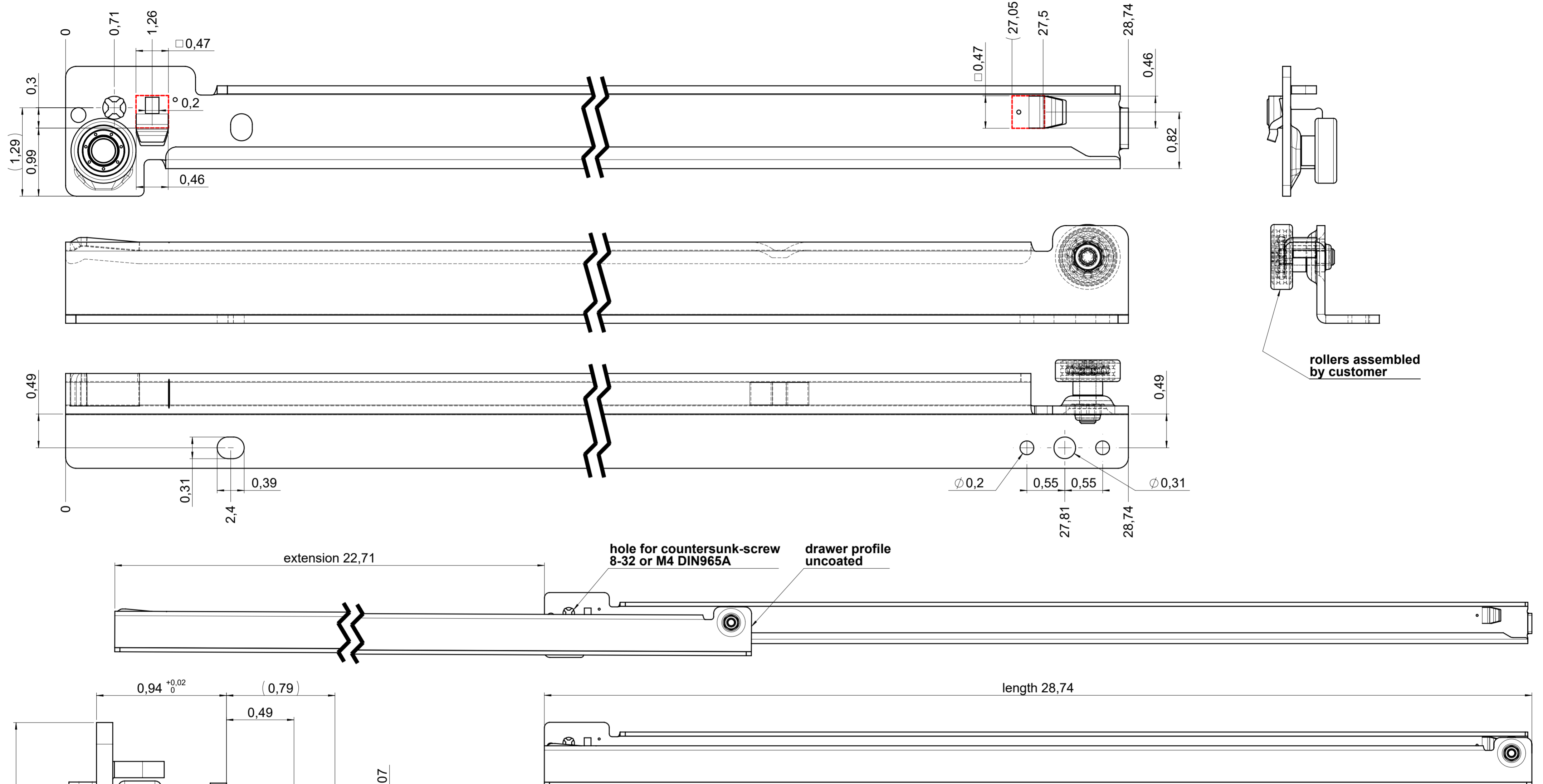


drawn left (right mirrorimage)

dimensions without coating / maximum coating allowed 0.004in



**final approval**

customer name:

signed by:

date:

<b>all dimensions in inch</b>				DIN ISO 128-30 missing dimensions see 3D = theor. intersection	
This drawing remains our property and may not be multiplied neither be disclosed to third parties (§§1,3 and 5 from the copyright Act (UrhG)) covered according to DIN ISO 16016					
(k) (l) (i) (h) (g) (f) (e) (d) (c) (b) (a)	scale:	1:1		surface:	material, semi finished parts: <b>STEEL</b> (technical requirements Fulterer)
	drawn	date	name	ex	description: FR 215 / 73 EN (inch) regular-extension drawerside / bottom mount
	proven	01-03-2023	pr	pr	
	<b>Fulterer</b>				drawing number: <b>215.730-GA.U004</b> replaces version date:
Fulterer AG & Co KG A-6890 Lustenau / Austria Fulterer AG CH-9430 St. Margrethen					
ind.	changes	date	na.		