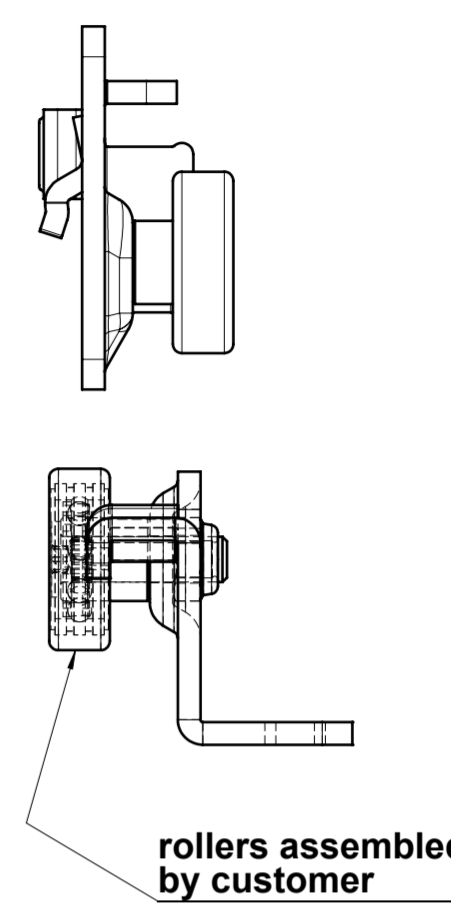
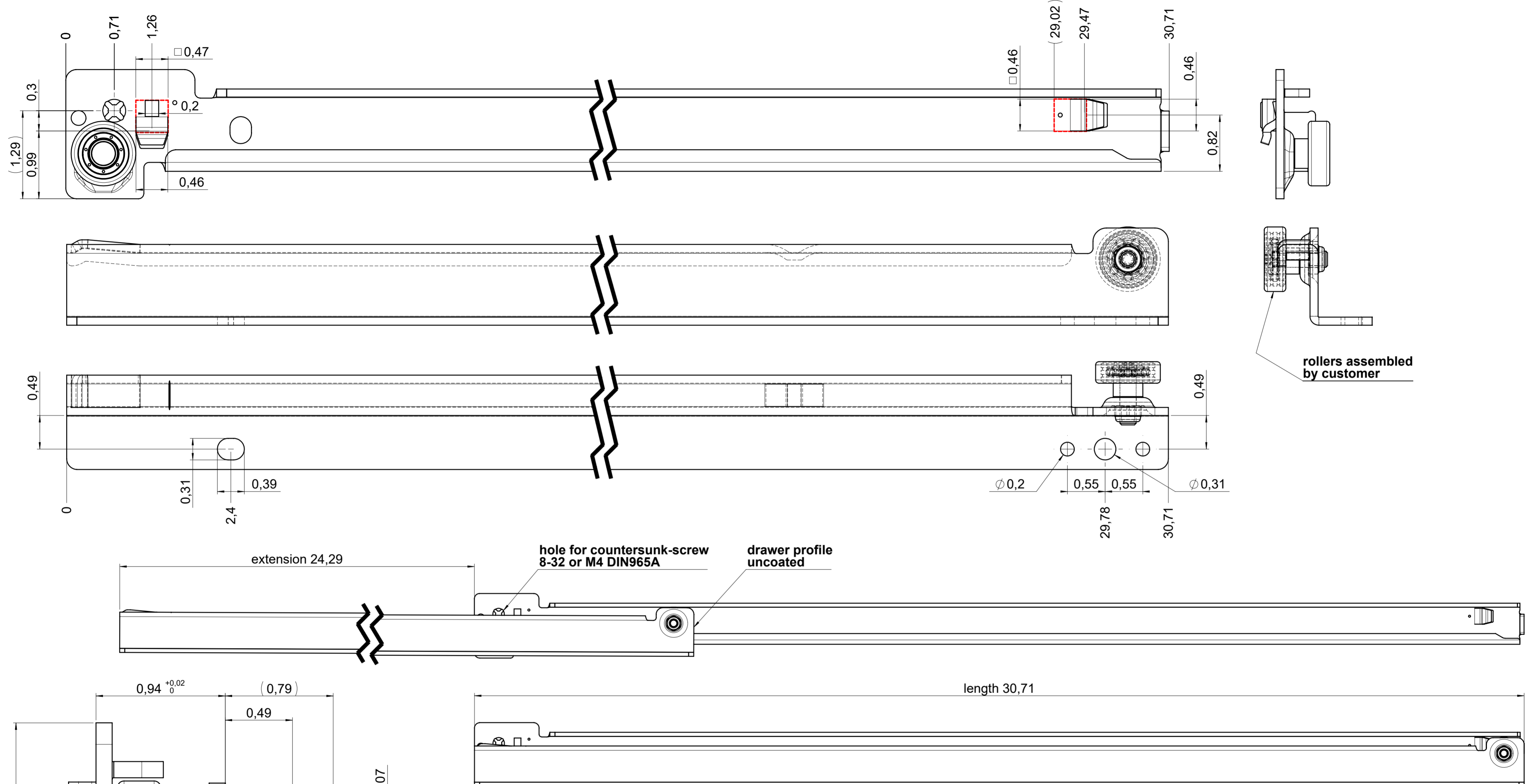


drawn left (right mirrorimage)

dimensions without coating / maximum coating allowed 0.004in



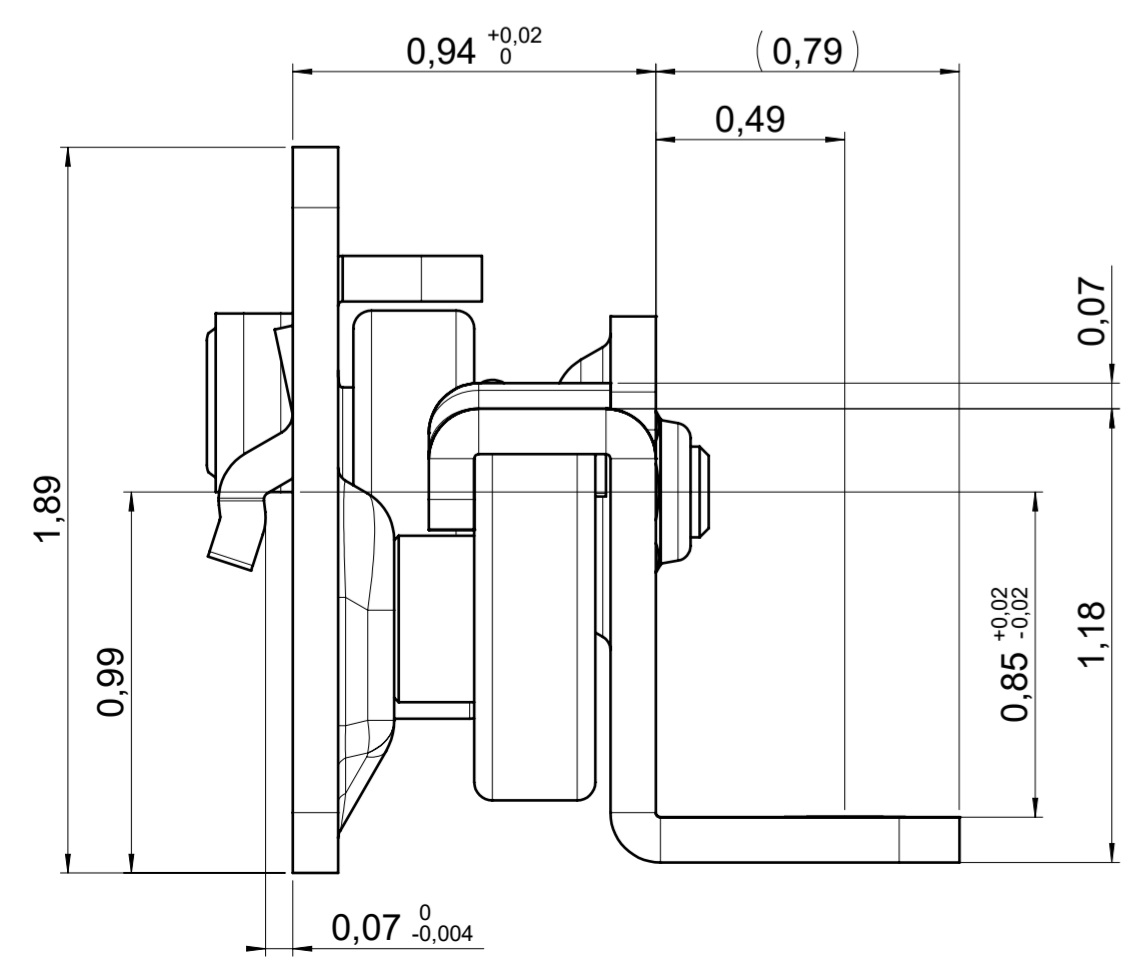
rollers assembled by customer

extension 24,29

hole for countersunk-screw 8-32 or M4 DIN965A

drawer profile uncoated

length 30,71



final approval

customer name:

signed by:

date:

all dimensions in inch				DIN ISO 128-30 missing dimensions see 3D = theor. intersection	
This drawing remains our property and may not be multiplied neither be disclosed to third parties (§§1,3 and 5 from the copyright Act (UrhG)) covered according to DIN ISO 16016					
(k) (l) (m) (n) (o) (p) (q) (r) (s) (t) (u) (v) (w) (x) (y) (z)	scale:	1:1		surface:	material, semi finished parts: A2
	drawn	date	name	description: FR 215 / 78 EN (inch) regular-extension drawerside / bottom mount	
	proven	02-01-2023	pr		
				drawing number:	215.780-GA.U004 replaces version date:
Fulterer AG & Co KG A-6890 Lustenau / Austria Fulterer AG CH-9430 St. Margrethen					
ind.	changes	date	na.		