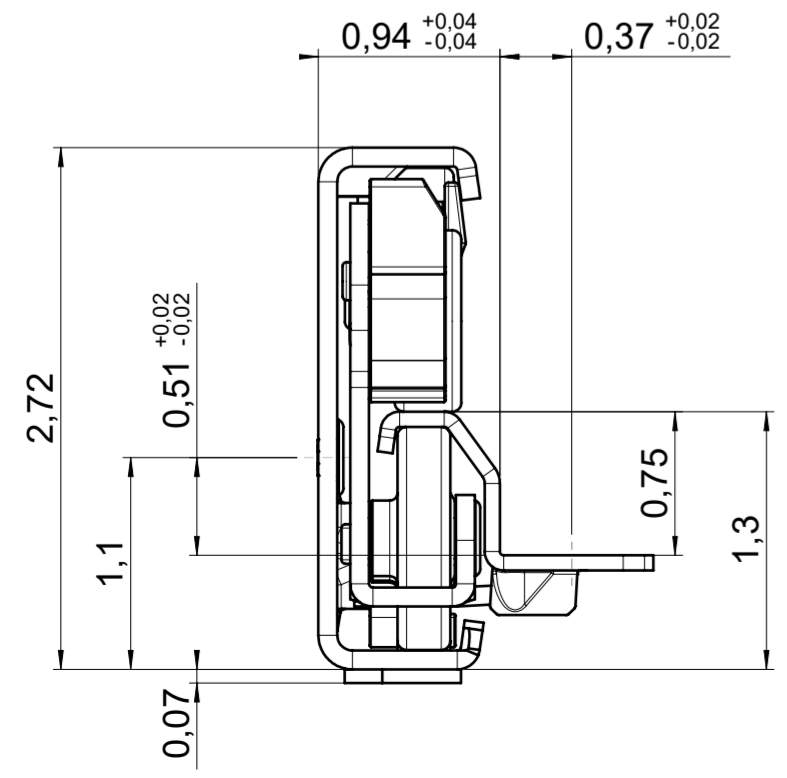
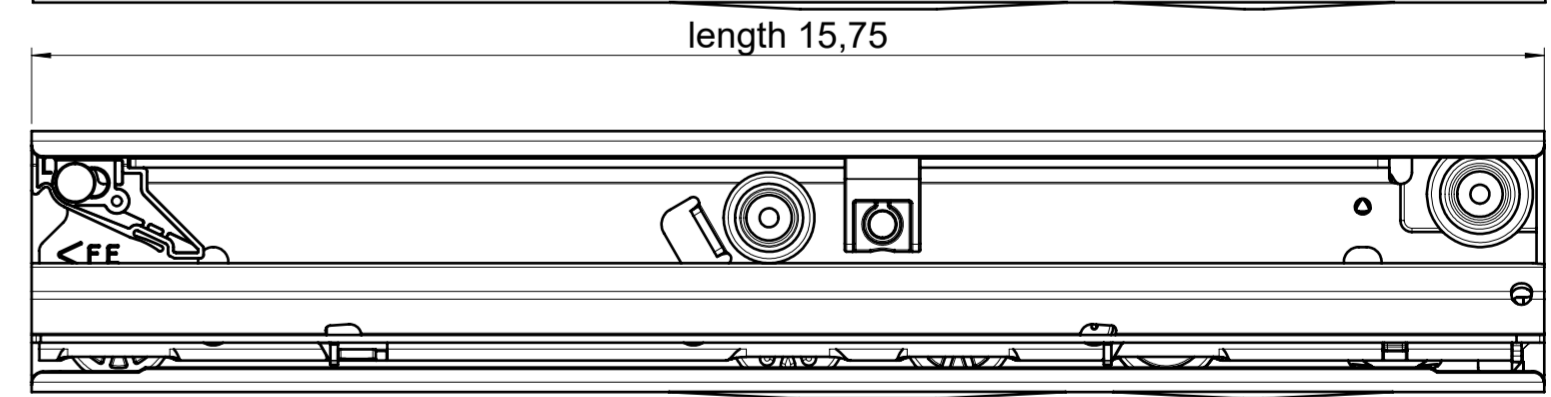
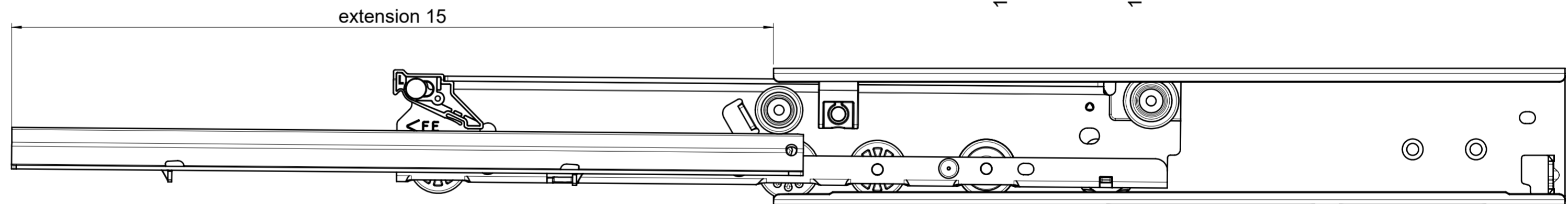
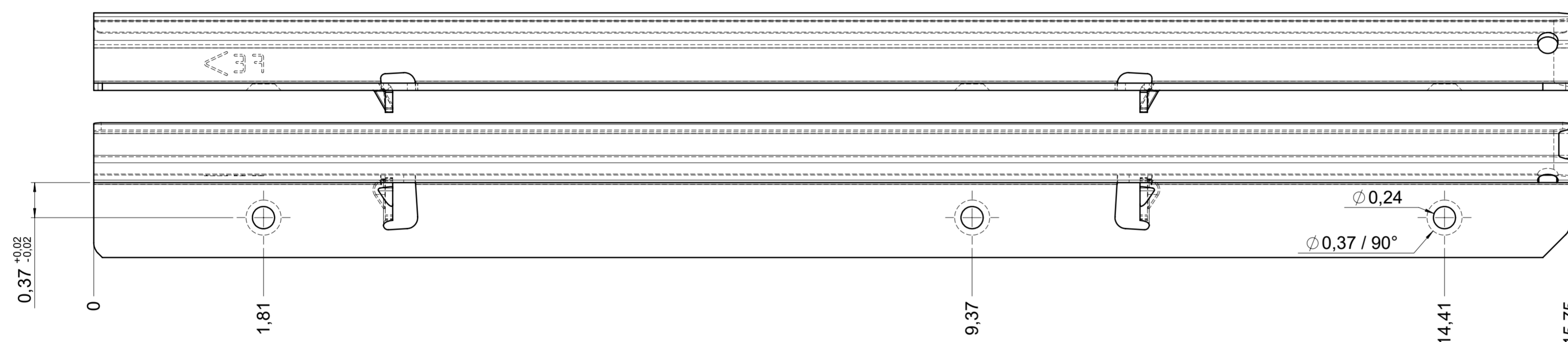
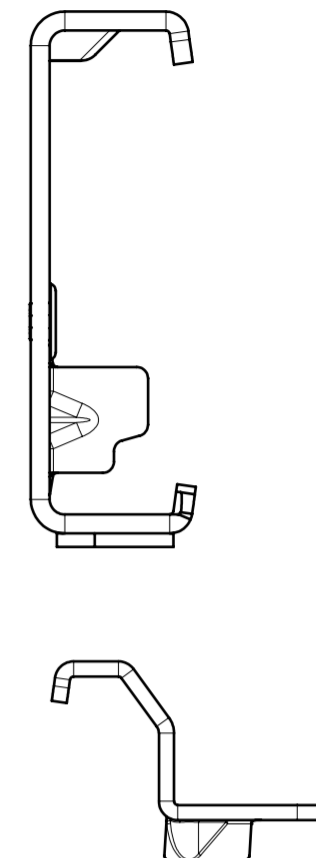
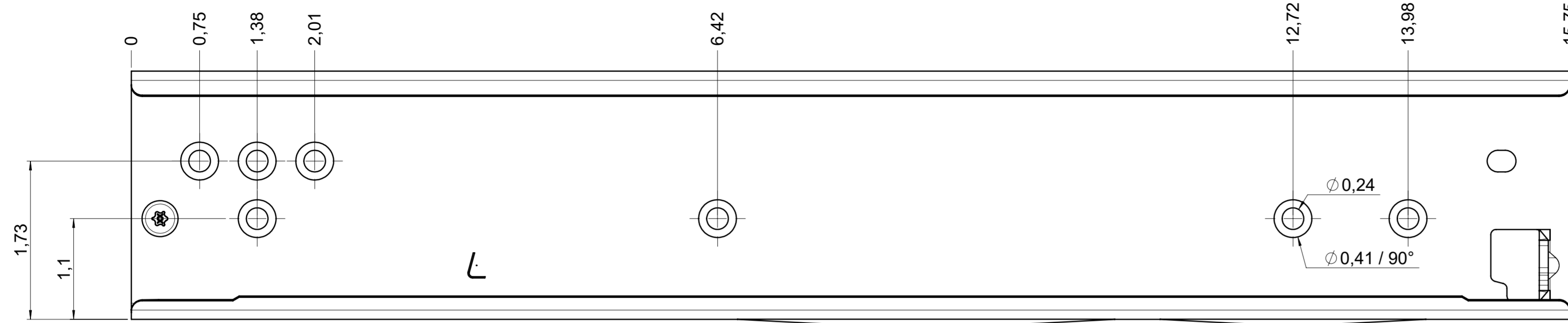


drawn left (right mirrorimage)

dimensions without coating / maximum coating allowed 0.1mm



final approval

customer name:

signed by:

date:

all dimensions in inch			DIN ISO 128-30 missing dimensions see 3D = theor. intersection	
This drawing remains our property and may not be multiplied neither be disclosed to third parties (§§1,3 and 5 from the copyright Act (UrhG)) covered according to DIN ISO 16016				
(k) (l) (m) (n) (o) (p) (q) (r) (s) (t) (u) (v) (w) (x) (y) (z)	scale:	surface:		material, semi finished parts: steel (technical requirements Fulterer)
	1:1			
	drawn	date	name	description: FR 7180 / 40 EN (inch) progressive-action full-extension drawerslide / bottom mount
	proven	22-12-2022	BM	
	00-00-0000	00		
			drawing number: 7180.0400-GA.0000 replaces version date:	
Fulterer AG & Co KG A-6890 Lustenau / Austria Fulterer AG CH-9430 St. Margrethen				
ind.	changes	date	na.	