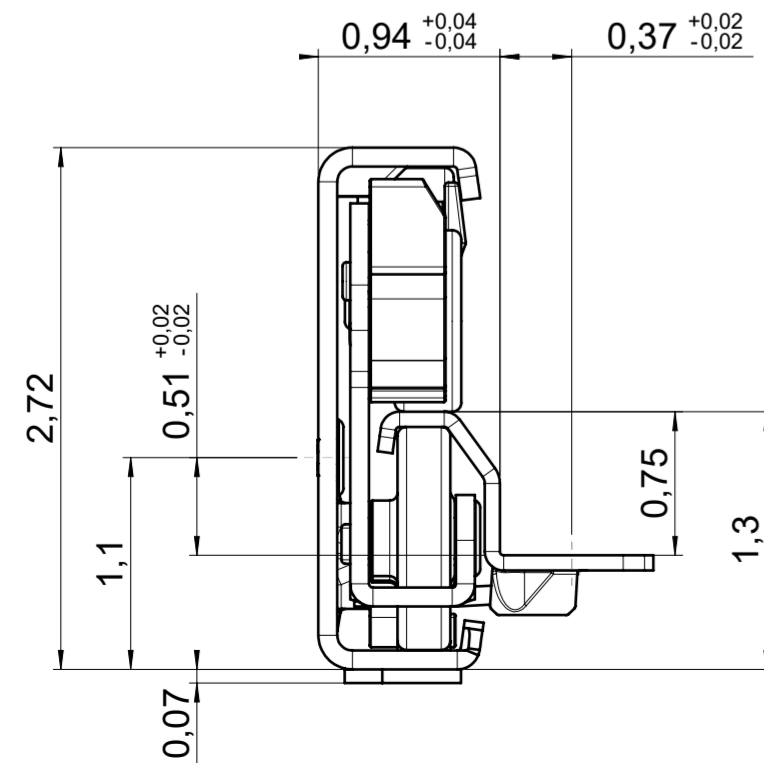
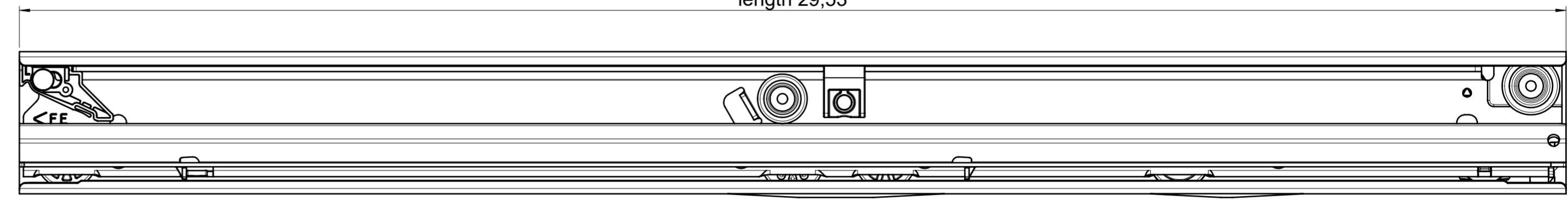
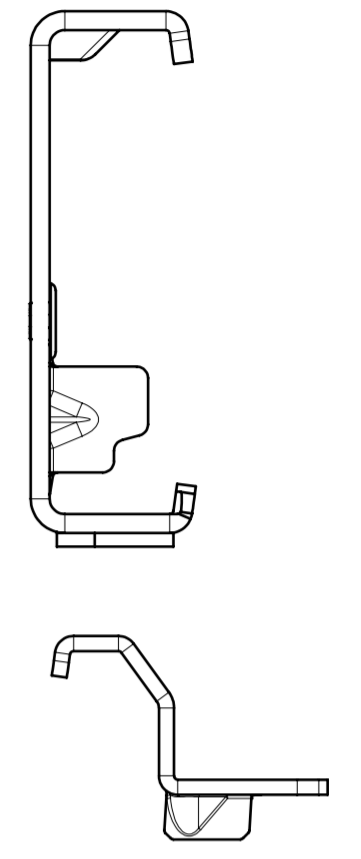
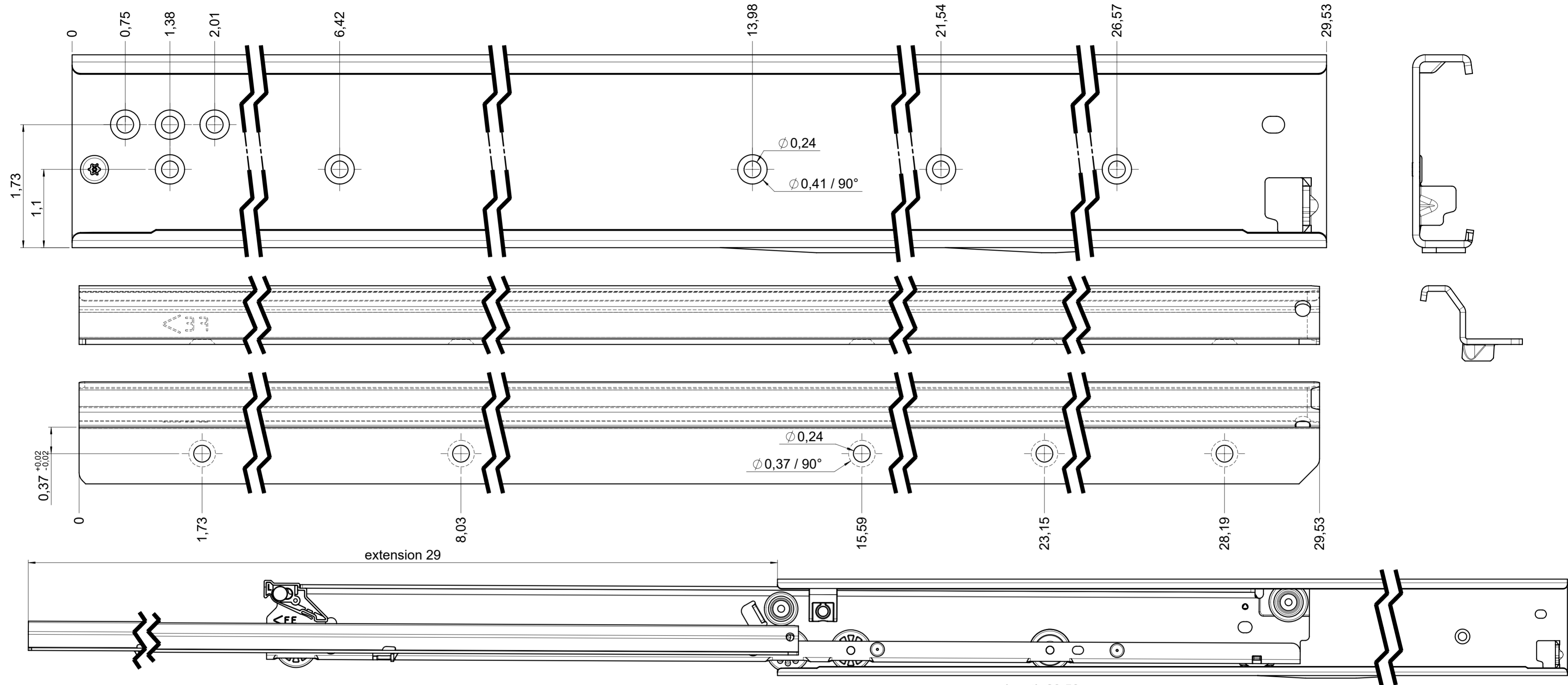


drawn left (right mirrorimage)

dimensions without coating / maximum coating allowed 0.1mm



**final approval**

customer name:

signed by:

date:

<b>all dimensions in inch</b>			DIN ISO 128-30 missing dimensions see 3D ⊕ = theor. intersection	
This drawing remains our property and may not be multiplied neither be disclosed to third parties (§§1,3 and 5 from the copyright Act (UrhG)) covered according to DIN ISO 16016				
(k) (l) (m) (n) (o) (p) (q) (r) (s) (t) (u) (v) (w) (x) (y) (z)	scale:	1:1	surface:	material, semi finished parts: <b>steel</b>
	drawn:	22-12-2022	name:	BM
	proven:	00-00-0000	description:	FR 7180 / 75 EN (inch) progressive-action full-extension drawerslide / bottom mount
	<b>Fulterer</b> Fulterer AG & Co KG A-6890 Lustenau / Austria Fulterer AG CH-9430 St. Margrethen			drawing number: <b>7180.0750-GA.0000</b> replaces version date:
ind.	changes	date	na.	A2