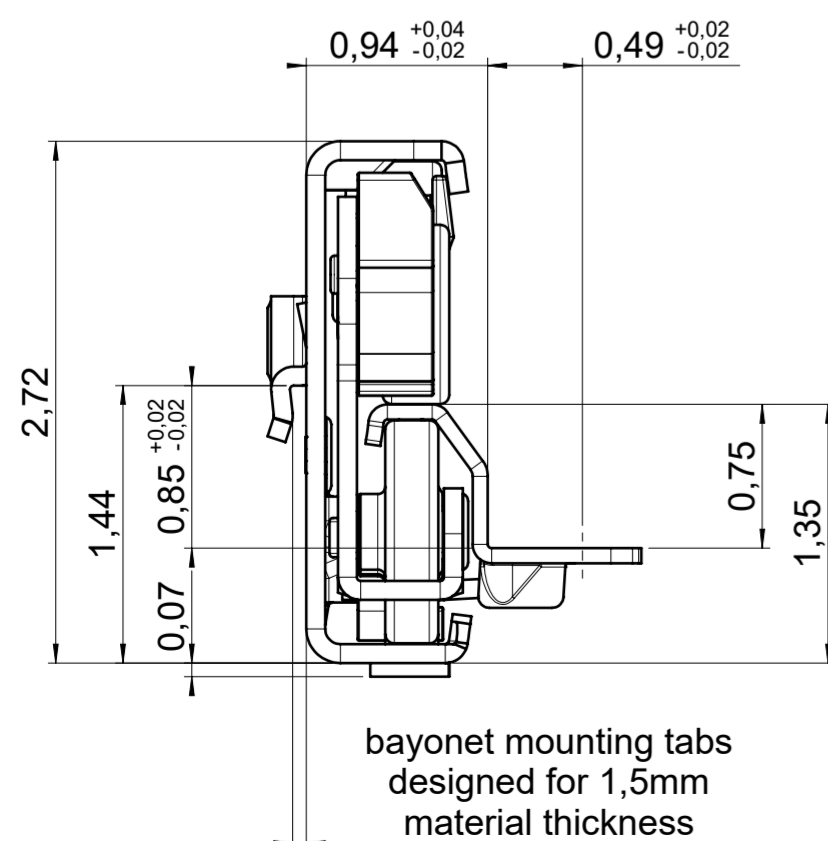
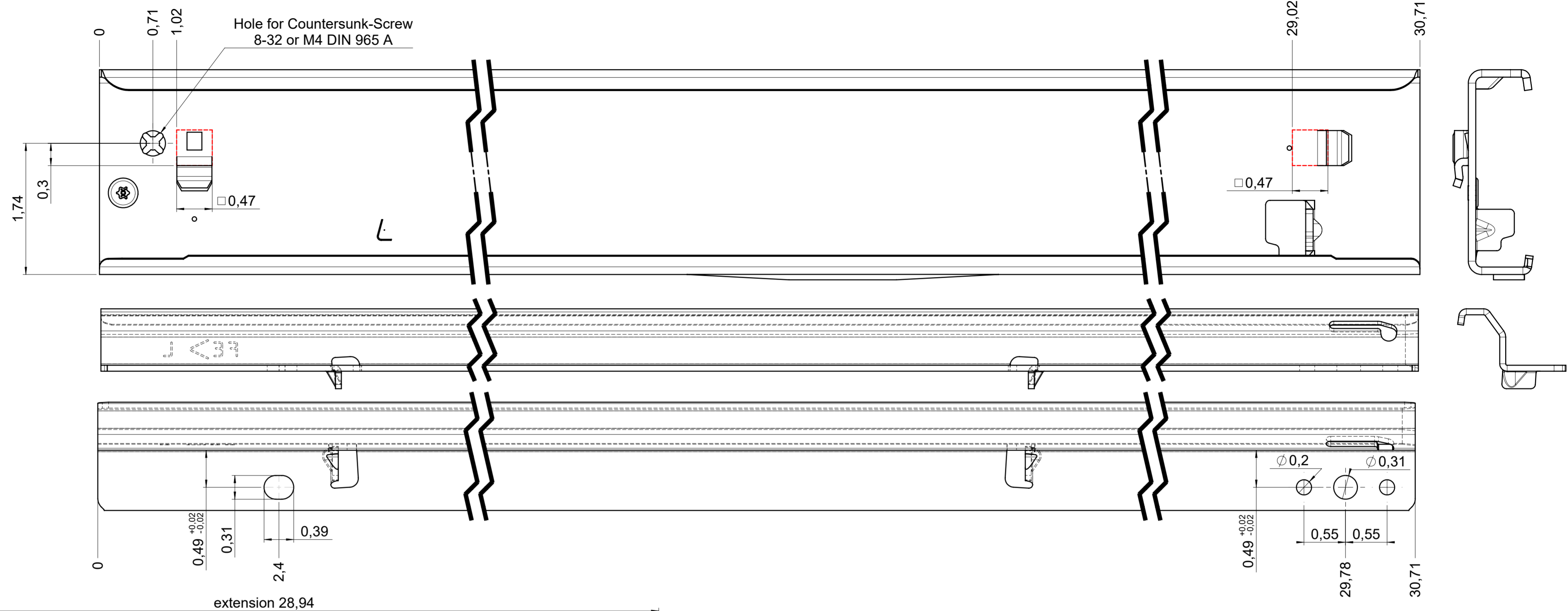


drawn left (right mirrorimage)

dimensions without coating / maximum coating allowed 0.1mm



final approval

customer name:

signed by:

date:

all dimensions in inch

DIN ISO 128-30
missing dimensions see 3D
= theor. intersection

| | | | | | | | |
|--|--|--|-------------------|---------------|--|---|--|
| This drawing remains our property and may not be multiplied neither be disclosed to third parties (§§1,3 and 5 from the copyright Act (UrhG)) covered according to DIN ISO 16016 | | | | scale: 1:1 | surface: | material, semi finished parts: steel (technical requirements Fulterer) | A2 |
| (k) | | | | date | name | description: FR 7180 / 75 EN (inch) progressive-action full-extension drawerslide / bottom mount | drawing number: 7180.750-GA.U017 replaces version date: |
| (l) | | | drawn 14-12-2022 | BM | | | |
| (m) | | | proven 00-00-0000 | 00 | | | |
| (n) | | | Fulterer | | Fulterer AG & Co KG A-6890 Lustenau / Austria | | |
| (o) | | | | | Fulterer AG CH-9430 St. Margrethen | | |
| (p) | | | ind. | changes | date | na. | |