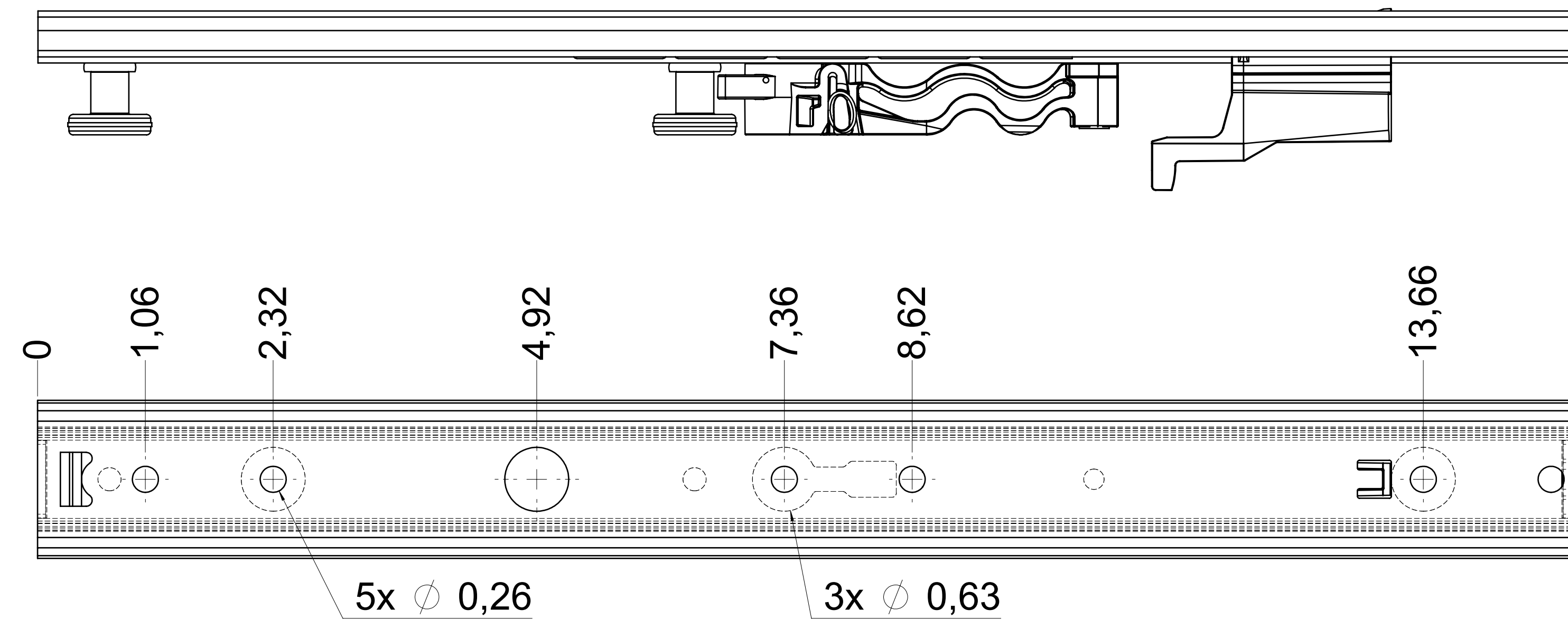


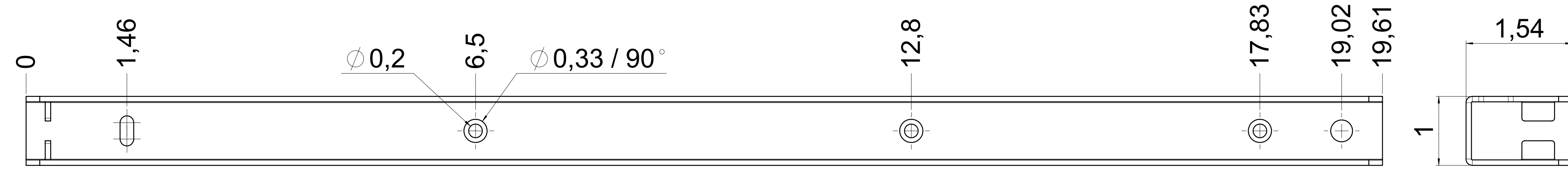
dimensions without coating / maximum coating allowed 0.1mm

X

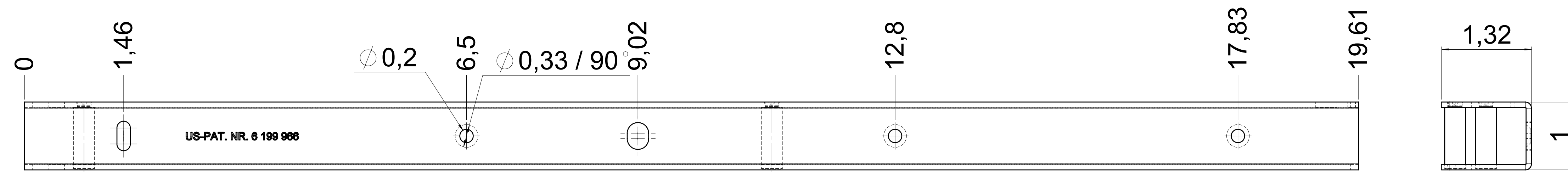
top guide cabinet profile



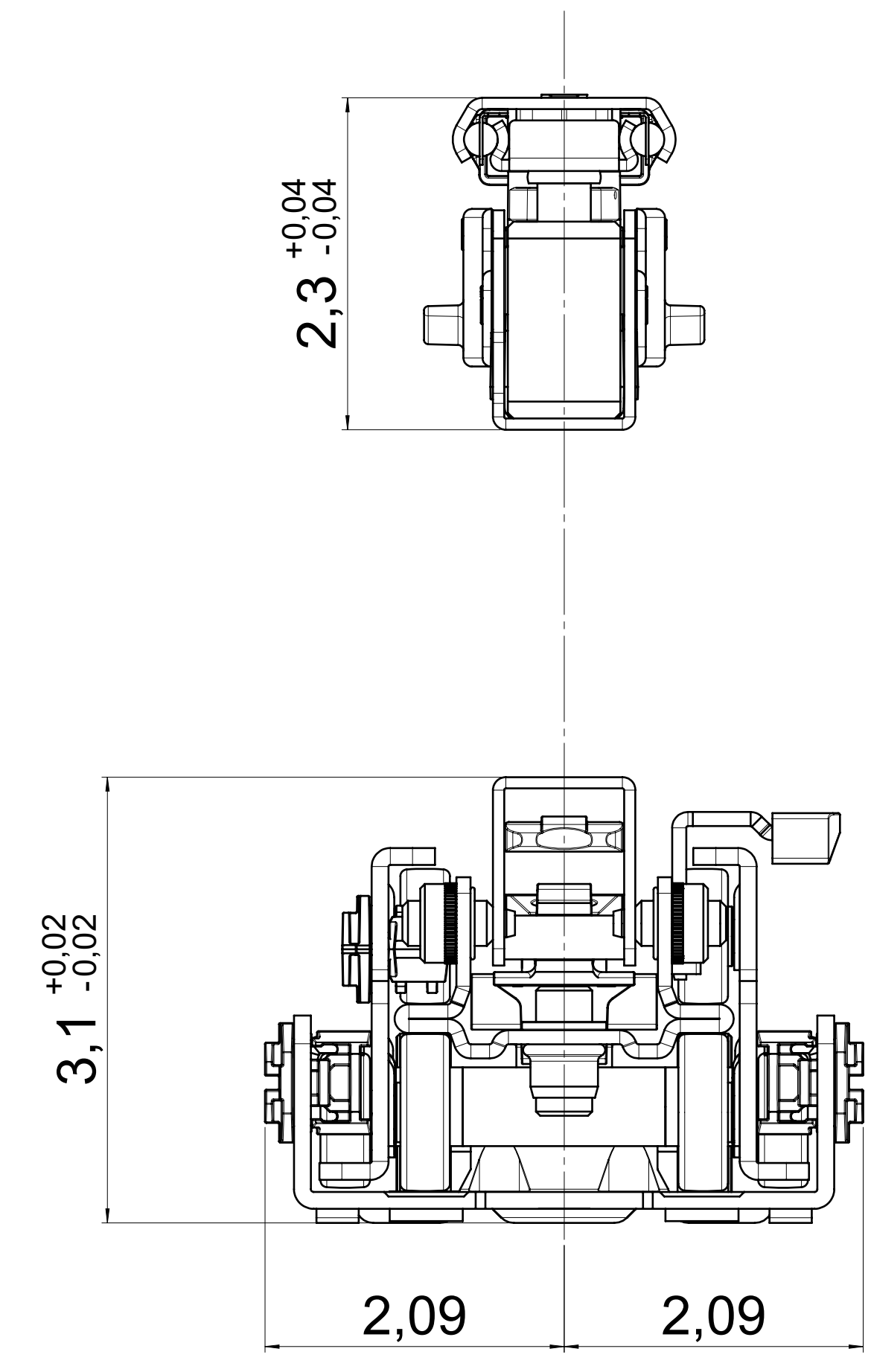
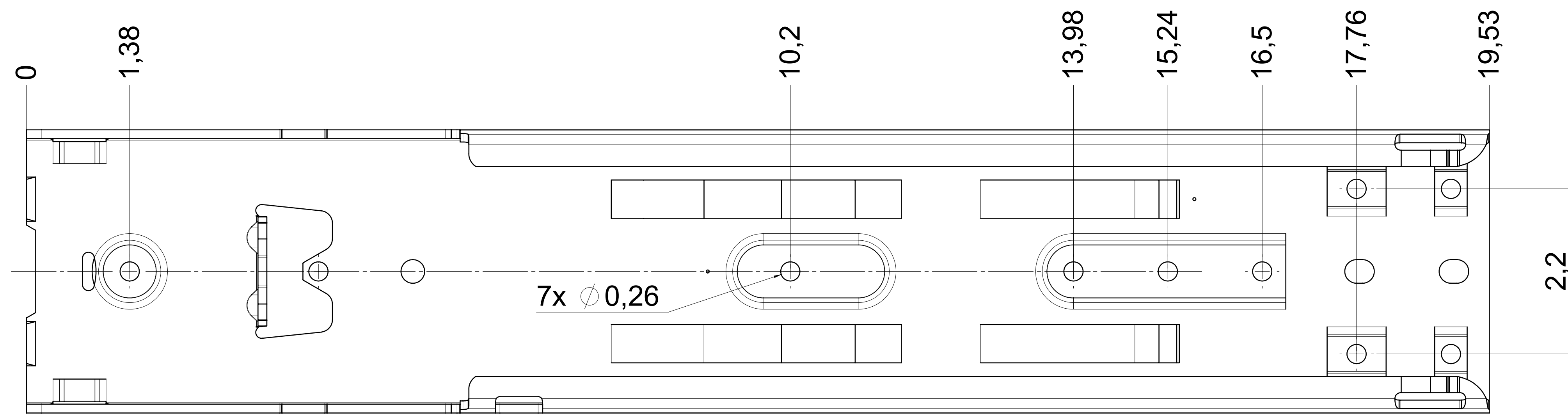
top guide drawer profile



bottom guide drawer profile



bottom guide cabinet profile



final approval

customer name:

signed by:

date:

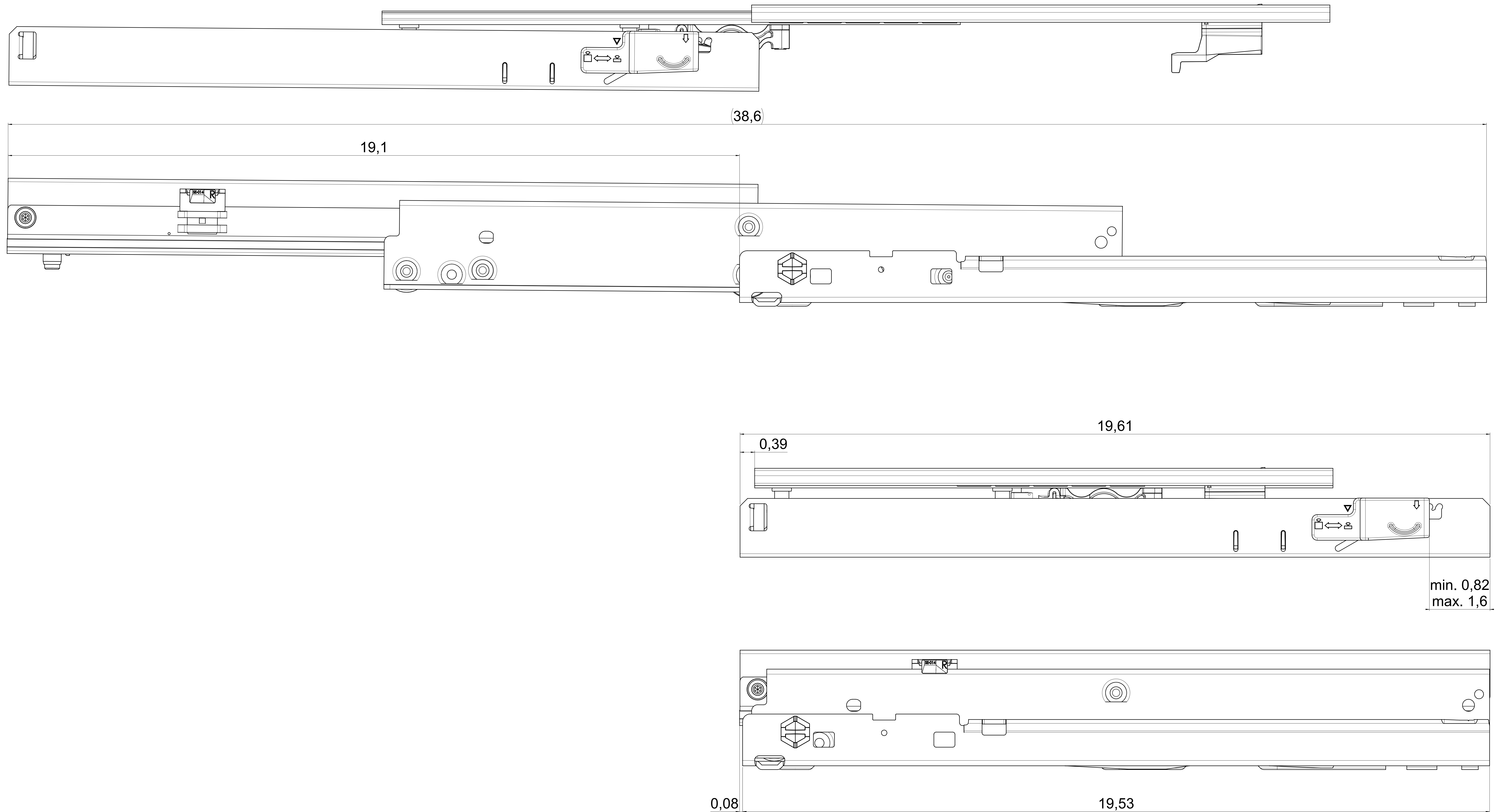
page 1 of 2

⚠ = check dimension, next free check number

all dimensions in inch		DIN ISO 128-30 missing dimensions see 3D = theor. intersection	
This drawing remains our property and may not be multiplied neither be disclosed to third parties (§§1,3 and 5 from the copyright Act (UrhG)) covered according to DIN ISO 16016			
scale:	1:1	surface:	steel
material:	semi finished parts	AO	
drawn:	07-12-2022	name:	GB
proven:	09-09-2020	description:	FR 771A / 50 - EN (inch)
		progressive-action full-extension drawerslide / bottom mount	
		drawing number:	
		771A.500-GA.0000	
		replaces version date:	
changes	date	na.	

dimensions without coating / maximum coating allowed 0.1mm

X



= check dimension , next free check number

**final approval**

customer name: \_\_\_\_\_

signed by: \_\_\_\_\_

date: \_\_\_\_\_

<b>all dimensions in inch</b>		DIN ISO 128-30 missing dimensions see 3D = theor. intersection	
This drawing remains our property and may not be disclosed to third parties (§§1,3 and 5 from the copyright Act (UrhG)) covered according to DIN ISO 16016			
scale:	1:1	surface:	steel (technical requirements Filterer)
drawn:	07-12-2022	name:	GB
proven:	00-00-0000	description:	FR 771A / 50 - EN (inch) progressive-action full-extension drawerslide / bottom mount
		drawing number:	771A.500-GA.0000
Filterer AG & Co KG A-6800 Lustenau / Austria		replaces version date:	
C4-8430 St. Margarethen			
changes	date	na.	