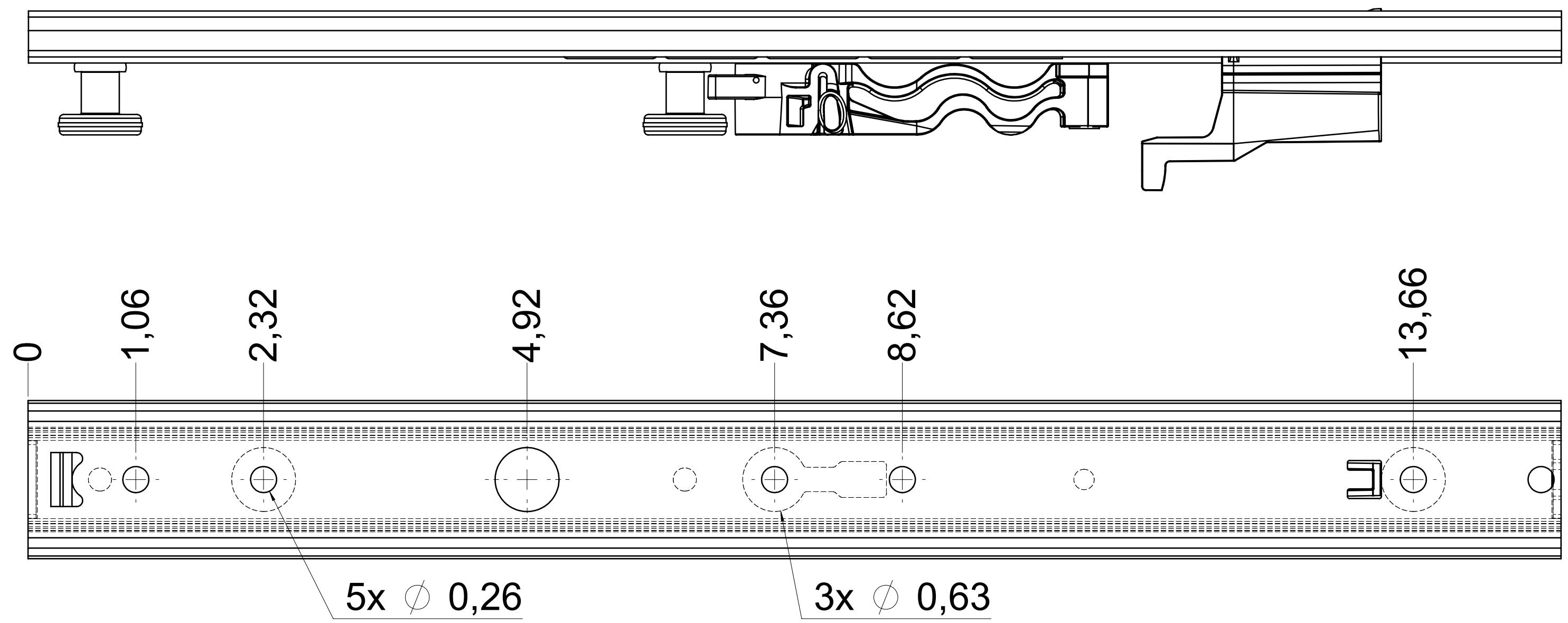
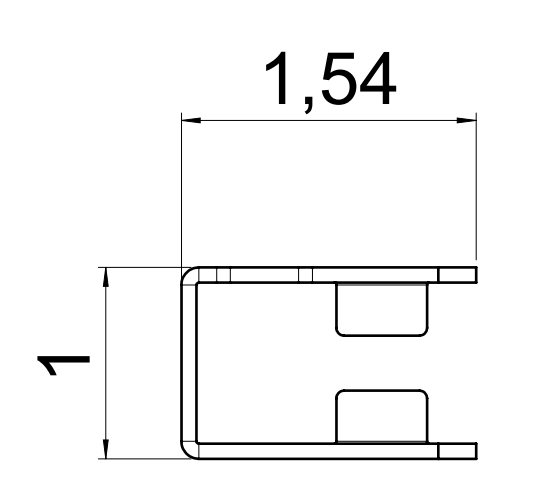
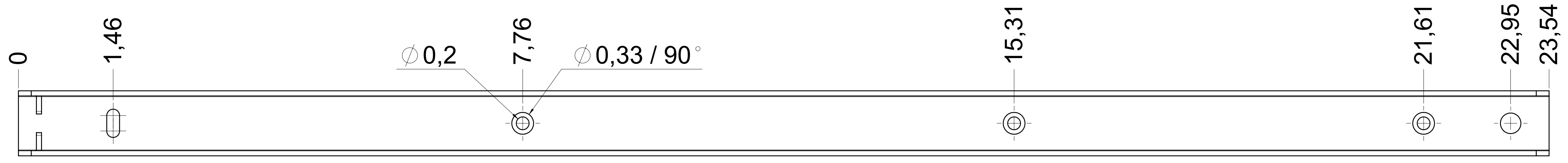


dimensions without coating / maximum coating allowed 0,1mm

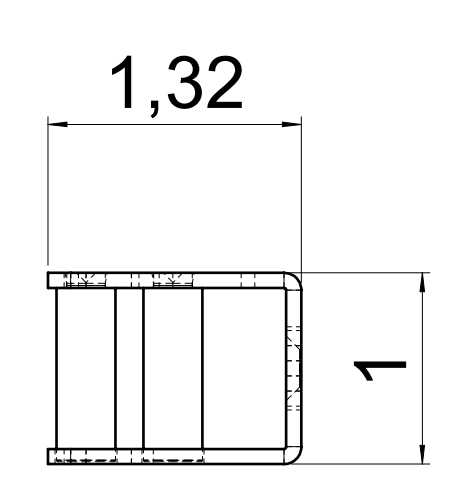
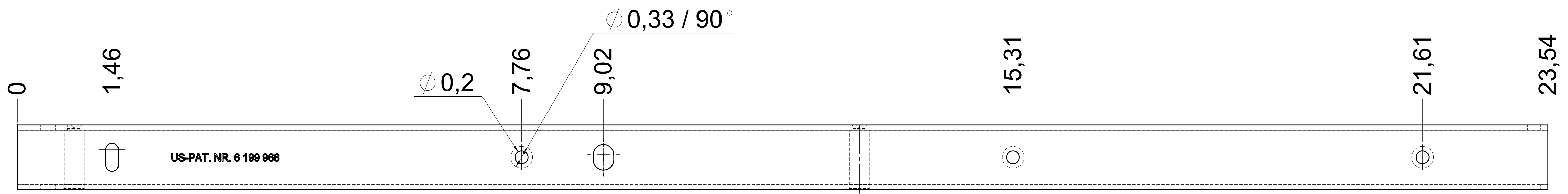
top guide cabinet profile



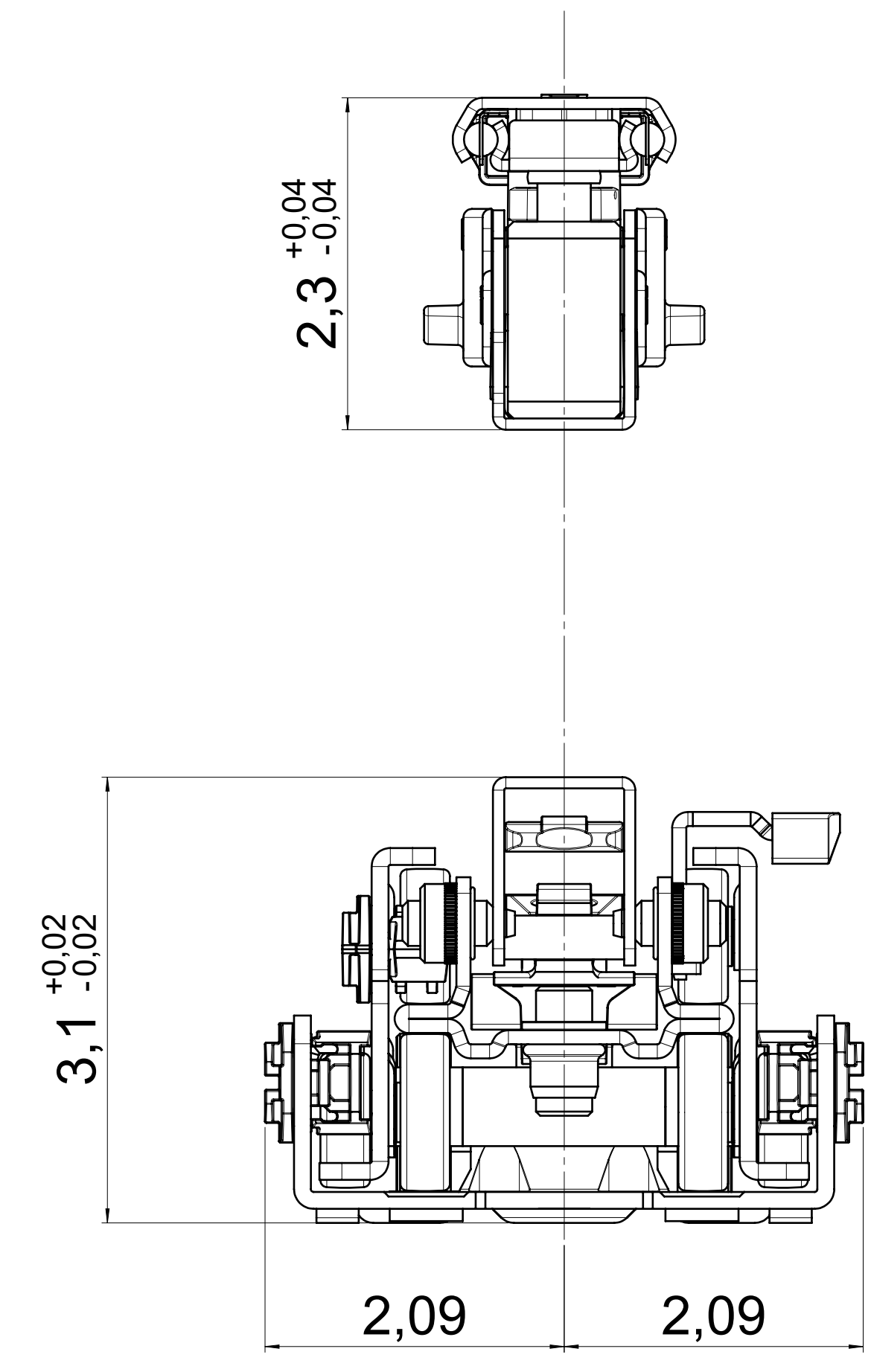
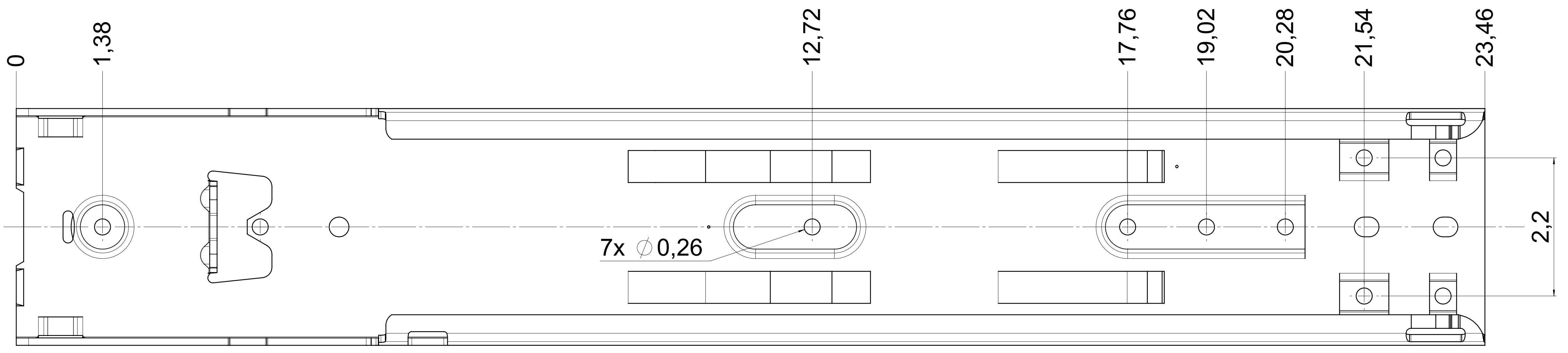
top guide drawer profile



bottom guide drawer profile



bottom guide cabinet profile



**final approval**

customer name: \_\_\_\_\_

signed by: \_\_\_\_\_

date: \_\_\_\_\_

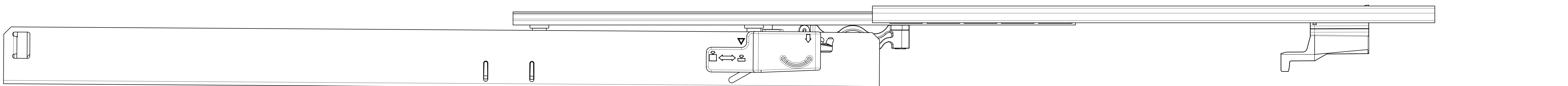
<p><b>all dimensions in inch</b></p> <p>This drawing remains our property and may not be disclosed to third parties (§§1,3 and 5 from the copyright Act (UrhG)). covered according to DIN ISO 16016</p>		<p>scale: 1:1</p> <p>surface: steel (technical requirements Filterer)</p>		<p>material: semi finished parts: AO</p>
<p>drawn: 07-12-2022</p> <p>proven: 09-09-2020</p>	<p>date: 07-12-2022</p> <p>name: GB</p>	<p>description: FR 771A / 60 - EN (inch) progressive-action full-extension drawerslide / bottom mount</p>	<p>drawing number: 771A.600-GA.0000</p> <p>replaces version date:</p>	<p>Filterer AG &amp; Co KG A-6890 Lustenau / Austria C14-8430 St. Margarethen</p>
<p>changes</p>	<p>date</p>	<p>na.</p>	<p>Friday, 15 February 2023 07:55:15</p>	<p>nicola beberger</p>

☒ = check dimension, next free check number ☒

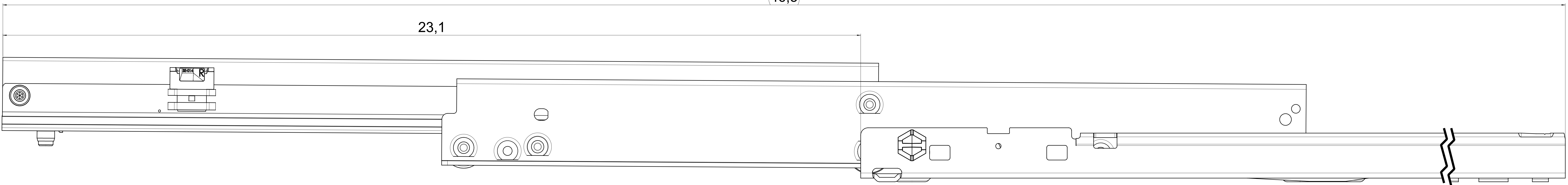
☒ DIN ISO 128-30 missing dimensions see 3D = theor. intersection

dimensions without coating / maximum coating allowed 0.1mm

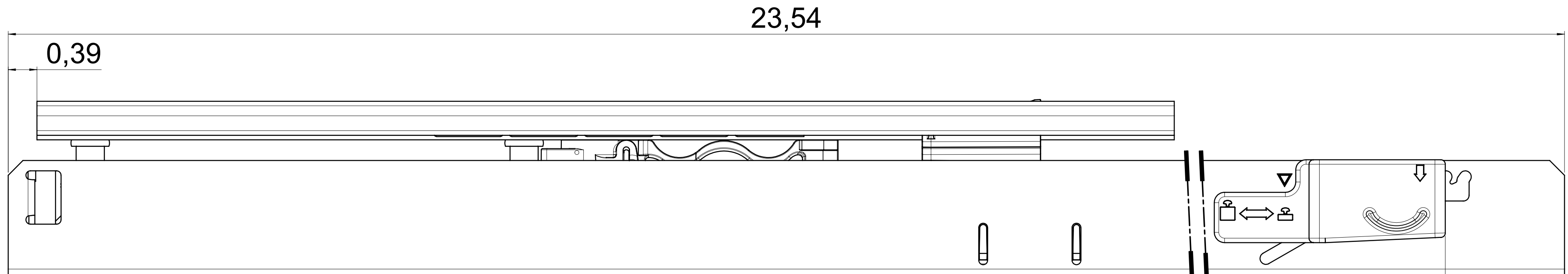
X



46,5



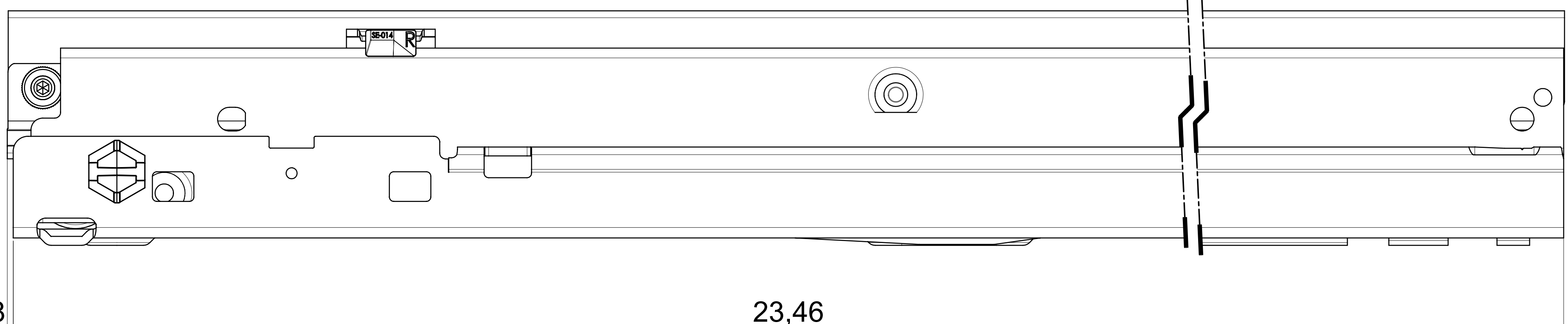
23,1



23,54

0,39

min. 0,82  
max. 1,6



0,08

23,46

**final approval**

customer name: \_\_\_\_\_

signed by: \_\_\_\_\_

date: \_\_\_\_\_

<p><b>all dimensions in inch</b></p> <p><small>This drawing remains our property and may not be multiplied neither be disclosed to third parties (§§1,3 and 5 from the copyright Act (UrhG)) covered according to DIN ISO 15016</small></p>		<p><small>scale:</small> 1:1</p> <p><small>surface:</small> steel</p> <p><small>material:</small> semi finished parts</p>	<p><small>DIN ISO 128-30</small></p> <p><small>missing dimensions see 3D</small></p> <p><small>= theor. intersection</small></p>
<p><small>drawn</small> 07-12-2022</p> <p><small>proven</small> 09-09-2022</p>	<p><small>date</small></p> <p><small>name</small></p>	<p><small>description:</small></p> <p>FR 771A / 60 - EN (inch)</p> <p>progressive-action full-extension</p> <p>drawerslide / bottom mount</p>	<p><small>drawing number:</small></p> <p>771A.600-GA.0000</p> <p><small>replaces version date:</small></p>
<p><b>Filterer AG &amp; Co KG</b></p> <p><small>A-6890 Lustenau / Austria</small></p> <p><small>CH-8430 St. Margrethen</small></p>		<p><b>Filterer AG</b></p> <p><small>replaces version date:</small></p>	
<p><small>changes</small></p>	<p><small>date</small></p>	<p><small>na.</small></p>	<p><small>includes label</small></p>