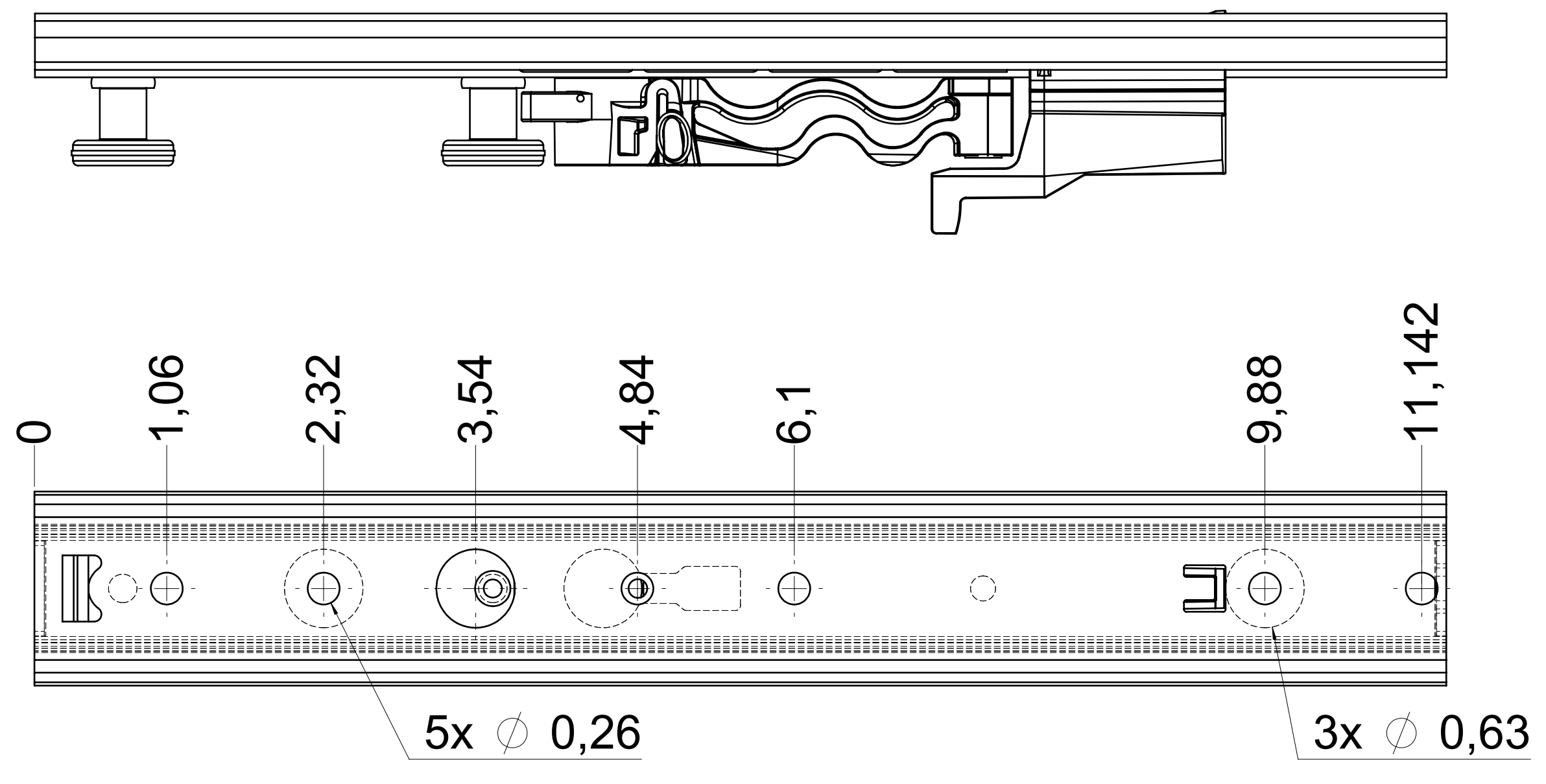


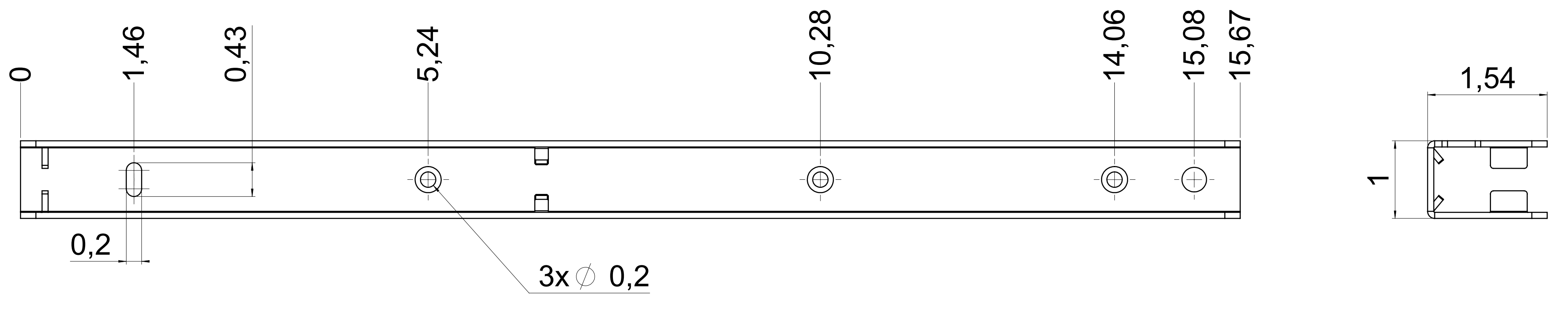
dimensions without coating / maximum coating allowed 0,1mm

X

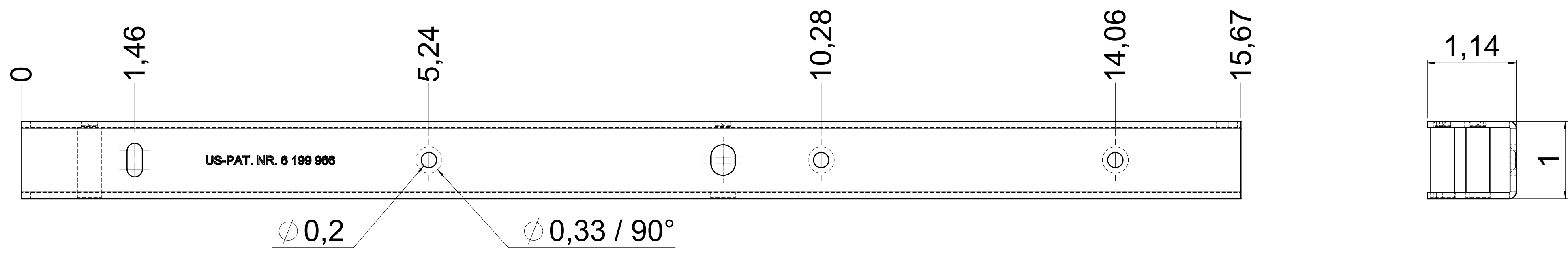
top guide cabinet profile



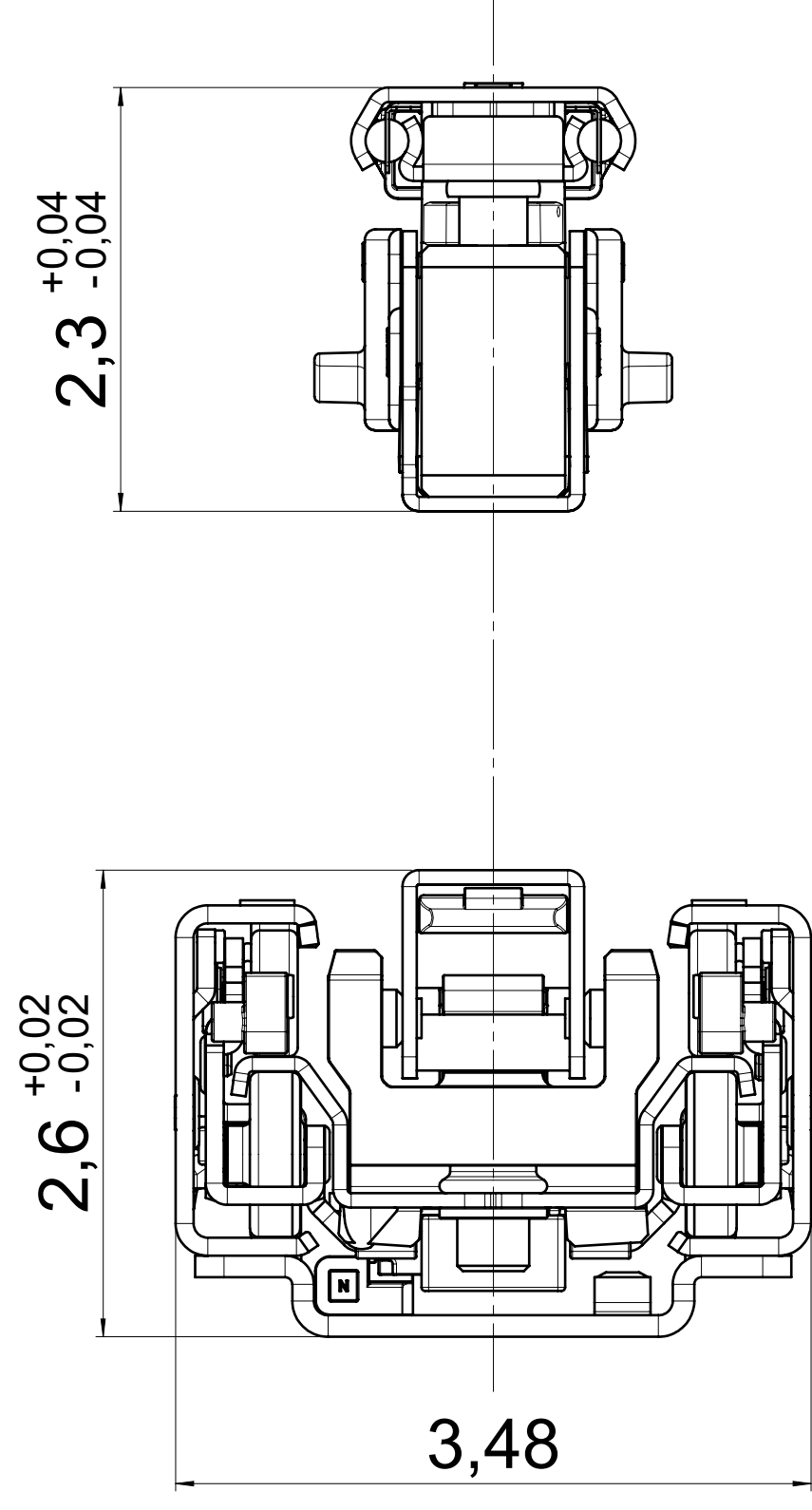
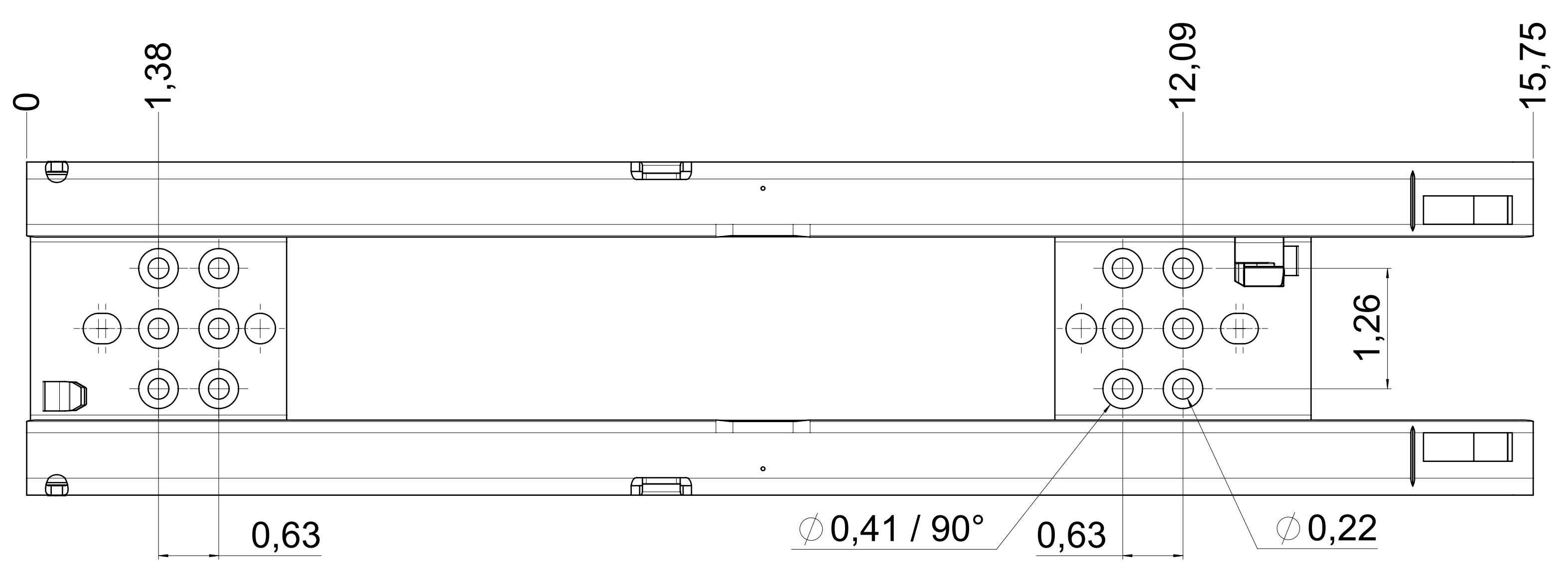
top guide drawer profile



bottom guide drawer profile



bottom guide cabinet profile



final approval

customer name:

signed by:

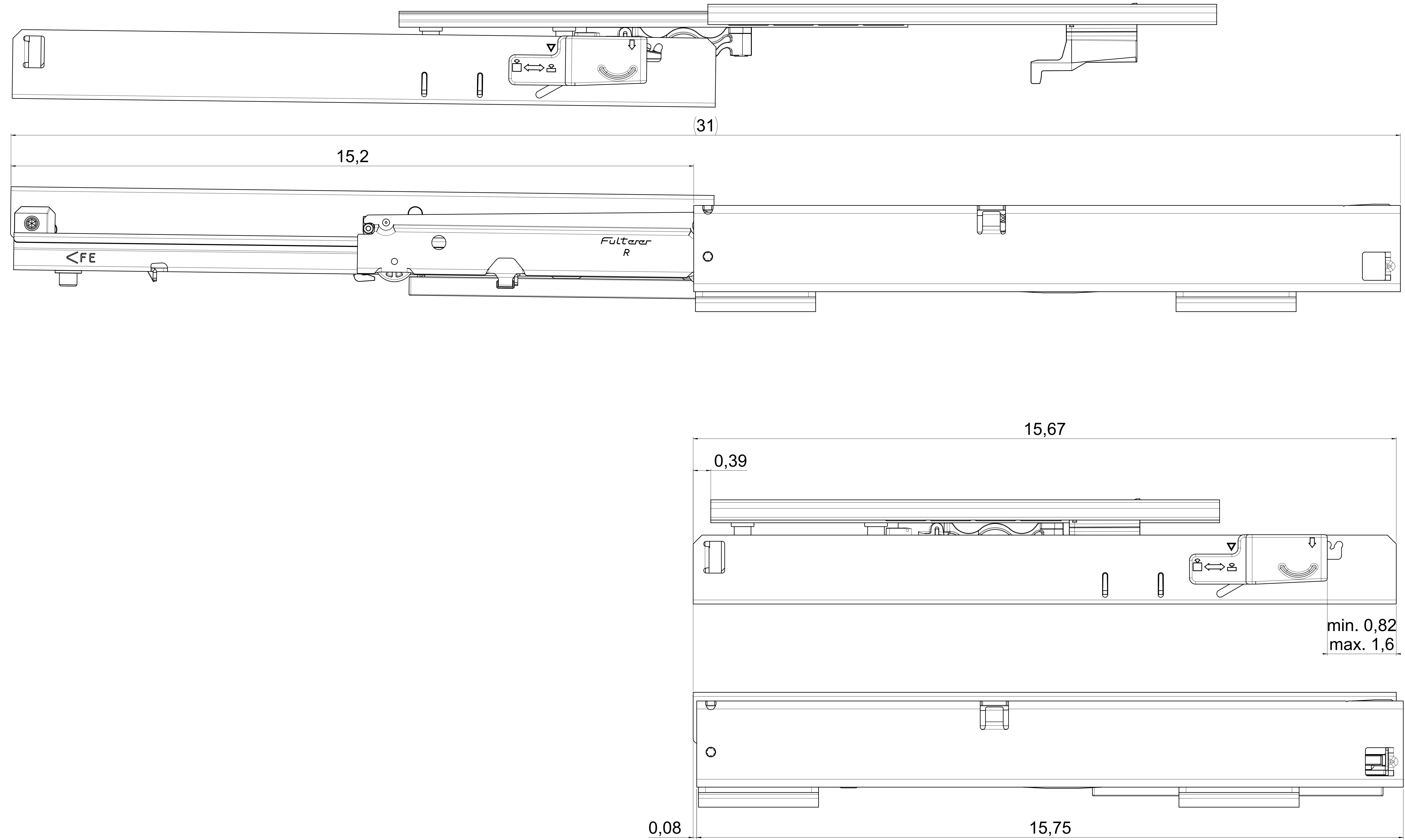
date:

⚠ = check dimension, next free check number

| all dimensions in inch | | DIN ISO 128-30 | |
|--|------------|--|---|
| missing dimensions see 3D | | = theor. intersection | |
| This drawing remains our property and may not be multiplied neither be disclosed to third parties (§§1,3 and 5 from the copyright Act (UrhG)). | | | |
| covered according to DIN ISO 16016 | scale: 1:1 | surface: | material: steel (technical requirements Filterer) |
| drawn: 07-12-2022 | date: | name: | description: FR 775A / 40 - EN (inch) |
| proven: 09-09-2022 | date: | name: | description: progressive-action full-extension drawerslide / bottom mount |
| | | drawing number: 775A.400-GA.0000 replaces version 03/16 | |
| changes | date | na. | initials |

dimensions without coating / maximum coating allowed 0.1mm

X



final approval

customer name: _____

signed by: _____

date: _____

page 2 of 2 ⚠ = check dimension , next free check number ⚠

all dimensions in inch

© DIN ISO 128-30
missing dimensions see 3D
= theor. intersection

This drawing remains our property and may not be multiplied neither be disclosed to third parties (§§1,3 and 5 from the copyright Act (UrhG))
covered according to DIN ISO 16016

| | | | |
|-------------------|--------------------------|-------------------|--|
| scale: | 1:1 | surface: | steel |
| material: | semi finished parts | material: | steel |
| description: | FR 775A / 40 - EN (inch) | description: | progressive-action full-extension drawerslide / bottom mount |
| drawing number: | 775A.400-GA.0000 | drawing number: | 775A.400-GA.0000 |
| replaces version: | 03/16 | replaces version: | 03/16 |

Fullterer AG & Co KG
A-6800 Lustenau / Austria
CH-8430 St. Margrethen

Changes table:

| no. | changes | date | na. |
|-----|---------|------|-----|
| | | | |

Created: 01. Januar 2023 15:14:28
Inch: 1/16