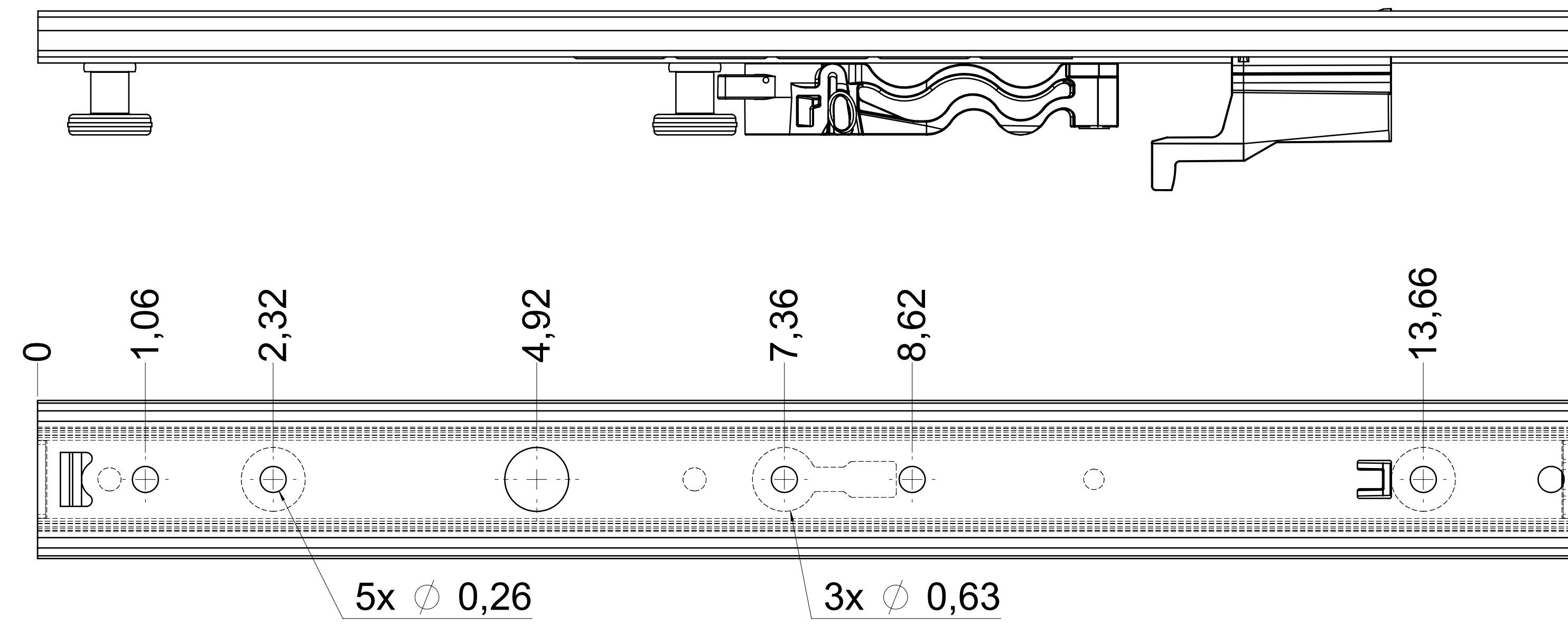


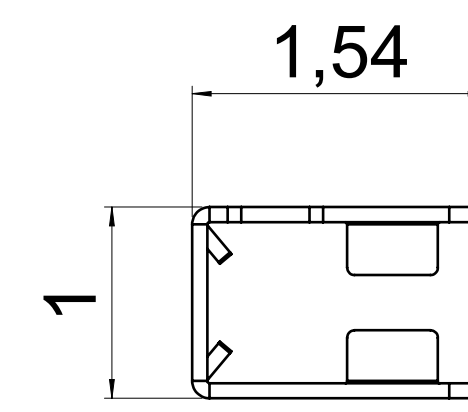
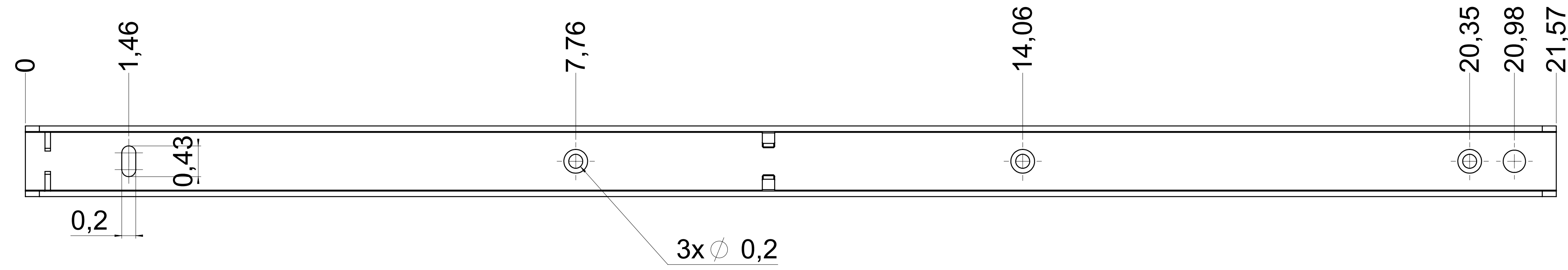
dimensions without coating / maximum coating allowed 0.1mm

X

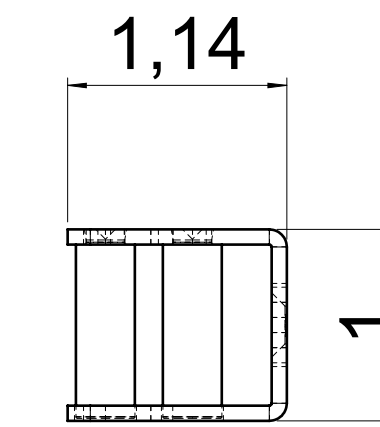
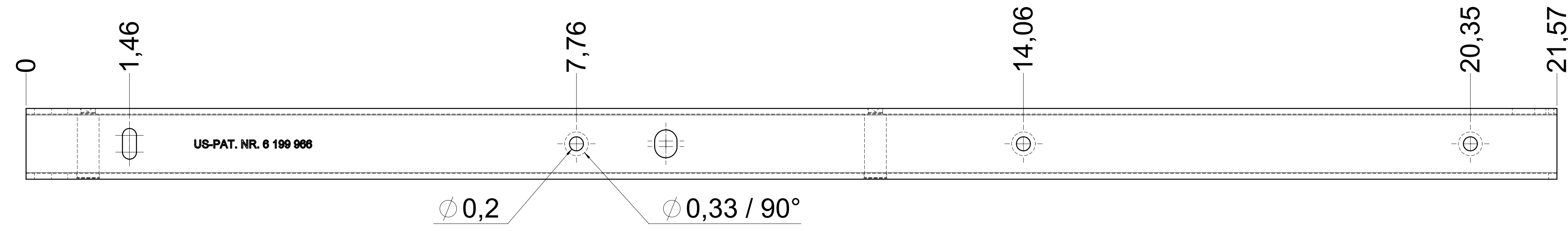
top guide cabinet profile



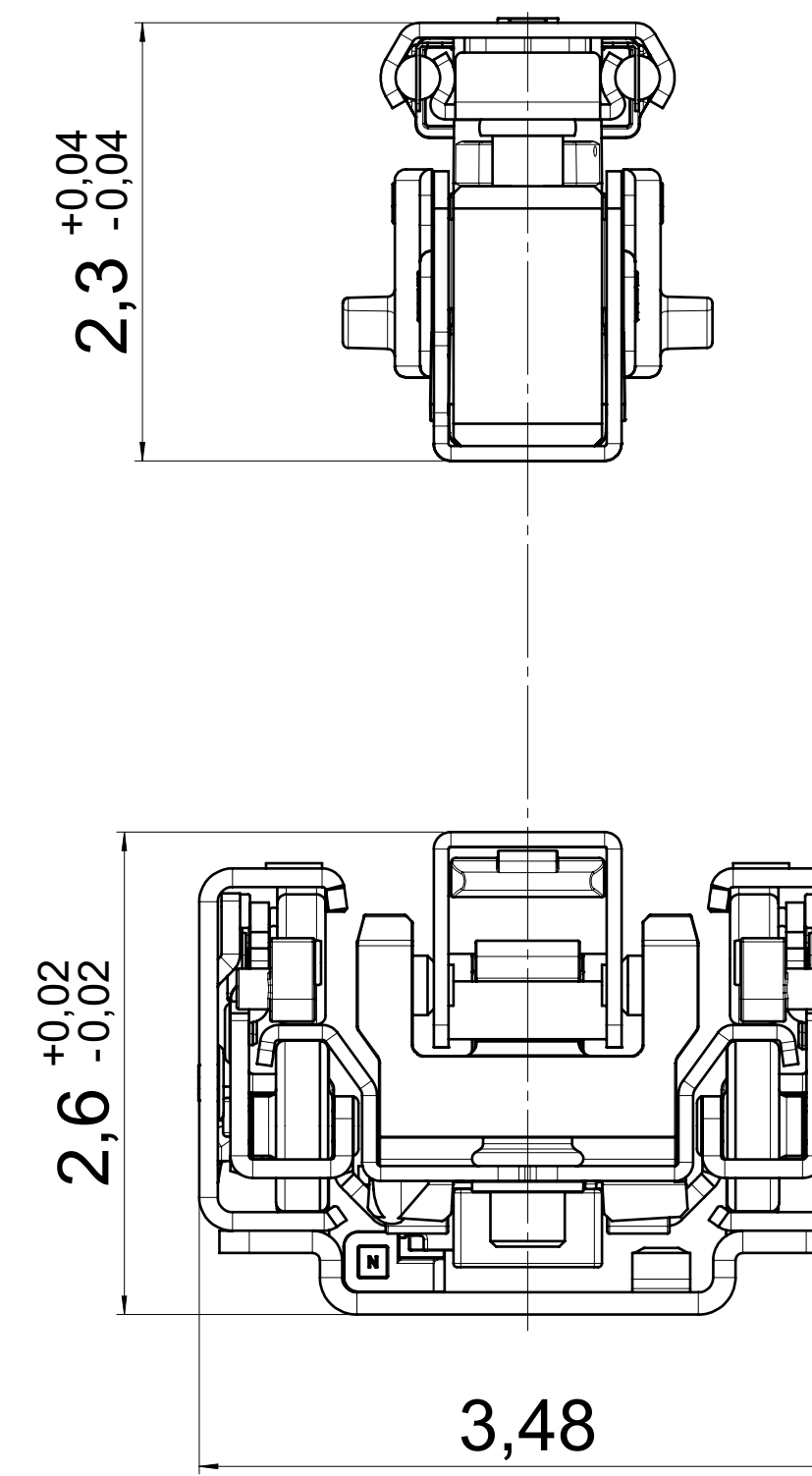
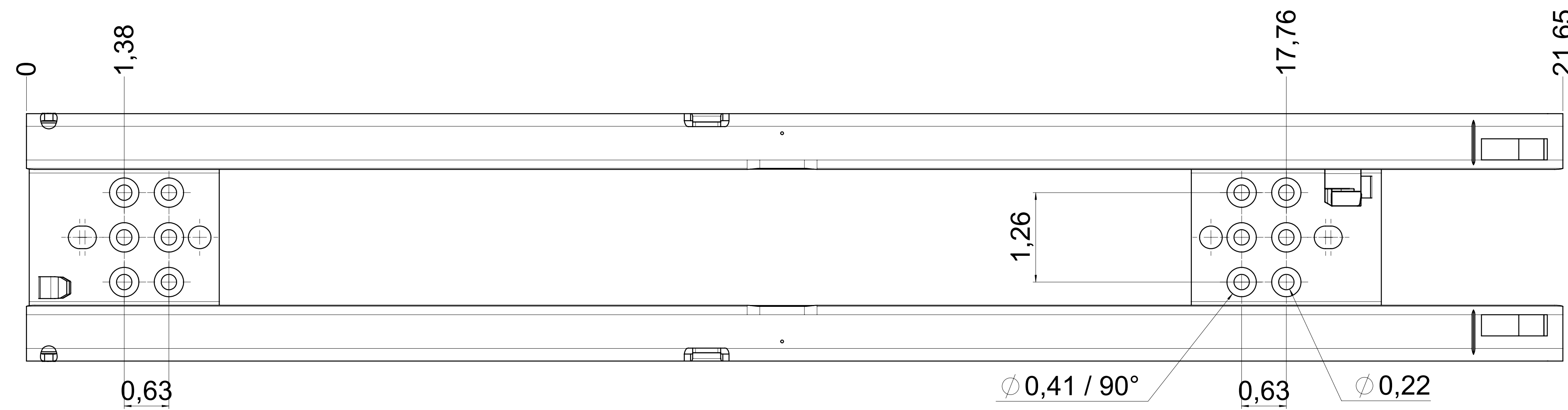
top guide drawer profile



bottom guide drawer profile



bottom guide cabinet profile



final approval

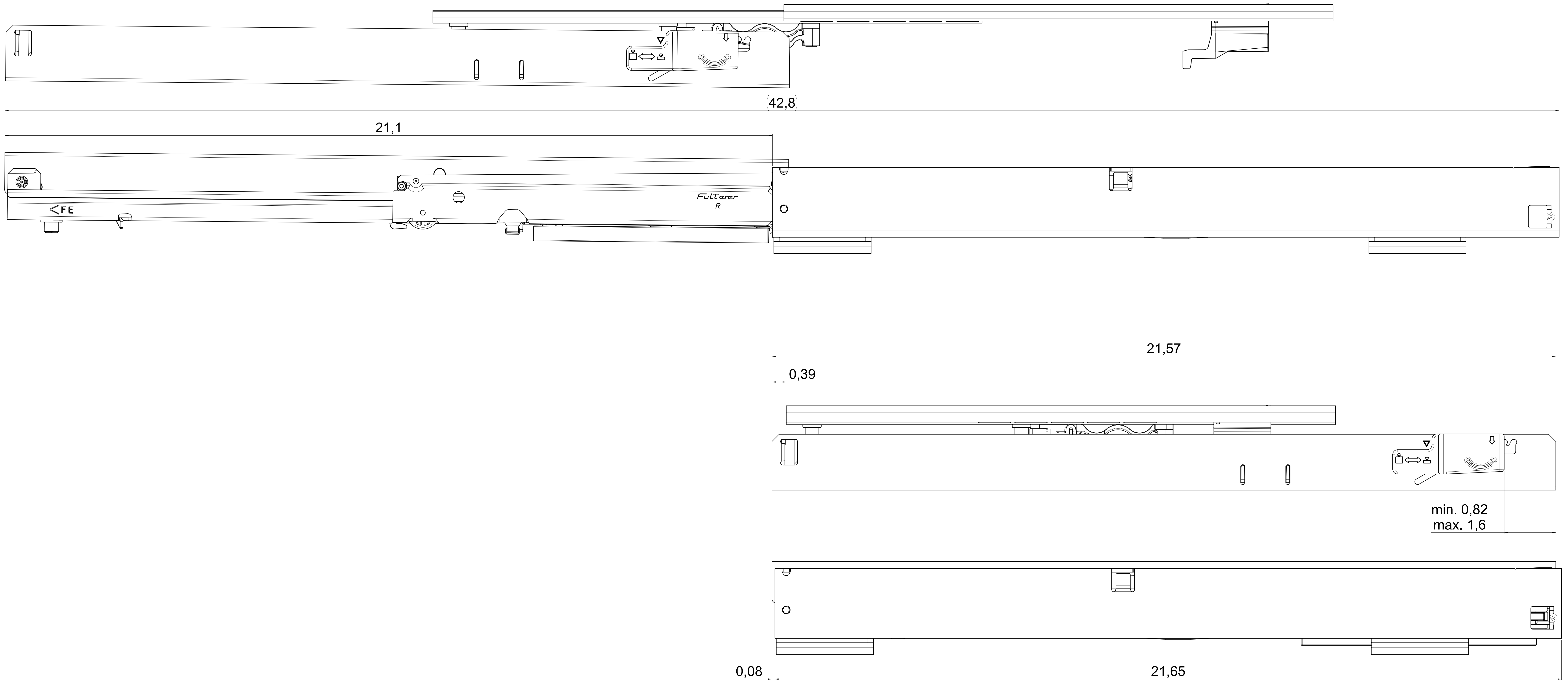
customer name:  
 signed by:  
 date:

all dimensions in inch

This drawing remains our property and may not be disclosed to third parties (§§1,3 and 5 from the copyright Act (UrhG)). covered according to DIN ISO 15015		scale: 1:1	surface: steel (technical requirements Filterer)	material: semi finished parts: AO
drawn: 07-12-2022	name: GB	description: FR 775A / 55 - EN (inch) progressive-action full-extension drawerslide / bottom mount	drawing number: 775A.550-GA.0000	
proven: 09-09-2020	name: 00	replaces version 0316:		
changes	date	na.		

dimensions without coating / maximum coating allowed 0.1mm

X



**final approval**

customer name:

signed by:

date:

⚠ = check dimension , next free check number ⚠

<p><b>all dimensions in inch</b></p> <p>This drawing remains our property and may not be multiplied neither be disclosed to third parties (§§1,3 and 5 from the copyright Act (UrhG)). covered according to DIN ISO 15016</p>		<p>DIN ISO 128-30 missing dimensions see 3D = theor. intersection</p>
<p>scale: 1:1</p>	<p>surface: steel</p>	<p>material: semi finished parts: AO</p>
<p>drawn: 07-12-2022 GB</p>	<p>name: GB</p>	<p>description: FR 775A / 55 EN (inch)</p>
<p>proven: 09-09-2022 00</p>	<p>name: 00</p>	<p>description: progressive-action full-extension drawerslide / bottom mount</p>
<p><b>Fulterer</b></p>		<p>drawing number: 775A.550-GA.0000</p>
<p>Fulterer AG &amp; Co KG A-6800 Lustenau / Austria CH-8430 St. Margrethen</p>		<p>replaces version 6816:</p>
<p>changes</p>	<p>date</p>	<p>na.</p>