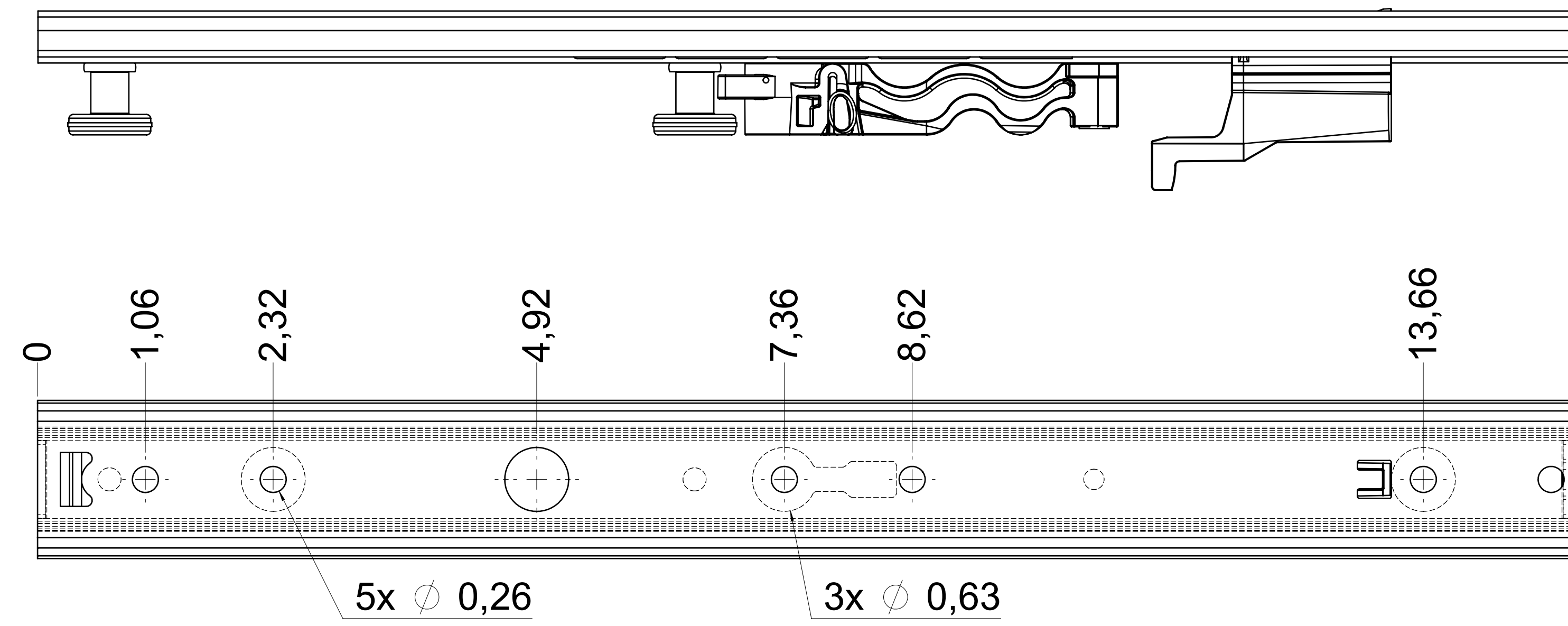


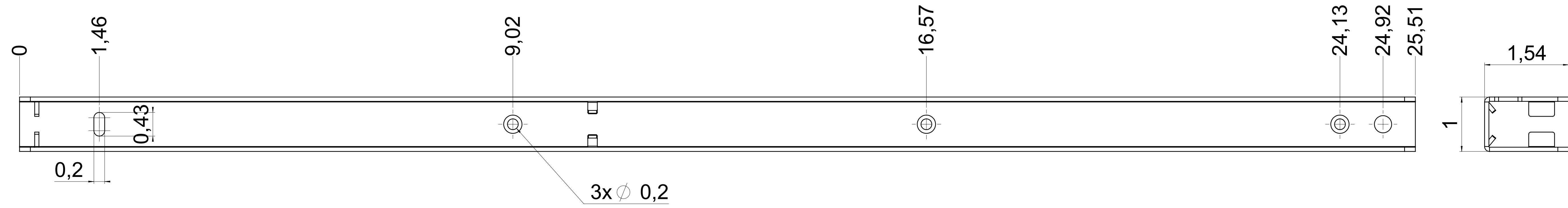
dimensions without coating / maximum coating allowed 0.1mm

X

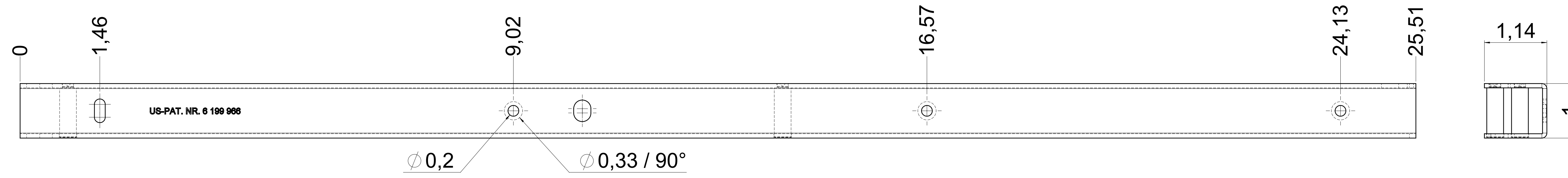
top guide cabinet profile



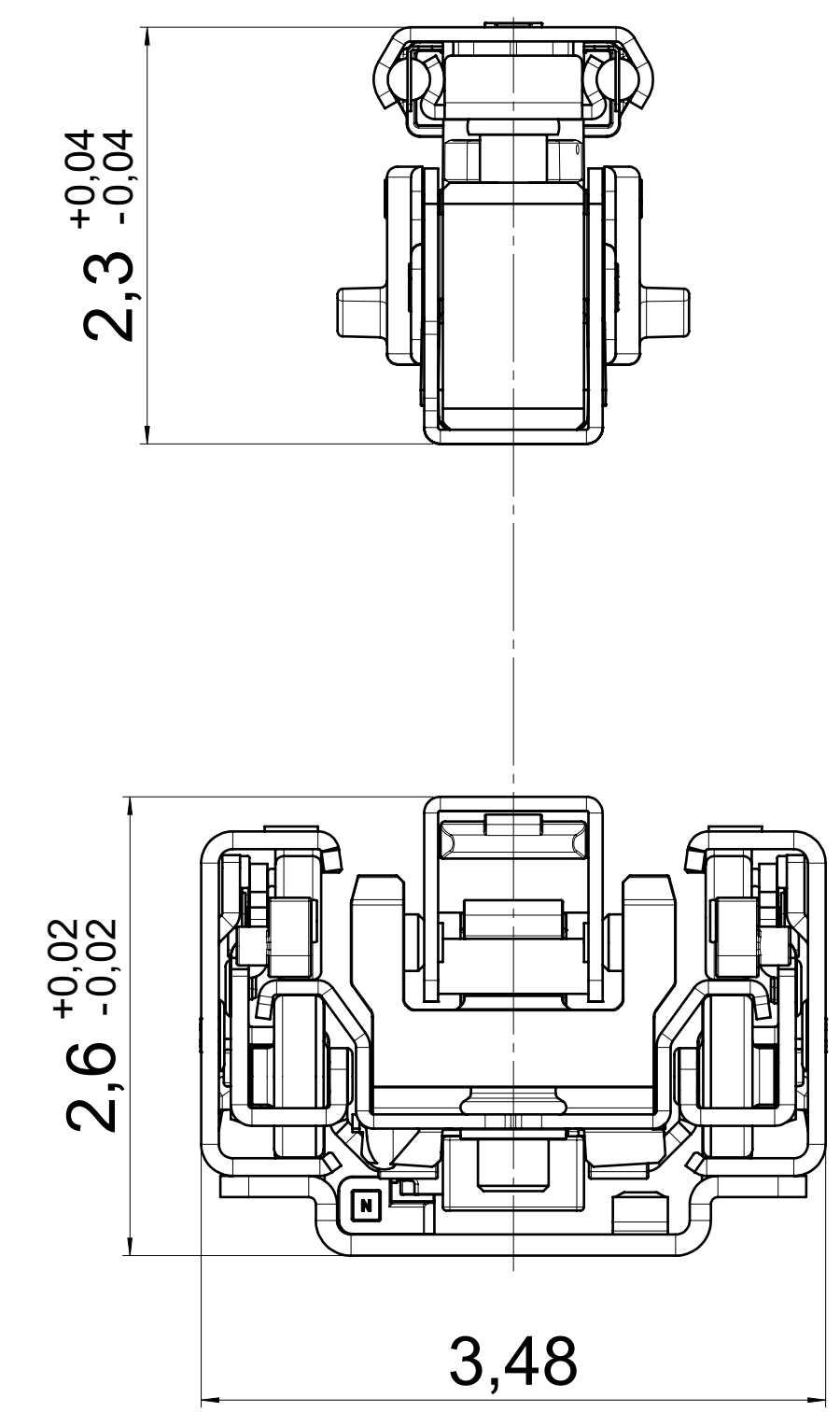
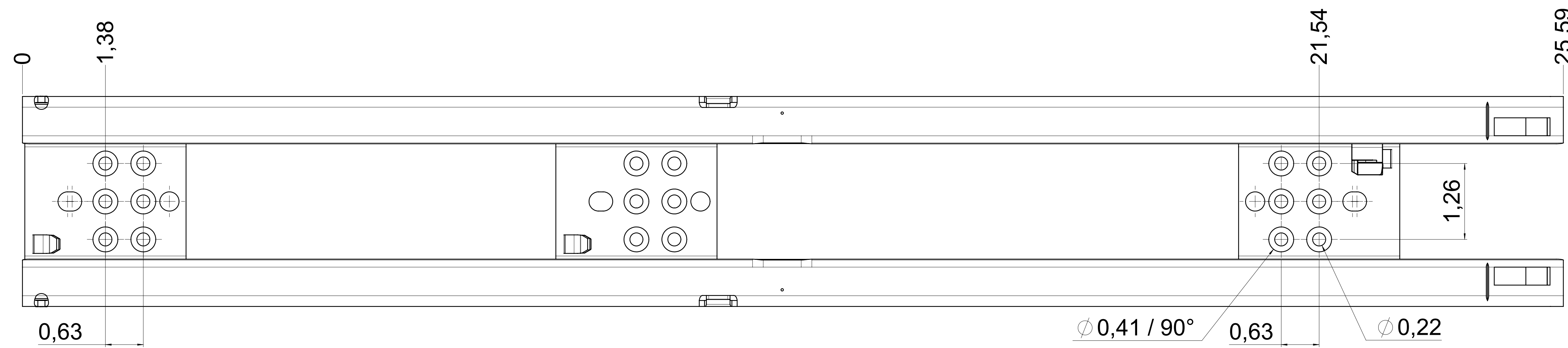
top guide drawer profile



bottom guide drawer profile



bottom guide cabinet profile



⚠ = check dimension, next free check number

**final approval**

customer name:

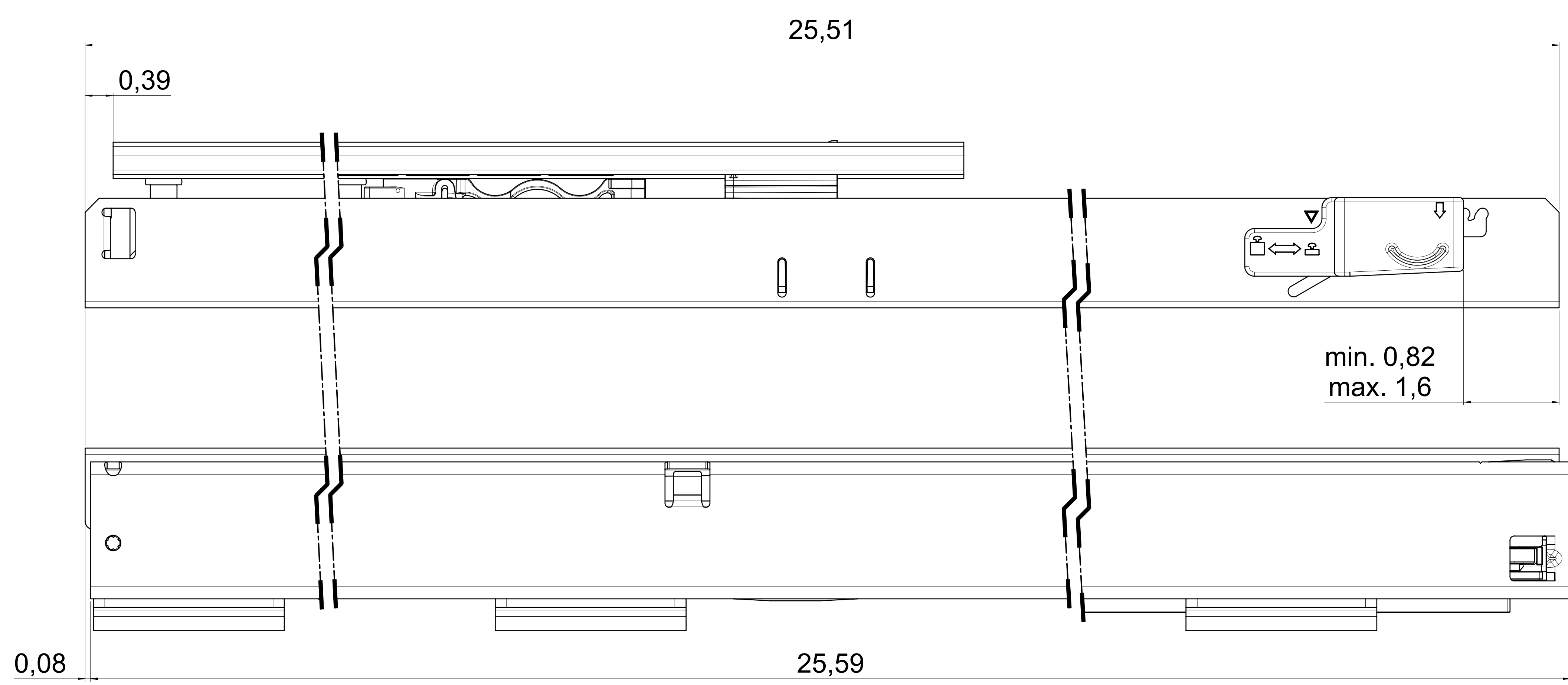
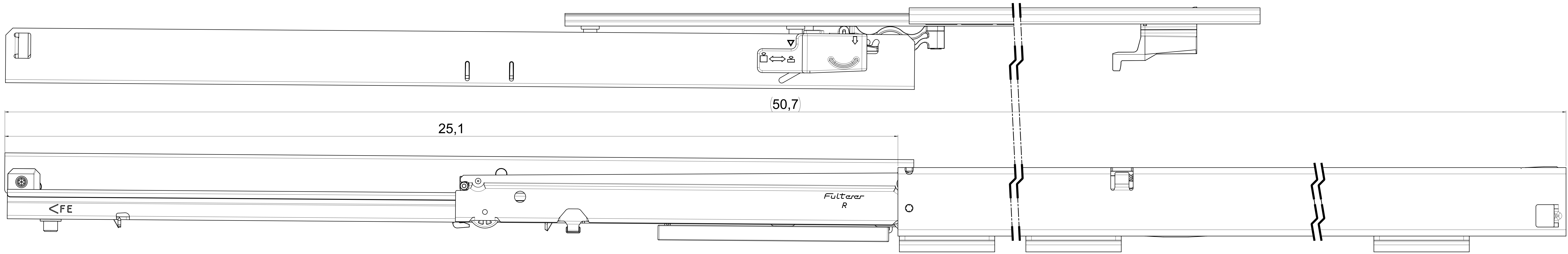
signed by:

date:

all dimensions in inch				DIN ISO 128-30 missing dimensions see 3D = theor. intersection	
This drawing remains our property and may not be disclosed to third parties (§§1,3 and 5 from the copyright Act (UrhG)) covered according to DIN ISO 15015				scale:	surface:
				1:1	steel
				(technical requirements Filterer)	
				material: semi finished parts	
				description:	
				FR 775A / 65 - EN (inch)	
				progressive-action full-extension	
				drawerslide / bottom mount	
				drawing number:	
				775A.650-GA.0000	
				replaces version 03/02	
changes	date	na.			

dimensions without coating / maximum coating allowed 0.1mm

X



**final approval**  
 customer name:  
 signed by:  
 date:

page 2 of 2 ⚠ = check dimension , next free check number ⚠

This drawing remains our property and may not be multiplied neither be disclosed to third parties (§§1,3 and 5 from the copyright Act (UrhG)) covered according to DIN ISO 15016		scale: 1:1	surface: steel (technical requirements Filterer)	material: semi finished parts	DIN ISO 128-30 missing dimensions see 3D = theor. intersection
01 02 03 04 05 06 07 08 09 10 11 12 13 14 15 16 17 18 19 20 21 22 23 24 25 26 27 28 29 30 31 32 33 34 35 36 37 38 39 40 41 42 43 44 45 46 47 48 49 50	date name description	drawn 07-12-2022 GB proven 00-00-0000 00	FR 775A / 65 - EN (inch) progressive-action full-extension drawerslide / bottom mount	drawing number: 775A.650-GA.0000 replaces version 0416	AO
changes date na.	Friday, 01. June 2023 15:37:11 nicola beberger	Filterer AG & Co KG A-6800 Lustenau / Austria Filterer AG CH-8430 St. Margrethen	Filterer	AO	AO