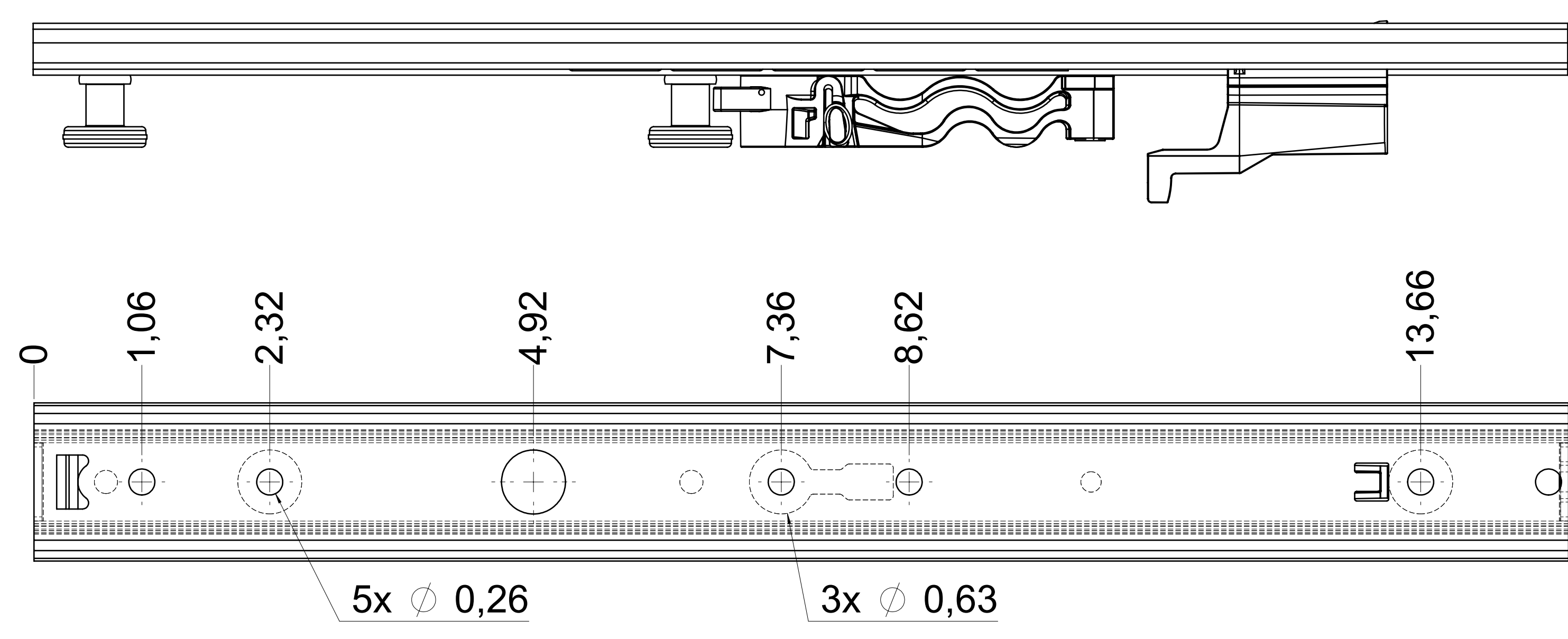
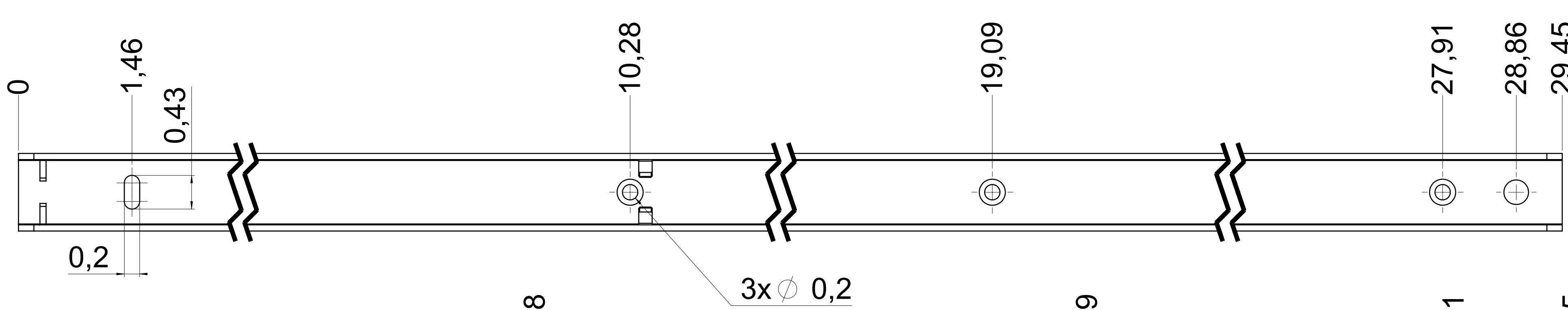


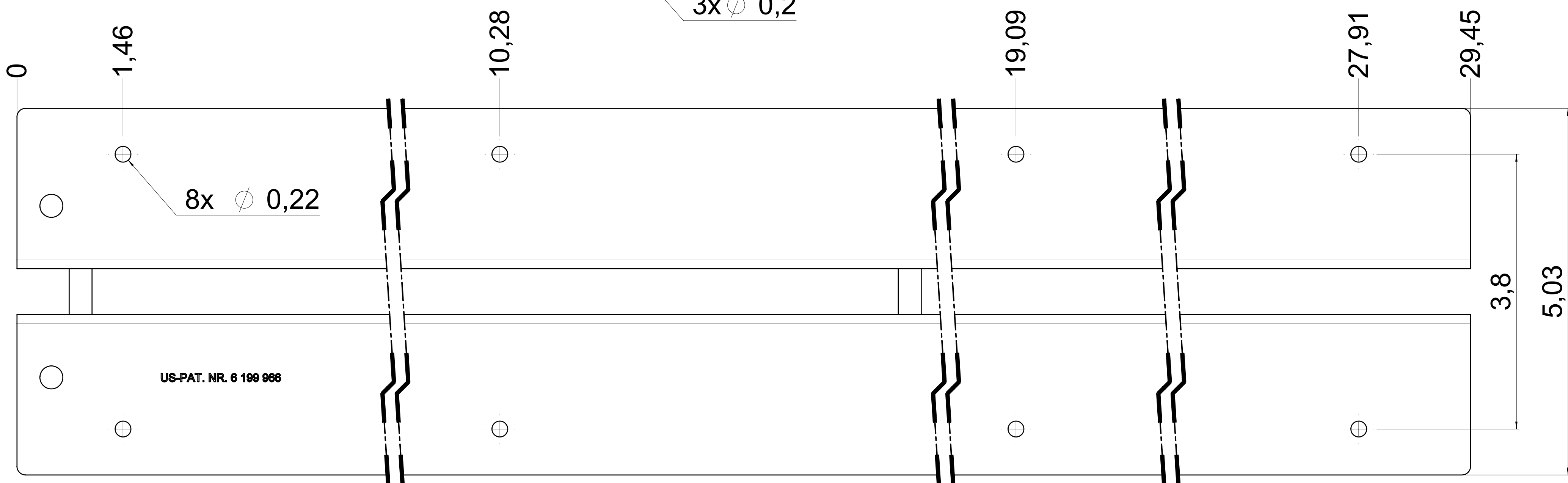
top guide cabinet profile



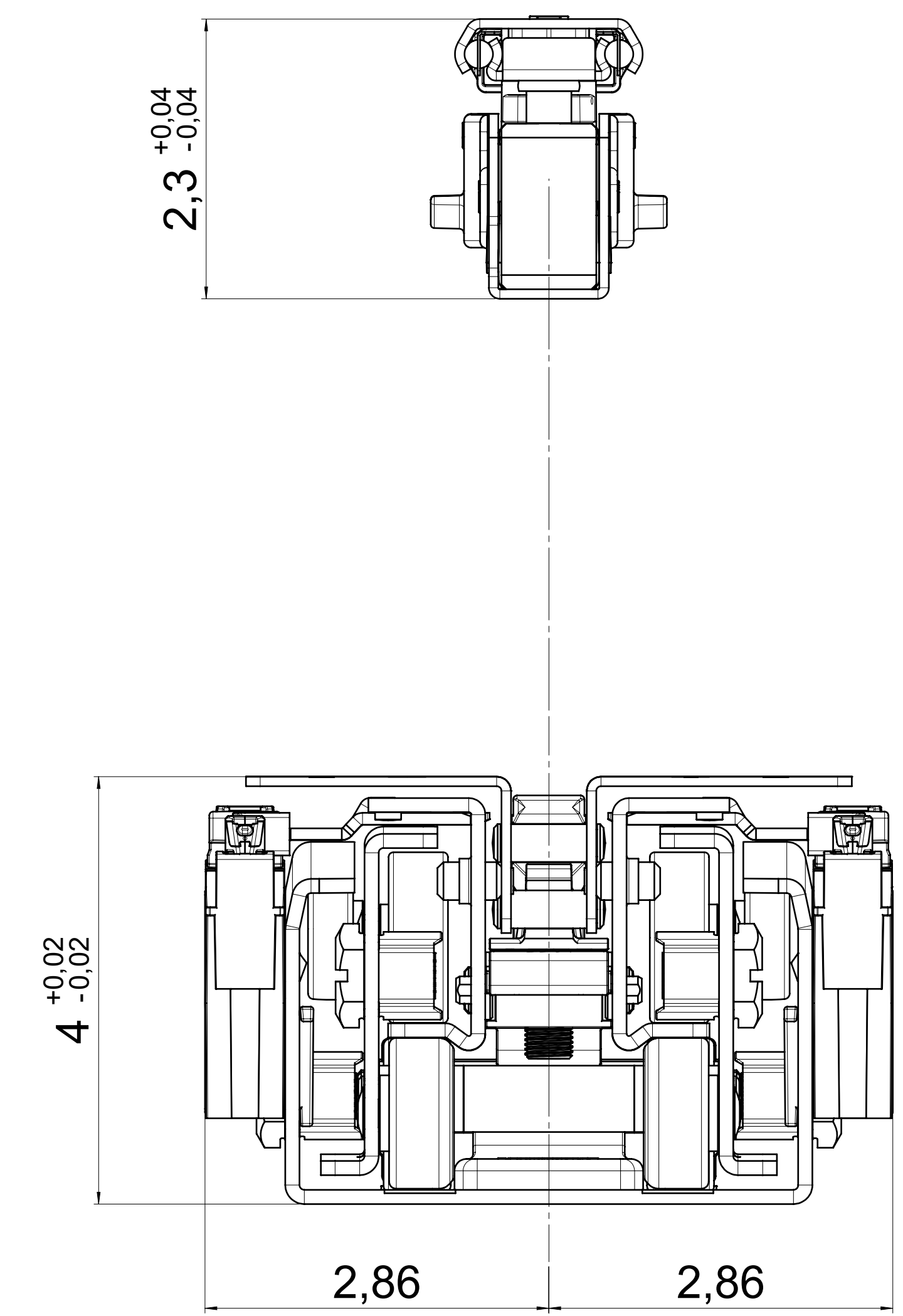
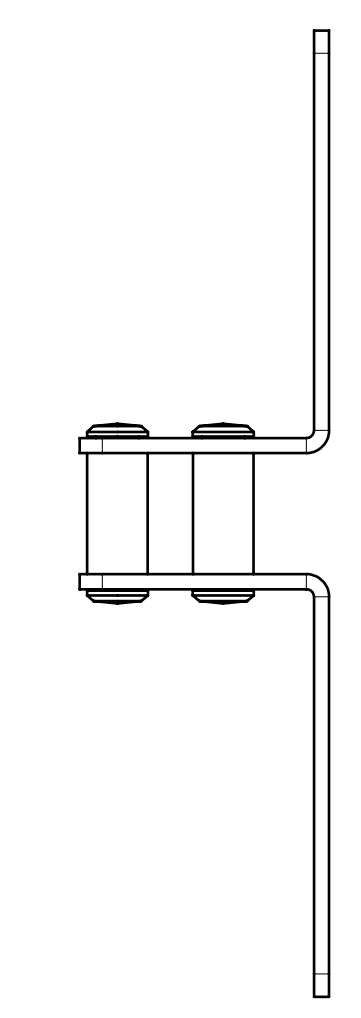
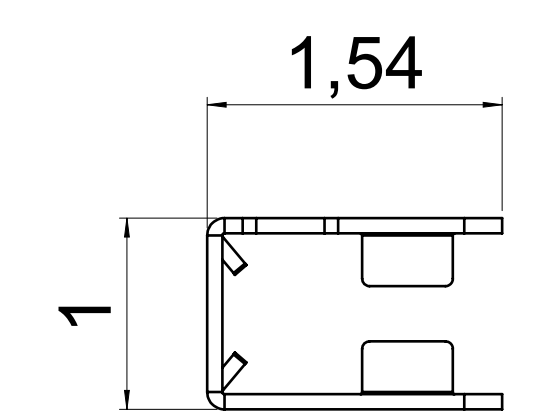
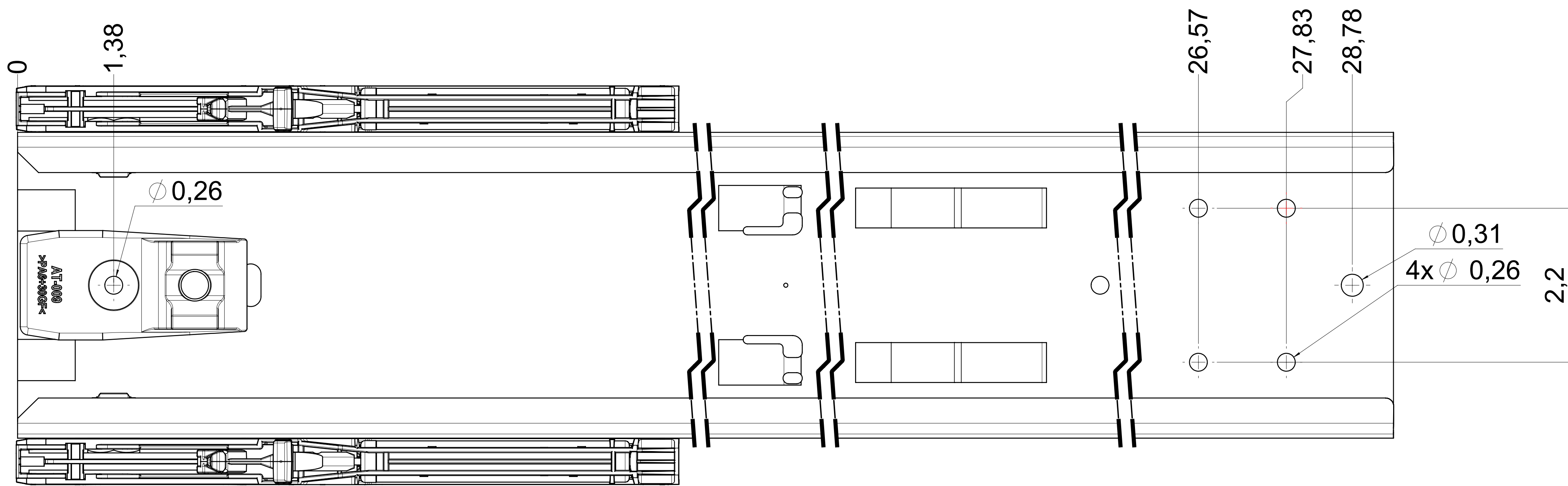
top guide drawer profile



bottom guide drawer profile



bottom guide cabinet profile



**final approval**

customer name:

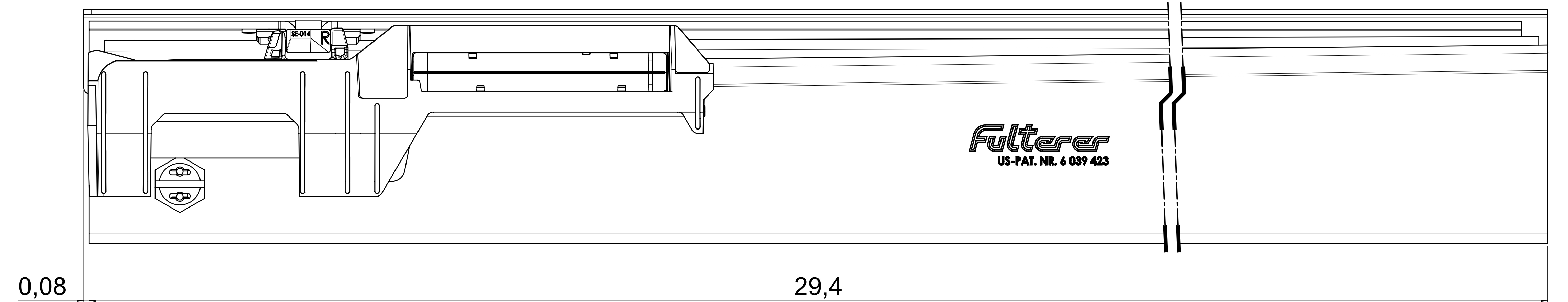
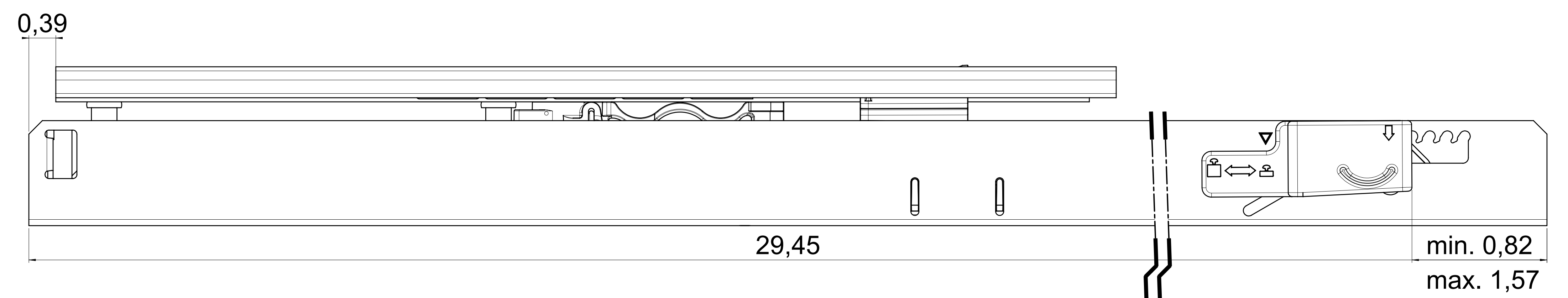
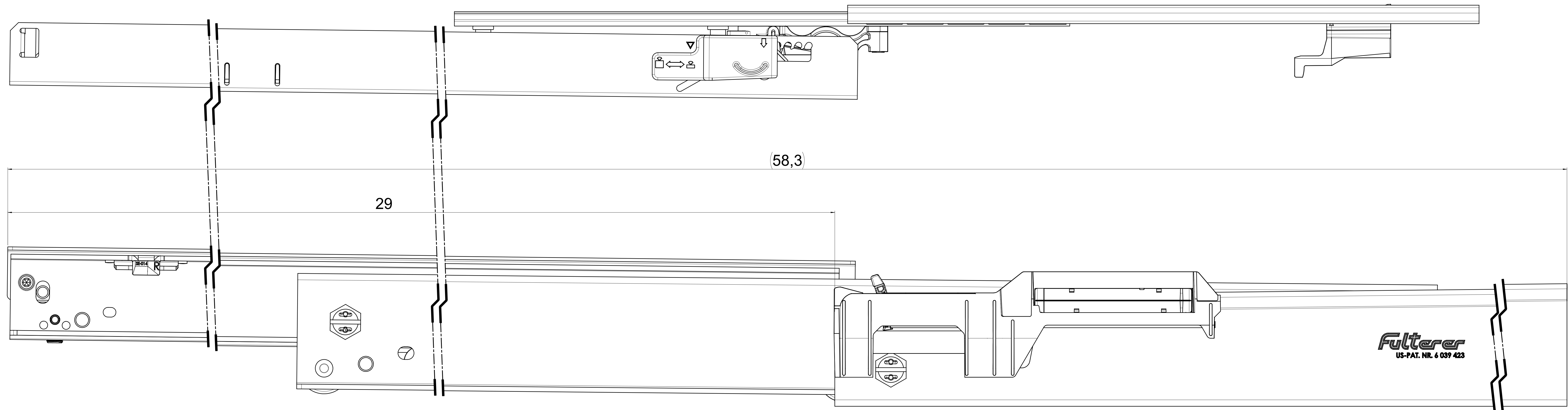
signed by:

date:

<p><b>all dimensions in inch</b></p> <p>This drawing remains our property and may not be multiplied neither be disclosed to third parties (§§1,3 and 5 from the copyright Act (UrhG)). covered according to DIN ISO 15015</p>		<p>DIN ISO 128-30 missing dimensions see 3D = theor. intersection</p>	
scale:	1:1	surface:	steel (technical requirements Fulterer)
material:	semi finished parts	description:	FR 777A / 75 EN (inch) progressive-action full-extension drawerslide / bottom mount
date:	21-11-2022	name:	GB
drawn:	proven:00-00-0000	date:	00
<p><b>Filterer</b></p> <p>Filterer AG &amp; Co KG A-6800 Lustenau / Austria C14-8430 St. Margarethen</p>		<p>drawing number: <b>777A.750-GA.0000</b> replaces version GB10:</p>	
changes:	date:	na:	na:

dimensions without coating / maximum coating allowed 0.1mm

X



= check dimension , next free check number

**final approval**  
 customer name:  
 signed by:  
 date:

all dimensions in inch				DIN ISO 128-30 missing dimensions see 3D = theor. intersection	
This drawing remains our property and may not be disclosed to third parties (§§1,3 and 5 from the copyright Act (UrHGO)) covered according to DIN ISO 16016				scale:	surface:
				1:1	steel
				(technical requirements Fulterer)	
				drawn 21-11-2021	GB
				proven 00-00-0000	00
				description: FR 777A / 75 - EN (inch) progressive-action full-extension drawerslide / bottom mount	
				drawing number: 777A.750-GA.0000	
				replaces version 0316:	
changes				date	na.
Dienstag, 31. Januar 2023 14:58:00				Inchola Heidegger	