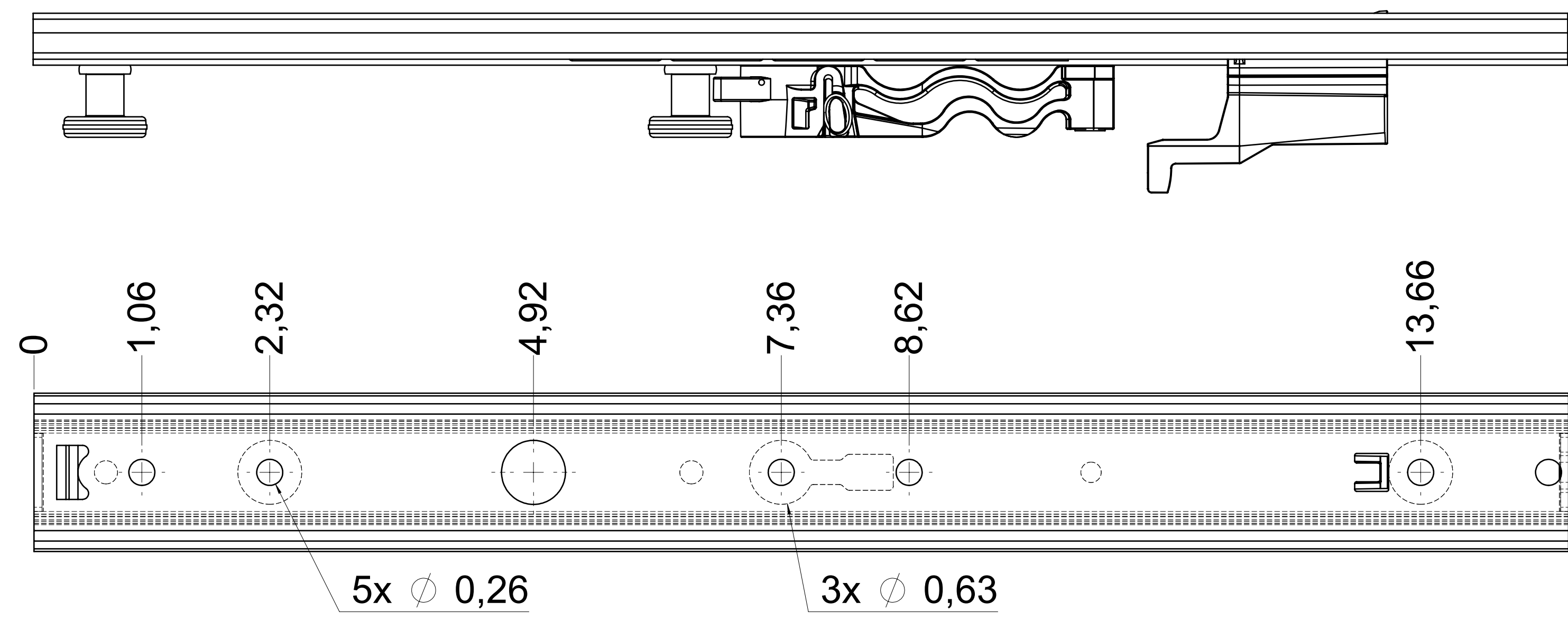
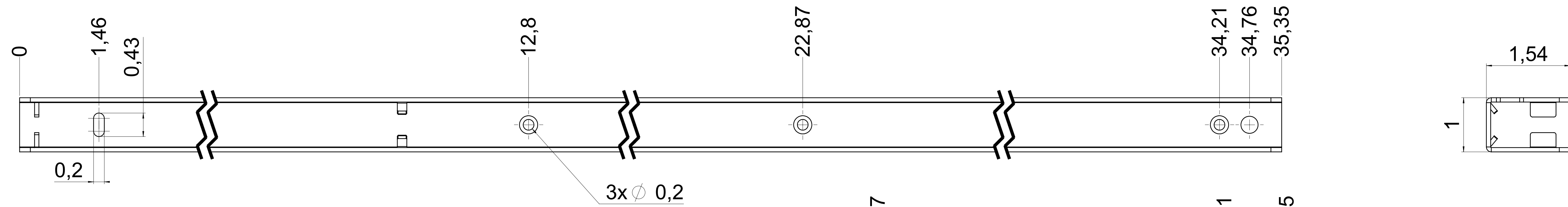


dimensions without coating / maximum coating allowed 0.1mm

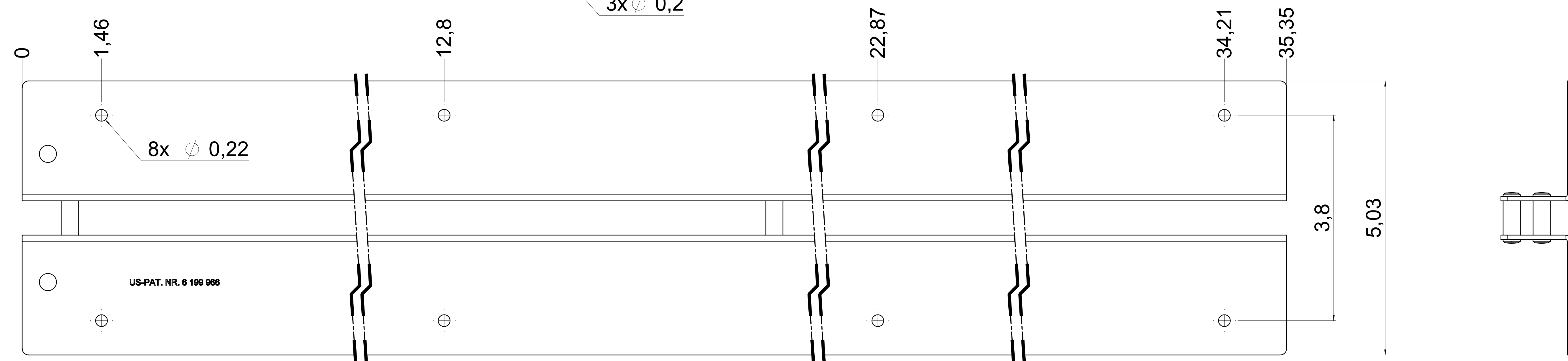
top guide cabinet profile



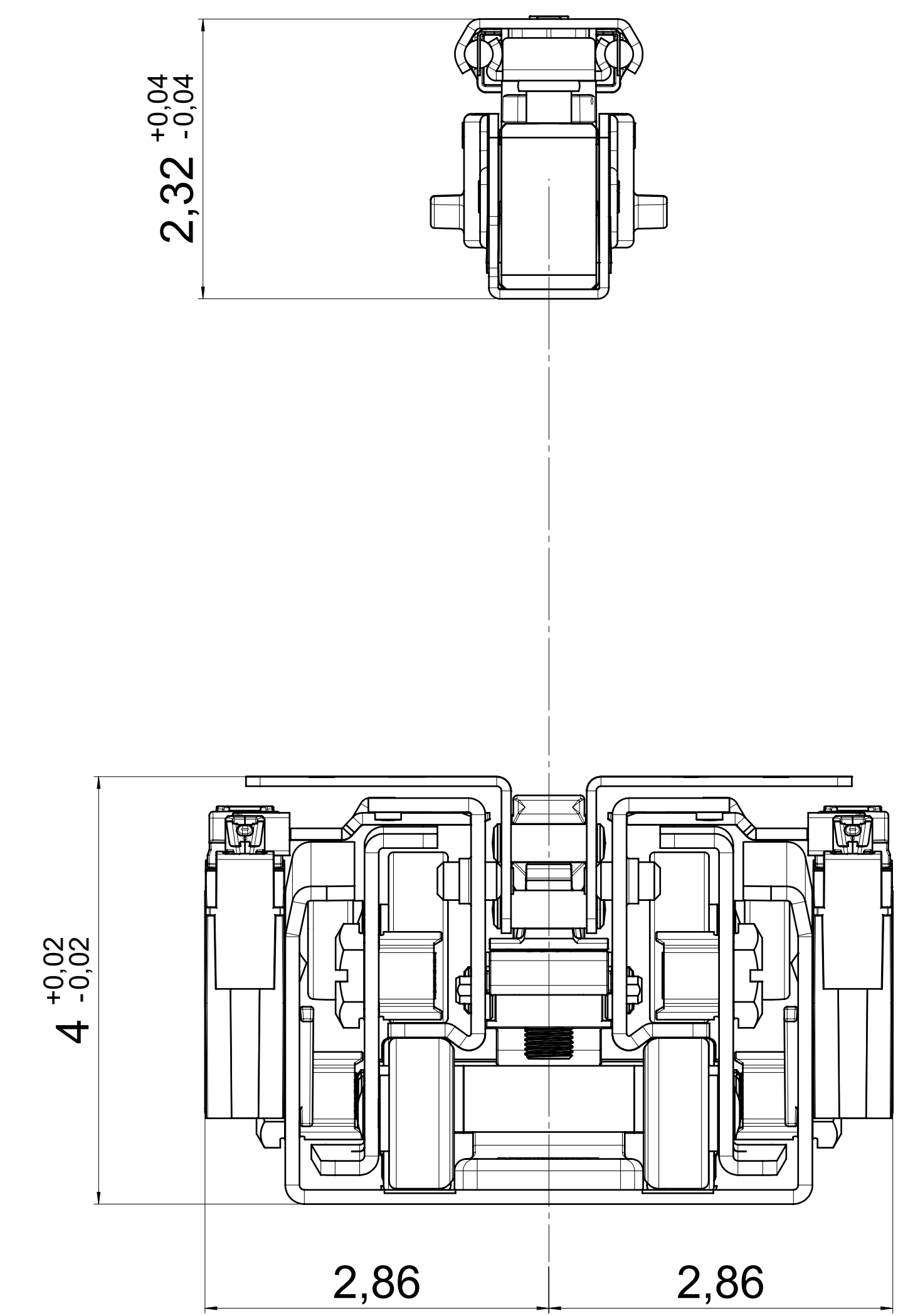
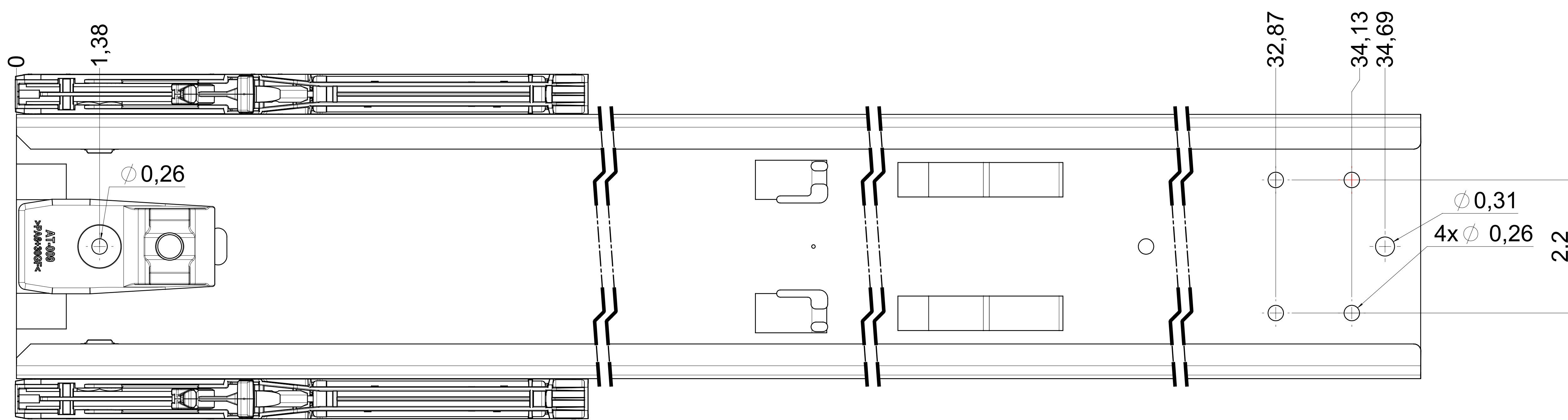
top guide drawer profile



bottom guide drawer profile



bottom guide cabinet profile



final approval

customer name: _____

signed by: _____

date: _____

all dimensions in inch

This drawing remains our property and may not be multiplied neither be disclosed to third parties (§§1,3 and 5 from the copyright Act (UrhG)). covered according to DIN ISO 15015

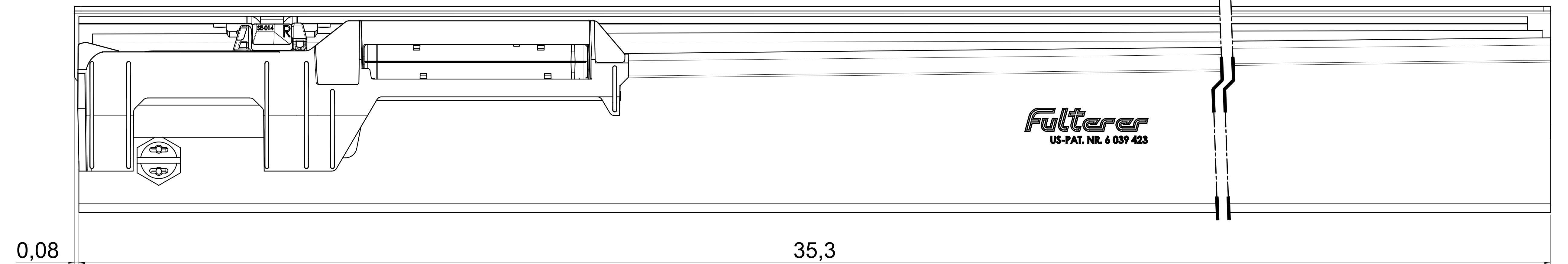
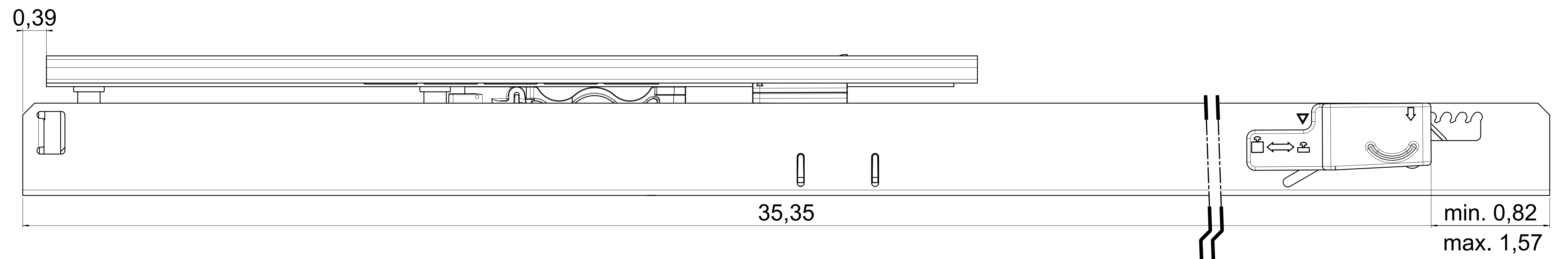
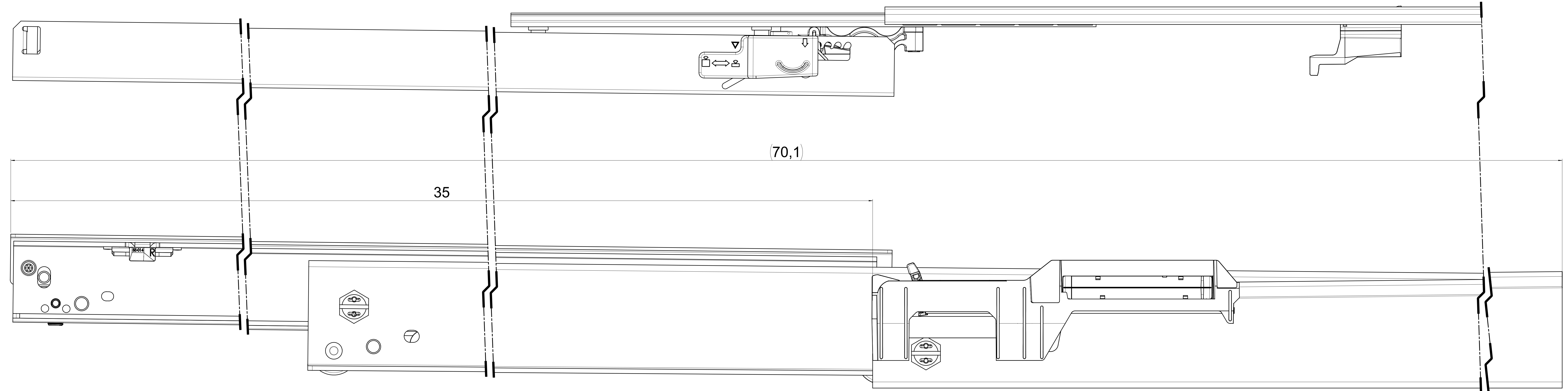
scale:	1:1	surface:	steel
material:	semi finished parts	material:	steel
description:	FR 777A / 90 - EN (inch)	material:	(technical requirements Filterer)
description:	progressive-action full-extension	material:	
description:	drawerslide / bottom mount	material:	
drawing number:	777A.900-GA.0000	material:	
replaces version:	00	material:	

Filterer AG & Co KG
A-6890 Lustenau / Austria
C14-8430 St. Margarethen

includes: AO

dimensions without coating / maximum coating allowed 0.1mm

X



= check dimension , next free check number

final approval

customer name:

signed by:

date:

all dimensions in inch				DIN ISO 128-30 missing dimensions see 3D = theor. intersection	
This drawing remains our property and may not be multiplied neither be disclosed to third parties (§§1,3 and 5 from the copyright Act (UrHG)) covered according to DIN ISO 16016				material: semi finished parts: AO	
scale:	1:1	surface:	steel	(technical requirements Filterer)	
drawn:	21-11-2021	name:	GB	description: FR 777A / 90 - EN (inch)	
proven:	00-00-0000	date:	00	progressive-action full-extension drawerslide / bottom mount	
Filterer				drawing number: 777A.900-GA.0000	
Filterer AG & Co KG A-6800 Lustenau / Austria				replaces version 03/02	
Filterer AG CH-8430 St. Margrethen				replaces version 03/02	
changes	date	na.		includo beabger	