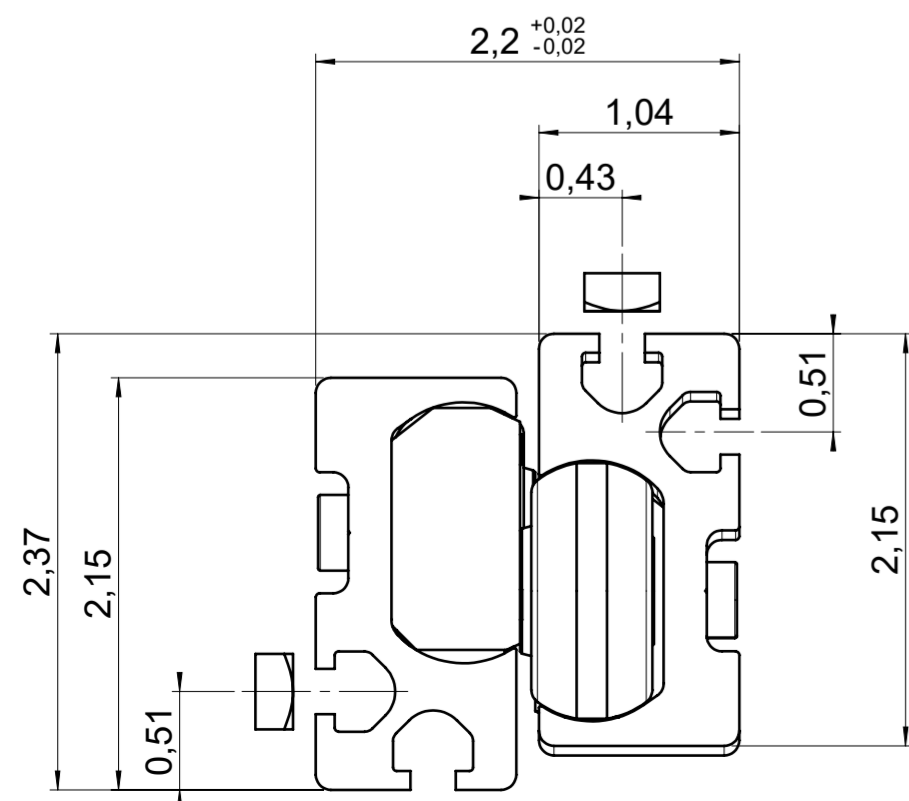
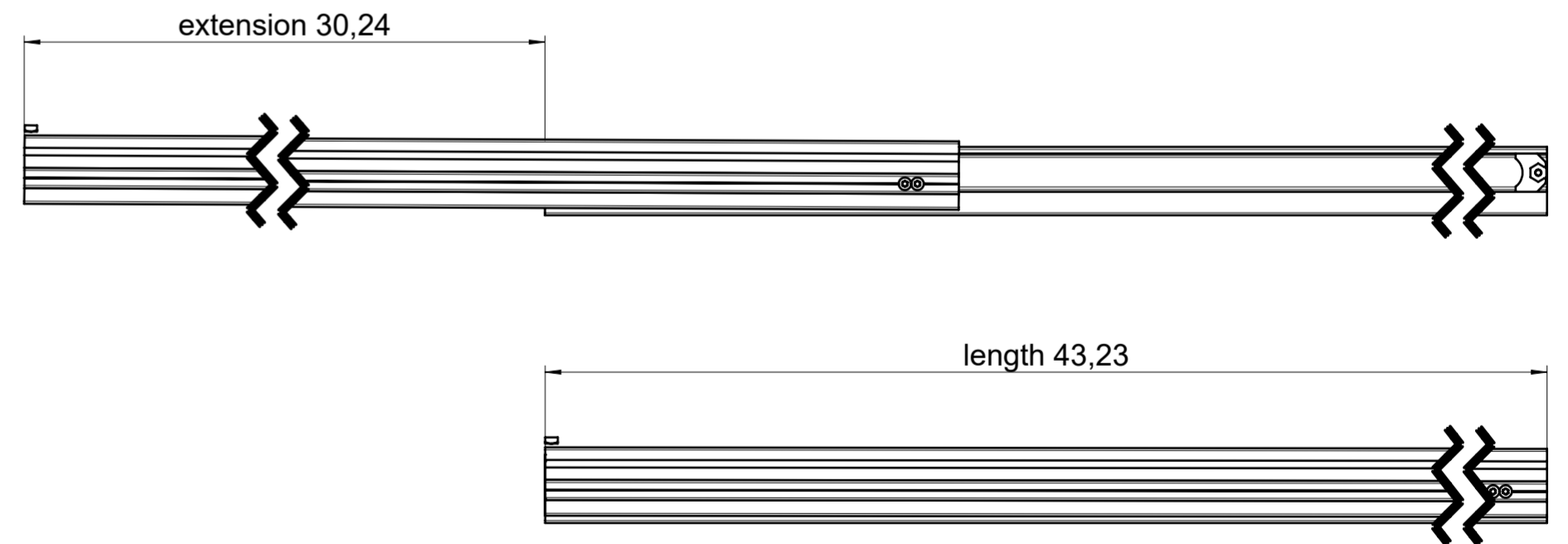
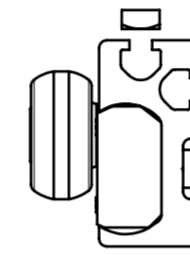
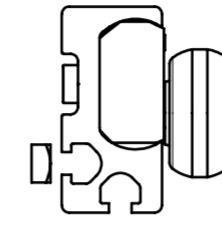
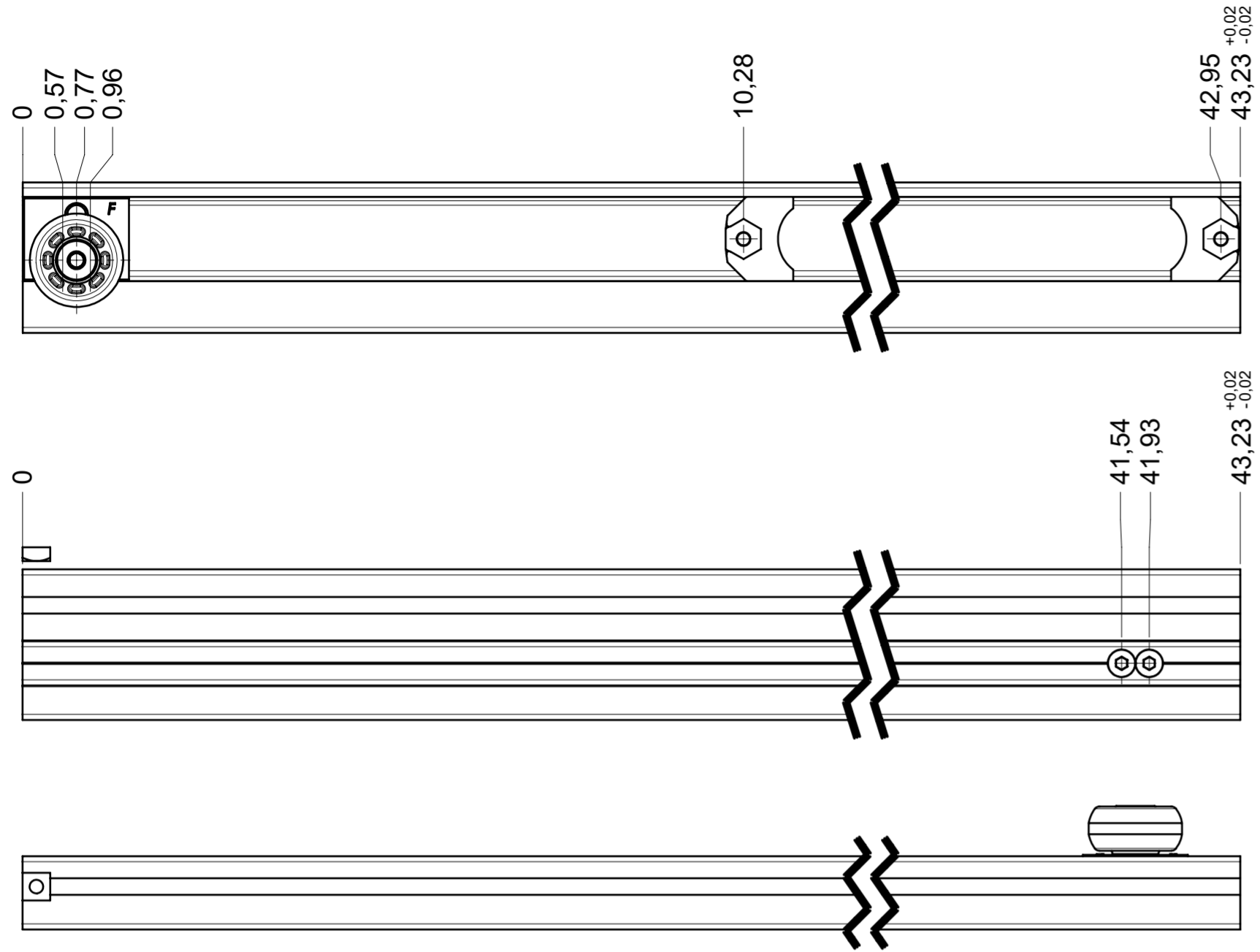


drawn left



final approval

customer name:

signed by:

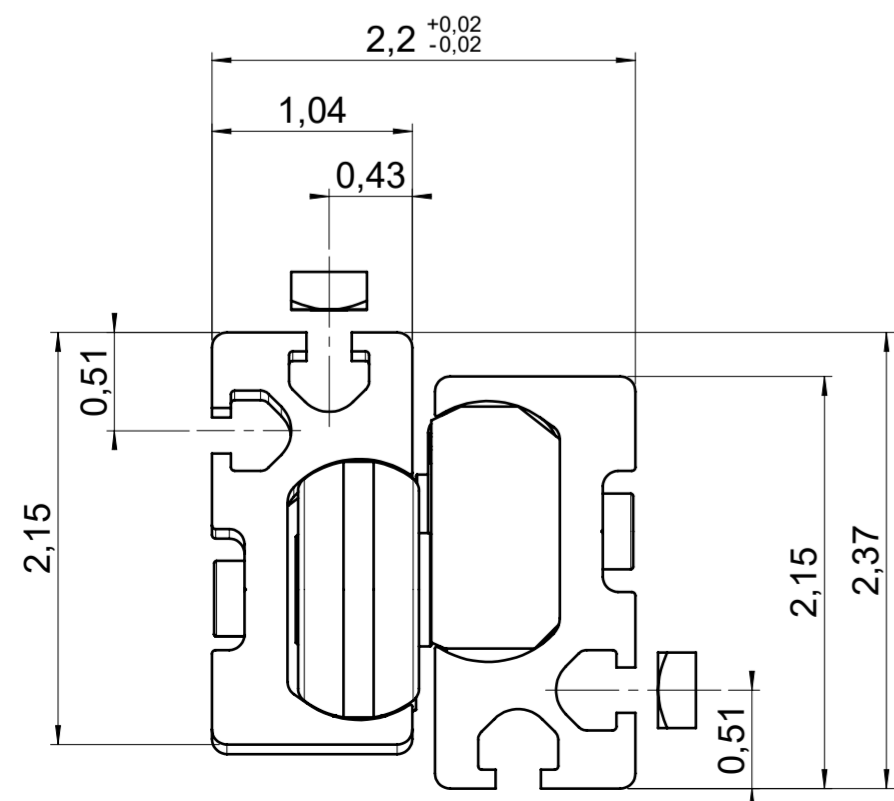
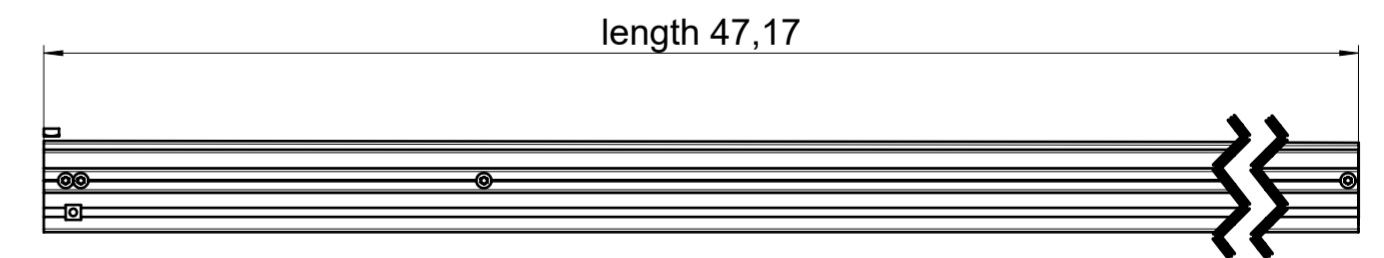
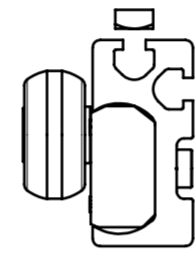
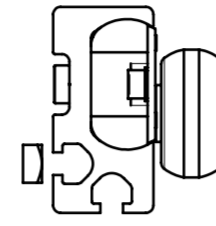
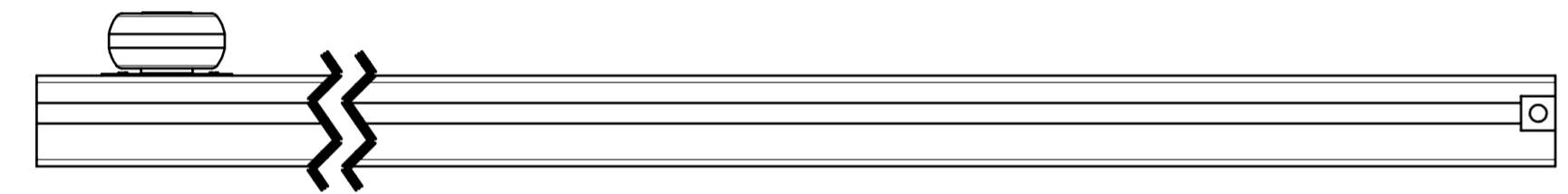
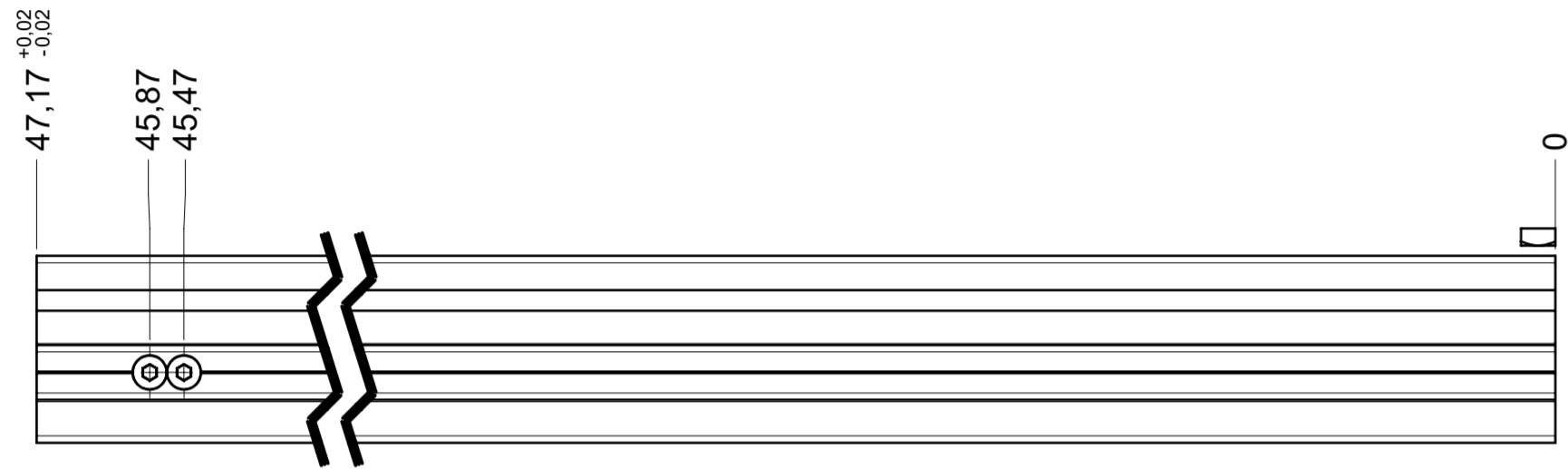
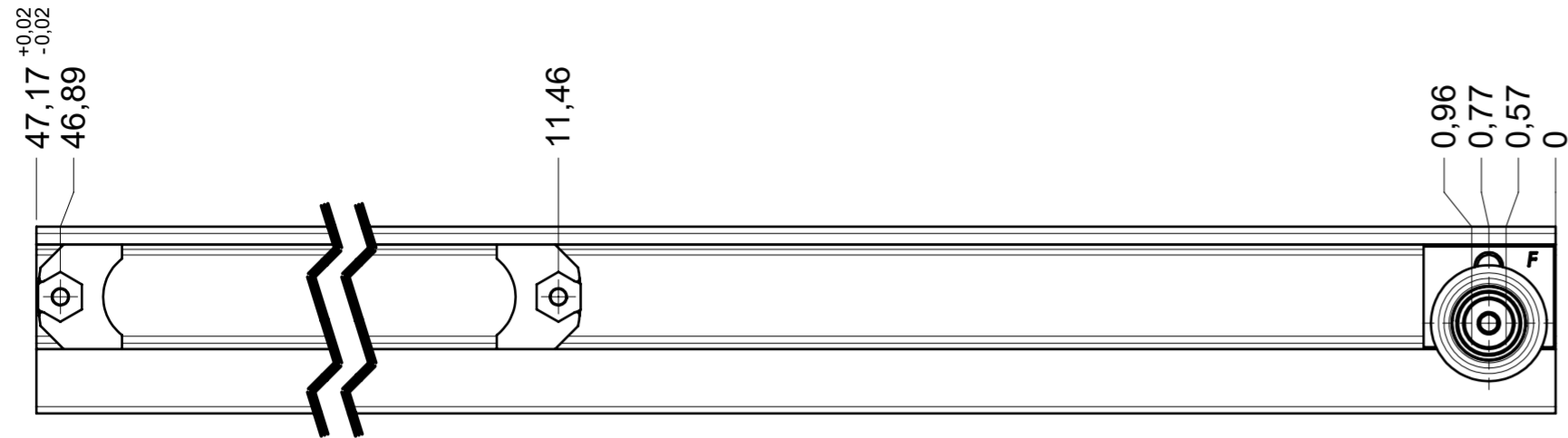
date:

all dimensions in inch

DIN ISO 128-30
missing dimensions see 3D
= theor. intersection

This drawing remains our property and may not be multiplied neither be disclosed to third parties (§§1,3 and 5 from the copyright Act (UrhG)) covered according to DIN ISO 16016				scale: 1:2	surface:	material, semi finished parts: CS (technical requirements Fulterer)	A2
(k)				date	name	description: FR 9000 / 110 EN (inch) progressive-action full-extension drawerslide / side mount	drawing number: 9000.1100-GA.0000.li replaces version date:
(l)			drawn 01-02-2023	ex			
(h)			proven 01-03-2023	pr			
(g)							
(f)							
(e)							
(d)							
(c)							
(b)							
(a)							
ind.	changes	date	na.				

drawn right



final approval

customer name:

signed by:

date:

all dimensions in inch

DIN ISO 128-30
missing dimensions see 3D
= theor. intersection

This drawing remains our property and may not be multiplied neither be disclosed to third parties (§§1,3 and 5 from the copyright Act (UrhG)) covered according to DIN ISO 16016				scale:	surface:	material, semi finished parts: CS (technical requirements Fulterer)
		1:2				
(k)				date	name	description: FR 9000 / 120 EN (inch) progressive-action full-extension drawerslide / side mount
(l)				drawn 01-02-2023	ex	
(h)				proven 01-03-2023	pr	
(g)				Fulterer		drawing number: 9000.1200-GA.0000.re
(f)						
(e)				Fulterer AG & Co KG A-6890 Lustenau / Austria		replaces version date:
(d)				Fulterer AG CH-9430 St. Margrethen		
(c)				ind.	changes	date
(b)						na.
(a)						