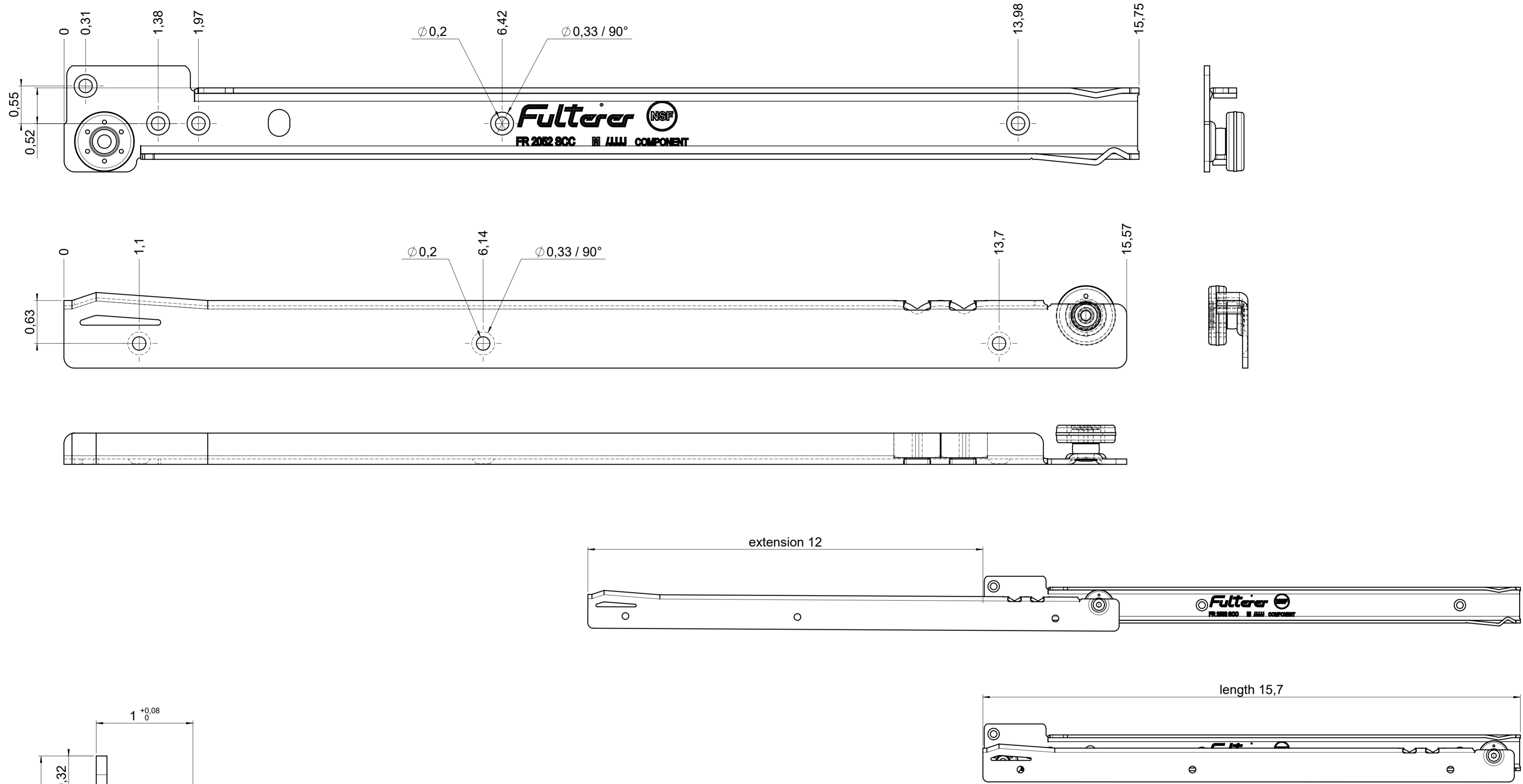


drawn left



final approval

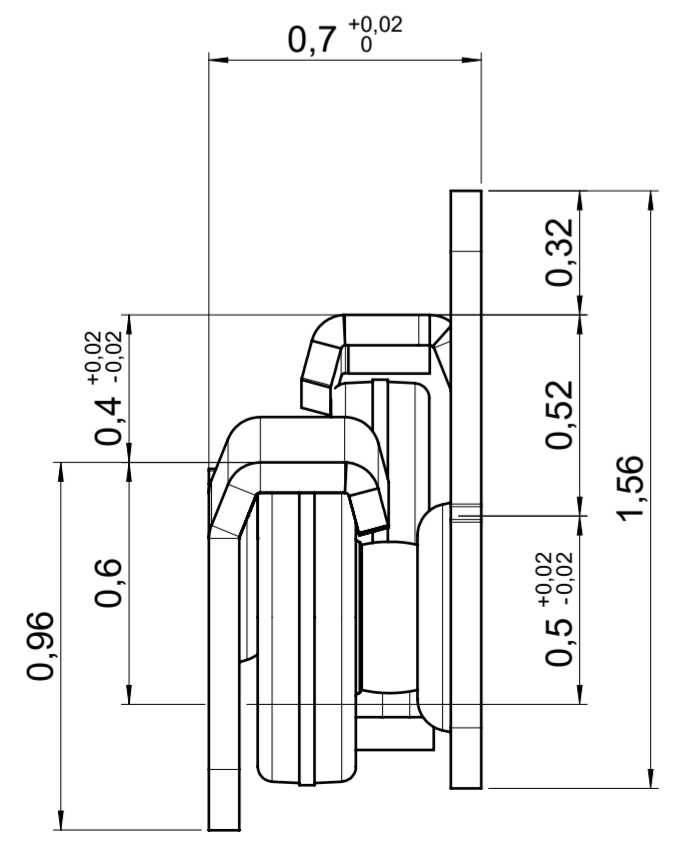
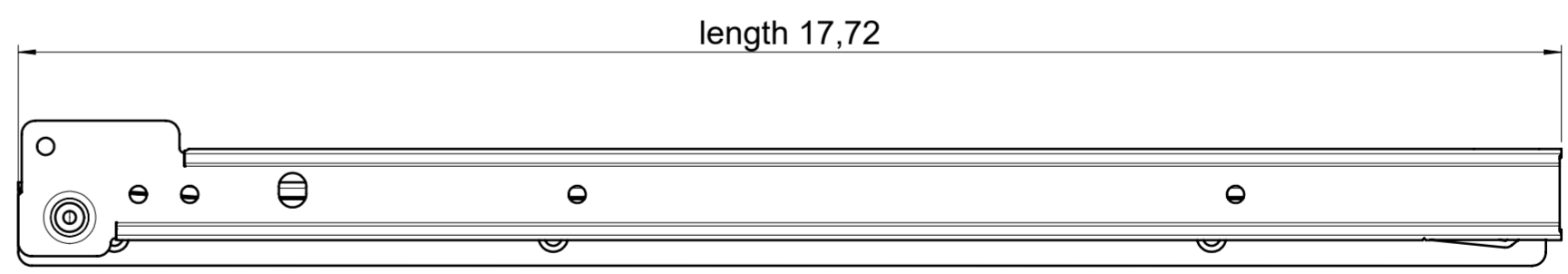
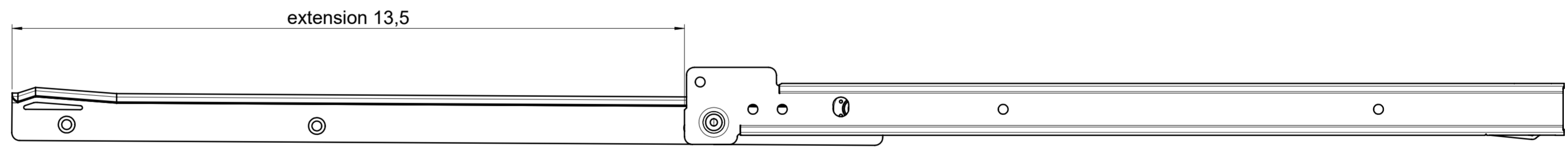
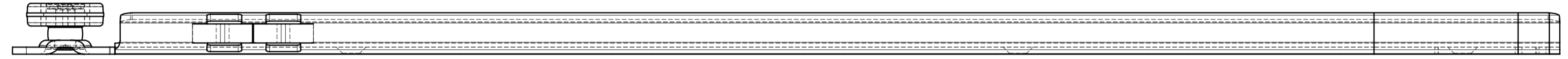
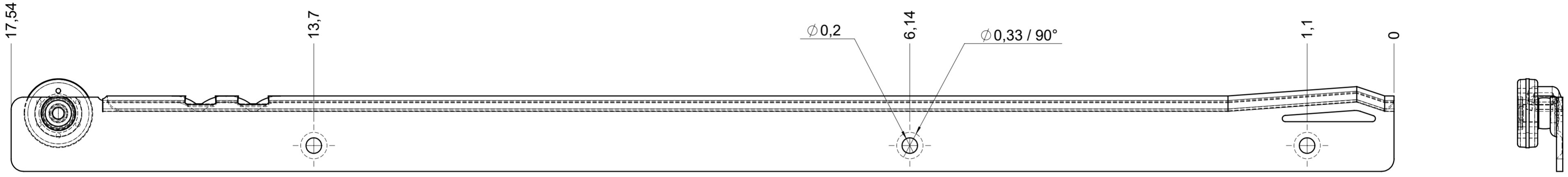
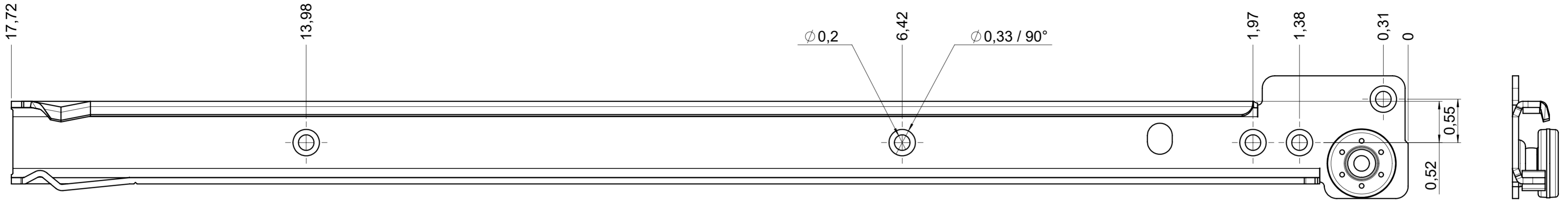
customer name:

signed by:

date:

all dimensions in inch				DIN ISO 128-30 missing dimensions see 3D = theor. intersection	
This drawing remains our property and may not be multiplied neither be disclosed to third parties (§§1,3 and 5 from the copyright Act (UrhG)) covered according to DIN ISO 16016					
scale: 1:1		surface:		material, semi finished parts: CS (technical requirements Filterer)	
drawn 01-02-2023		date 01-02-2023		name ex	
proven 01-03-2023		date 01-03-2023		name pr	
Filterer				description: FR 1052 / 40 CS EN (inch) regular-extension drawerside / side mount	
Filterer AG & Co KG A-6890 Lustenau / Austria Filterer AG CH-9430 St. Margrethen				drawing number: CS# 1052.400-GA.0000.li	
				replaces version date:	
ind.	changes	date	na.		

drawn right



final approval

customer name:

signed by:

date:

all dimensions in inch			DIN ISO 128-30 missing dimensions see 3D = theor. intersection	
This drawing remains our property and may not be multiplied neither be disclosed to third parties (§§1,3 and 5 from the copyright Act (UrhG)) covered according to DIN ISO 16016				
scale: 1:1		surface:		A2
drawn	date	name	material, semi finished parts: CS (technical requirements Fulterer)	
proven	01-02-2023	ex	description: FR 1052 / 45 CS EN (inch) regular-extension drawerside / side mount	
01-03-2023		pr	drawing number: CS# 1052.450-GA.0000.re	
replaces version date:				
Fulterer AG & Co KG A-6890 Lustenau / Austria		drawing number: CS# 1052.450-GA.0000.re		
Fulterer AG CH-9430 St. Margrethen		replaces version date:		
ind.	changes	date	na.	