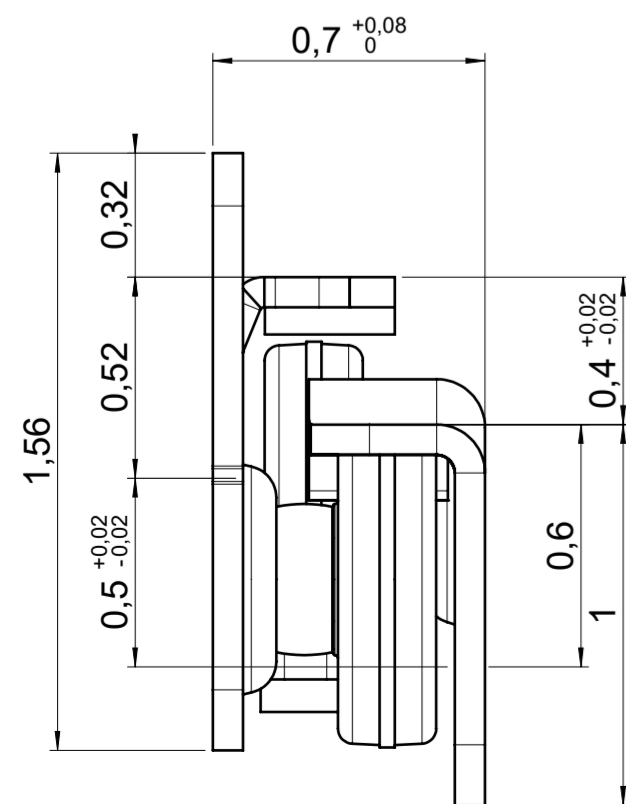
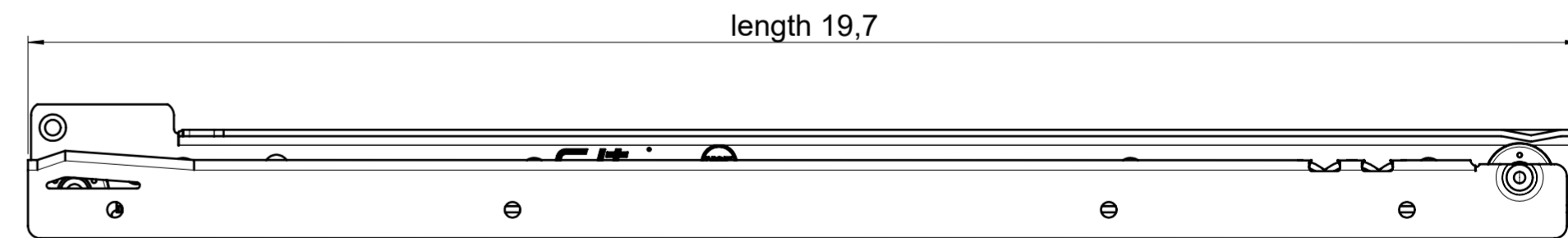
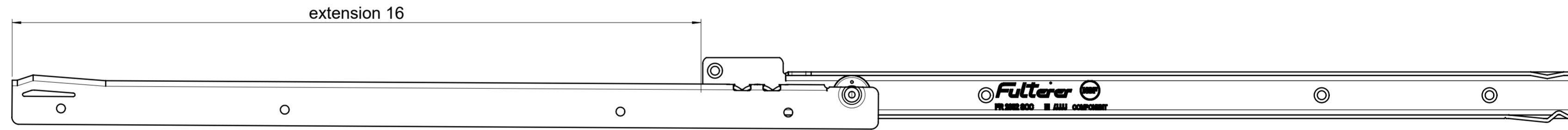
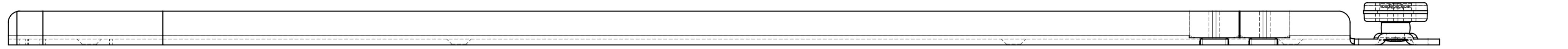
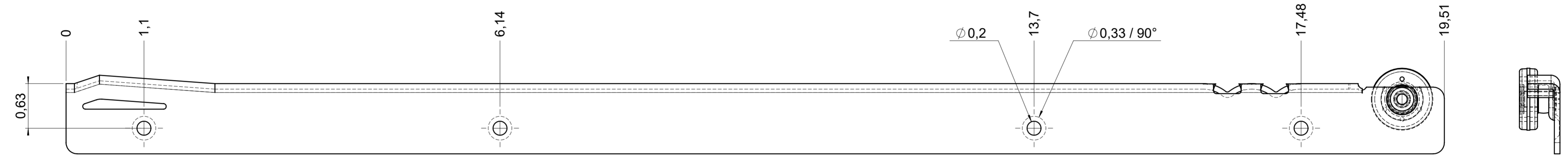
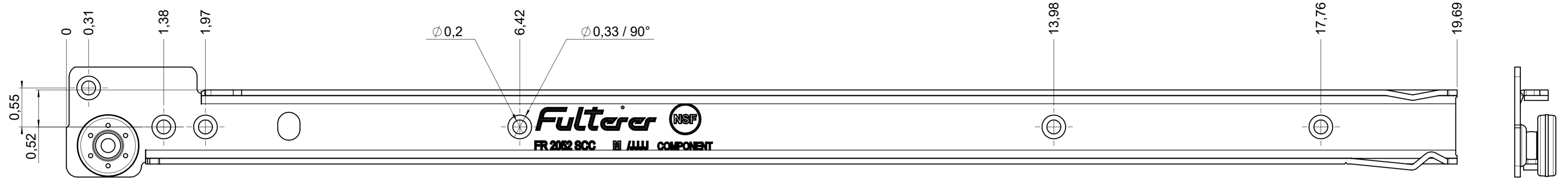


drawn left



final approval

customer name:

signed by:

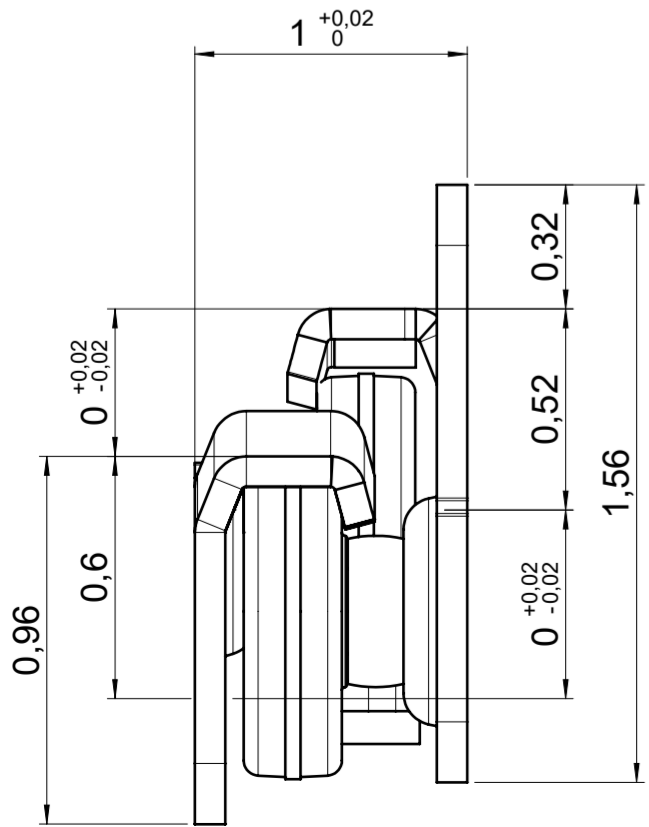
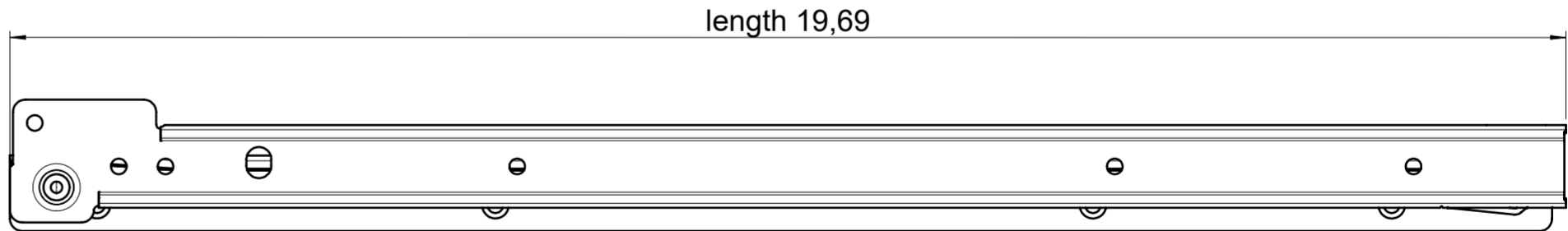
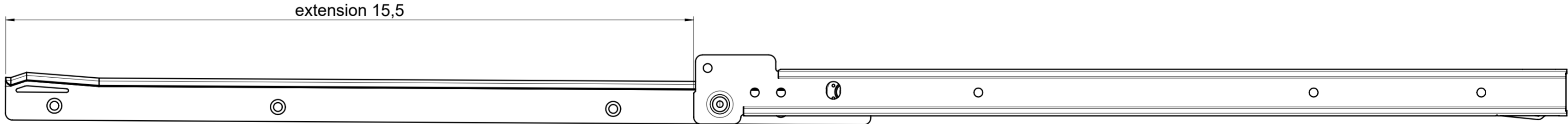
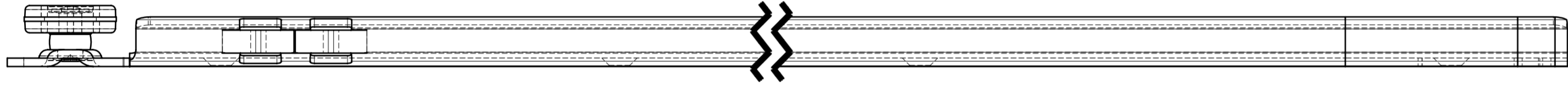
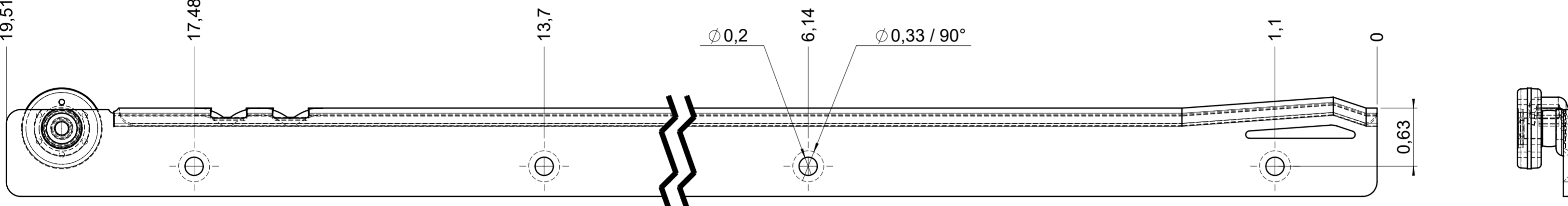
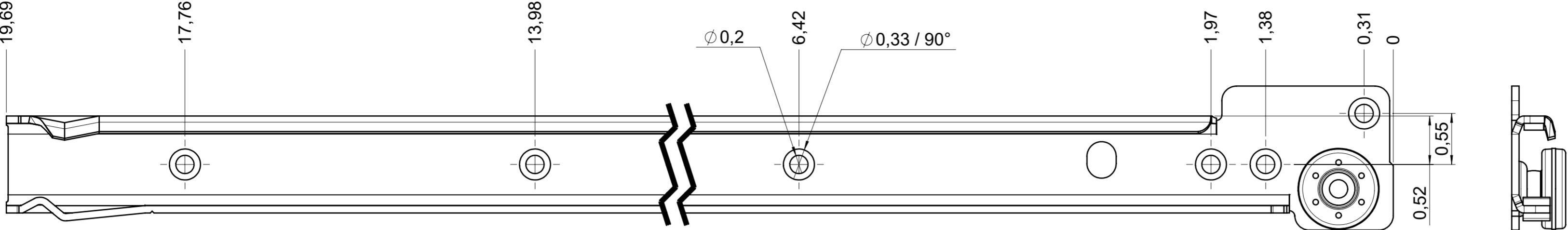
date:

all dimensions in inch

DIN ISO 128-30
missing dimensions see 3D
= theor. intersection

This drawing remains our property and may not be multiplied neither be disclosed to third parties (§§1,3 and 5 from the copyright Act (UrhG)) covered according to DIN ISO 16016				scale:	surface:	material, semi finished parts:	A2
(k)				1:1		CS	
(l)				drawn	date	name	(technical requirements Fulterer)
(h)				01-02-2023	ex		
(g)				proven	01-03-2023	pr	
(f)						description:	
(e)			FR 1052 / 50 CS EN (inch)			regular-extension drawerside / side mount	
(d)				Fulterer AG & Co KG		drawing number:	
(c)				A-6890 Lustenau / Austria		CS# 1052.500-GA.0000.li	
(b)				Fulterer AG		replaces version date:	
(a)				CH-9430 St. Margrethen			
ind.	changes	date	na.				

drawn right



final approval

customer name:

signed by:

date:

all dimensions in inch				DIN ISO 128-30 missing dimensions see 3D = theor. intersection	
This drawing remains our property and may not be multiplied neither be disclosed to third parties (§§1,3 and 5 from the copyright Act (UrhG)) covered according to DIN ISO 16016					
scale: 1:1		surface:		material, semi finished parts: CS (technical requirements Fulterer)	
drawn 01-02-2023		date 01-02-2023		description: FR 1052 / 50 CS EN (inch) regular-extension drawerside / side mount	
proven 01-03-2023		name ex		drawing number: CS# 1052.500-GA.0000.re	
		pr		replaces version date:	
		Fulterer		Fulterer AG & Co KG A-6890 Lustenau / Austria Fulterer AG CH-9430 St. Margrethen	
ind. changes		date		na.	