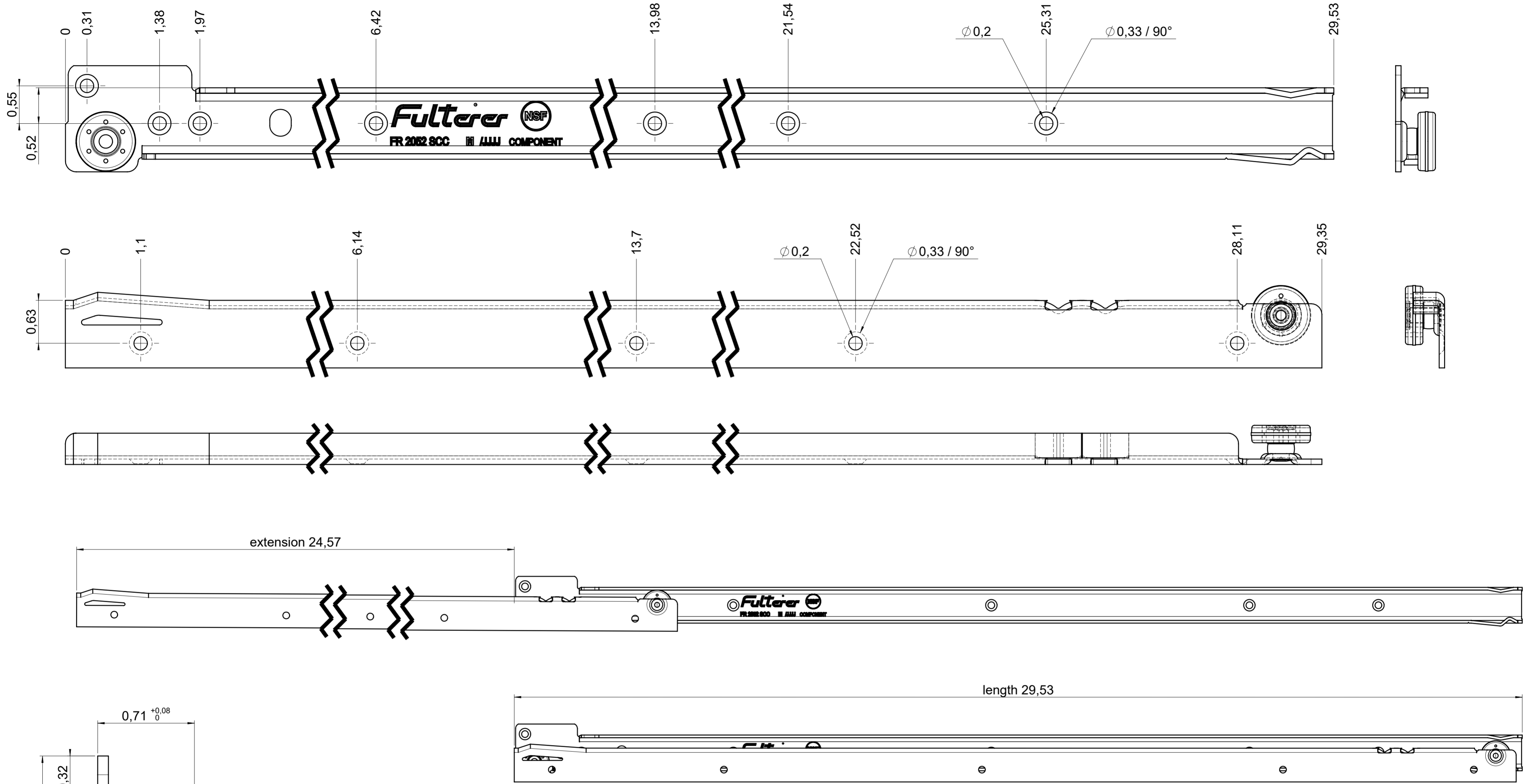


drawn left



**final approval**

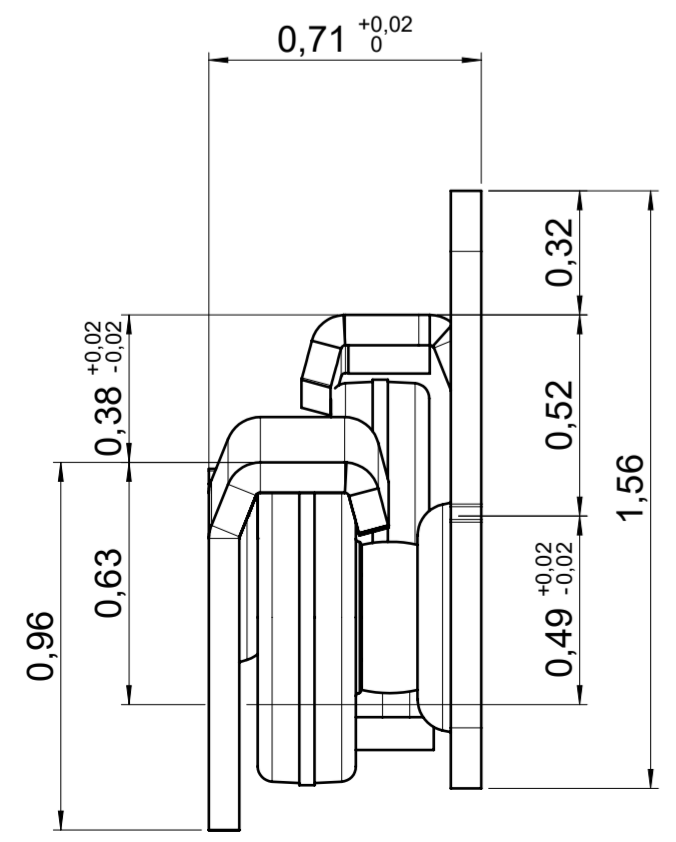
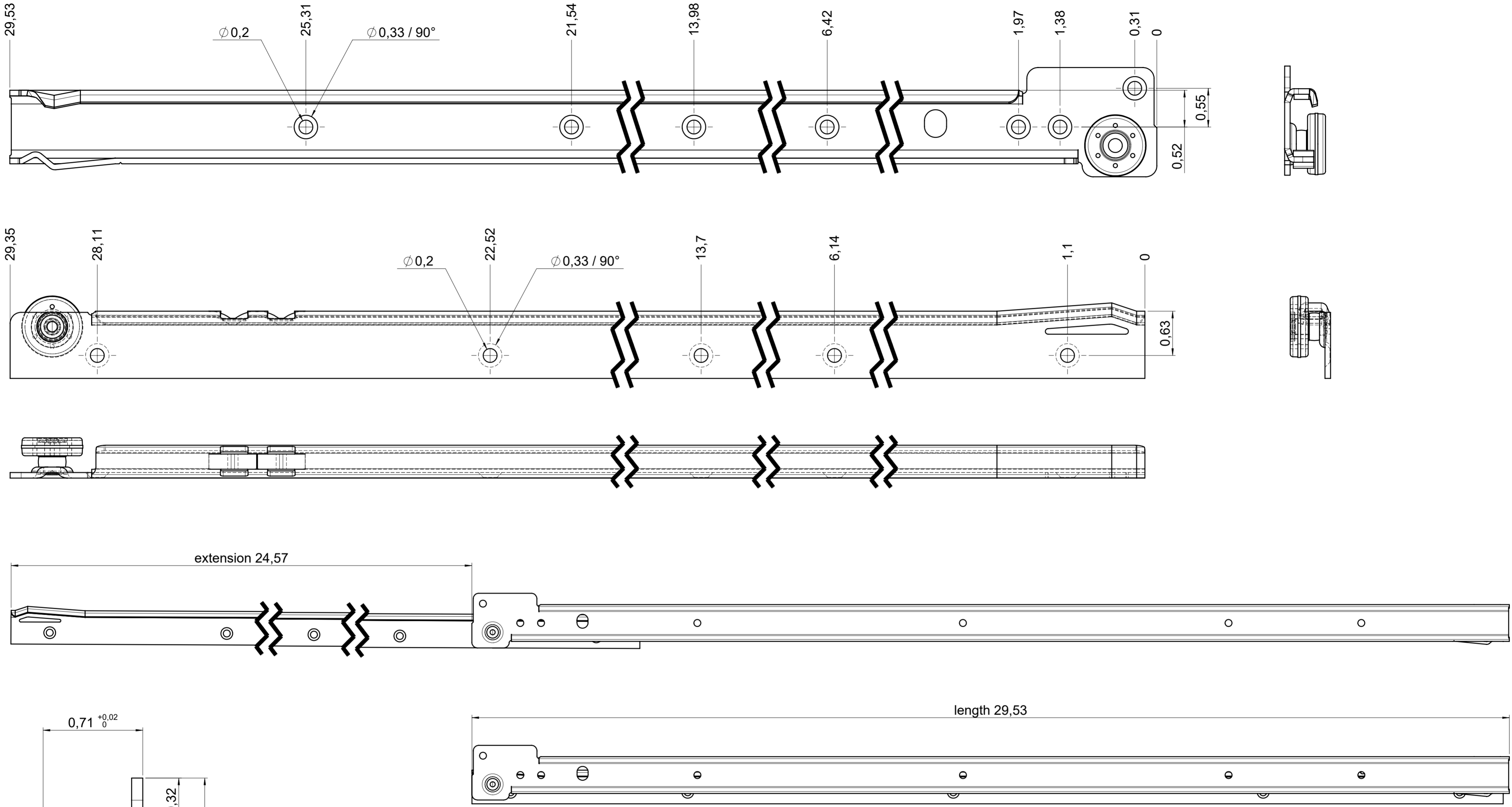
customer name:

signed by:

date:

<b>all dimensions in inch</b>			DIN ISO 128-30 missing dimensions see 3D = theor. intersection	
This drawing remains our property and may not be multiplied neither be disclosed to third parties (§§1,3 and 5 from the copyright Act (UrhG)) covered according to DIN ISO 16016				
scale: 1:1		surface:		material, semi finished parts: CS (technical requirements Fulterer)
drawn 01-02-2023		date 01-02-2023		name ex
proven 01-03-2023		date 01-03-2023		name pr
description: FR 1052 / 75 CS EN (inch) regular-extension drawerside / side mount		drawing number: CS# 1052.750-GA.0000.li		
replaces version date:		Fulterer AG & Co KG A-6890 Lustenau / Austria Fulterer AG CH-9430 St. Margrethen		
(k)	changes	date	na.	
(l)				
(i)				
(h)				
(g)				
(f)				
(e)				
(d)				
(c)				
(b)				
(a)				

drawn right



**final approval**

customer name:

signed by:

date:

**all dimensions in inch**

DIN ISO 128-30  
missing dimensions see 3D  
= theor. intersection

This drawing remains our property and may not be multiplied neither be disclosed to third parties (§§1,3 and 5 from the copyright Act (UrhG)) covered according to DIN ISO 16016				scale: 1:1	surface:	material, semi finished parts: CS (technical requirements Fulterer)
(k)				date	name	description: FR 1052 / 75 CS EN (inch) regular-extension drawerside / side mount
(l)				drawn 01-02-2023	ex	
(h)				proven 01-03-2023	pr	
(g)				<b>Fulterer</b>		drawing number: CS# 1052.750-GA.0000.re
(f)						
(e)				Fulterer AG CH-9430 St. Margrethen		replaces version date:
(d)				changes	date	na.
(c)						
(b)						
(a)						