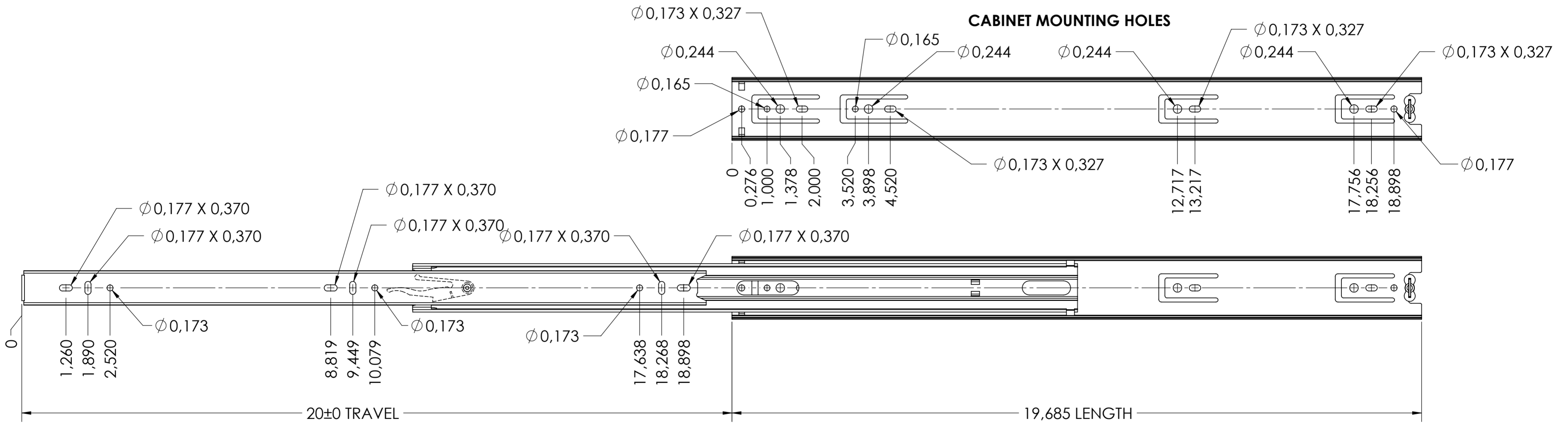
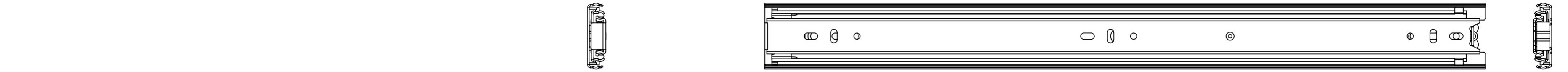
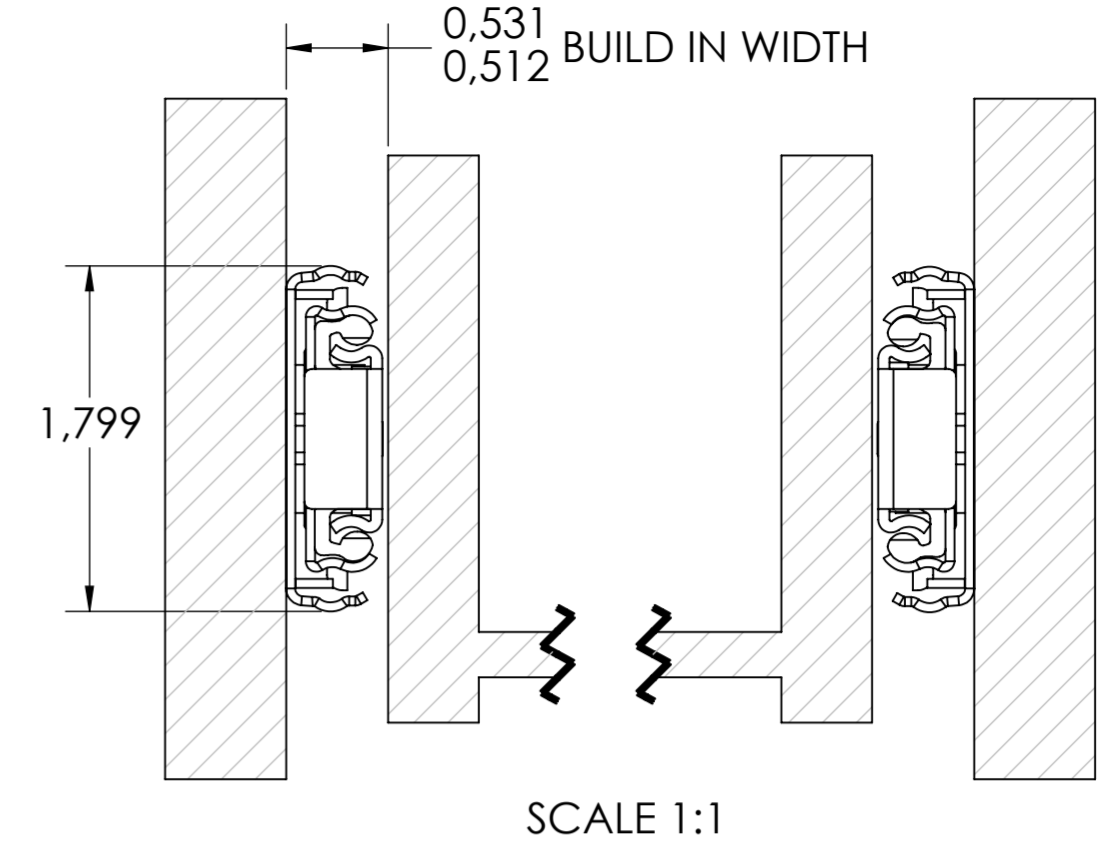
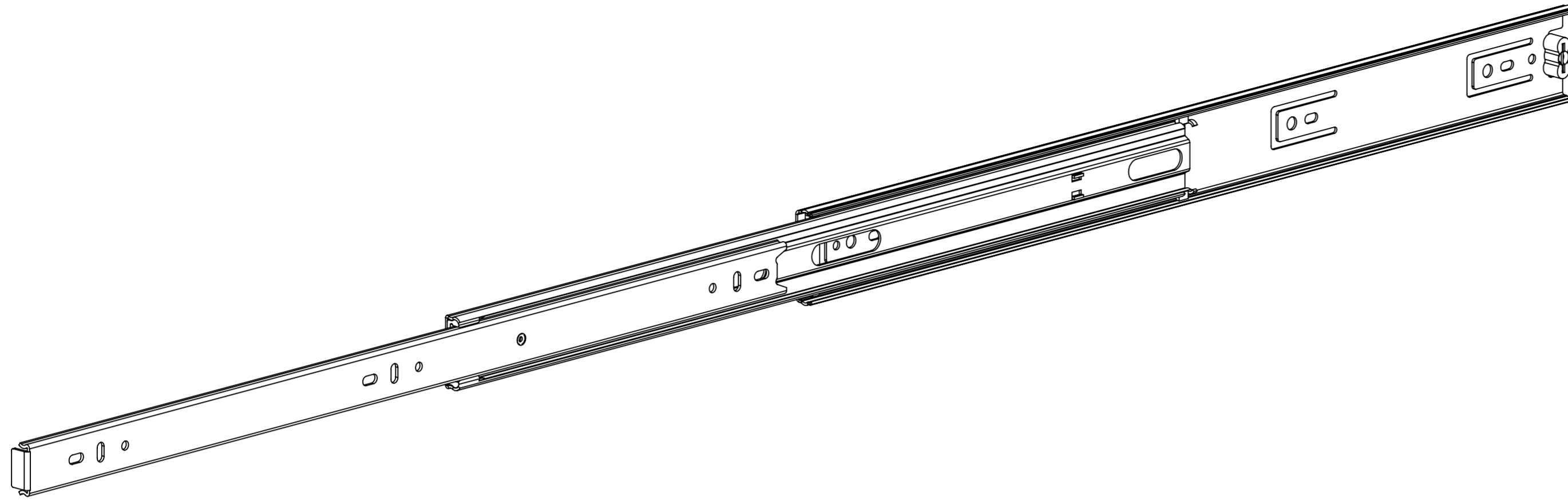


5000.500-GA.T200

X



RECOMMENDED HARDWARE:
 CABINET- M4 BUTTON HEAD OR #8 TRUSS HEAD SCREW
 DRAWER- M4 BUTTON HEAD OR #8 TRUSS HEAD SCREW

general tolerances				missing dimensions see 3D = theor. intersection	
ISO 2768-m					
This drawing remains our property and may not be multiplied neither be disclosed to third parties (§§1,3 and 5 from the copyright Act (UrhG)) covered according to DIN ISO 16016					
(k)			scale:	1:2	surface:
(l)			date		name
(m)			drawn	26-10-2018	HB
(n)			proven	00-00-0000	00
(o)			Fulterer		
(p)			Fulterer AG & Co KG A-6890 Lustenau / Austria		
(q)			Fulterer AG CH-9430 St. Margrethen		
(r)			drawing number: 5000.500-GA.T200		
(s)			replaces version date:		
(t)			changes	date	na.