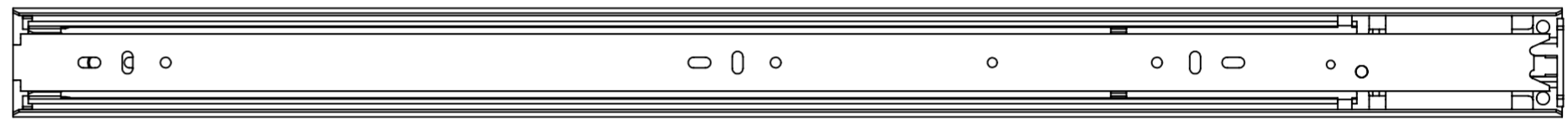
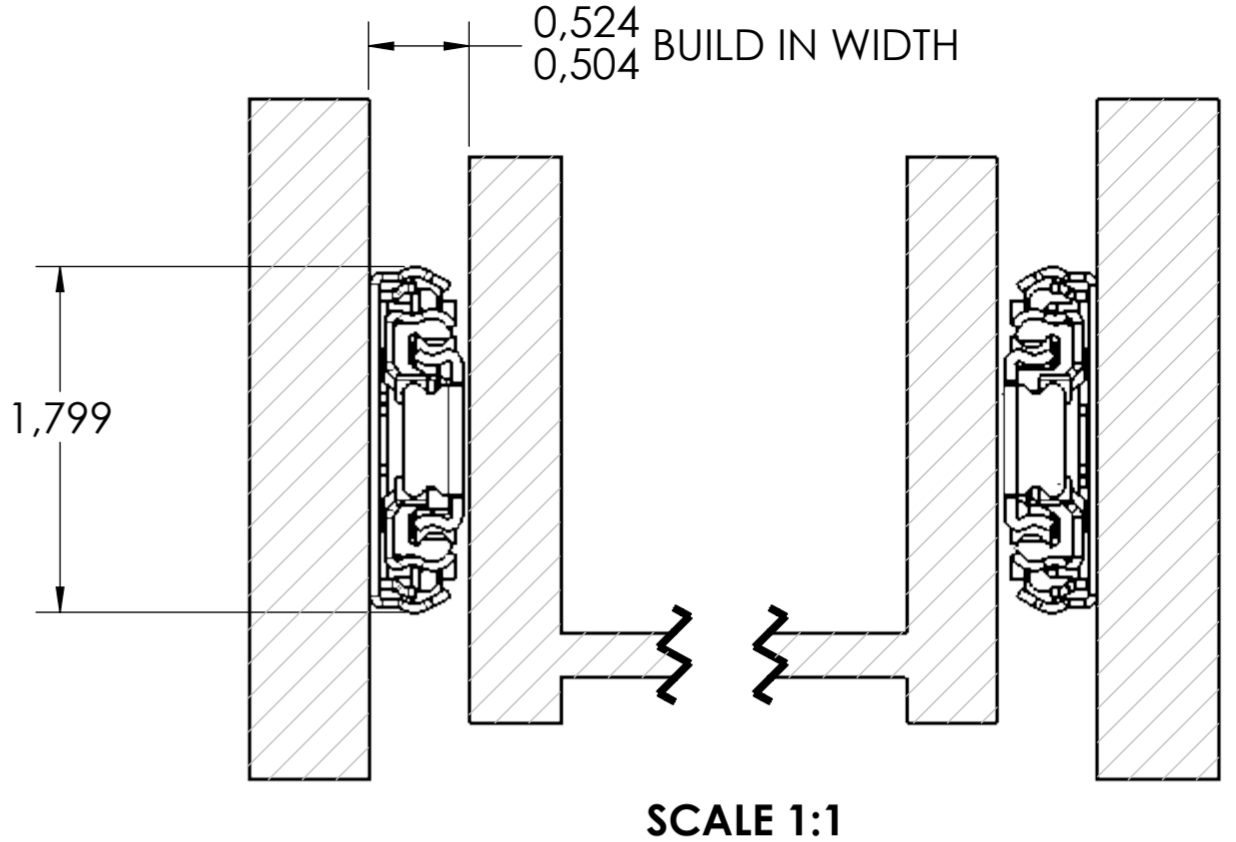
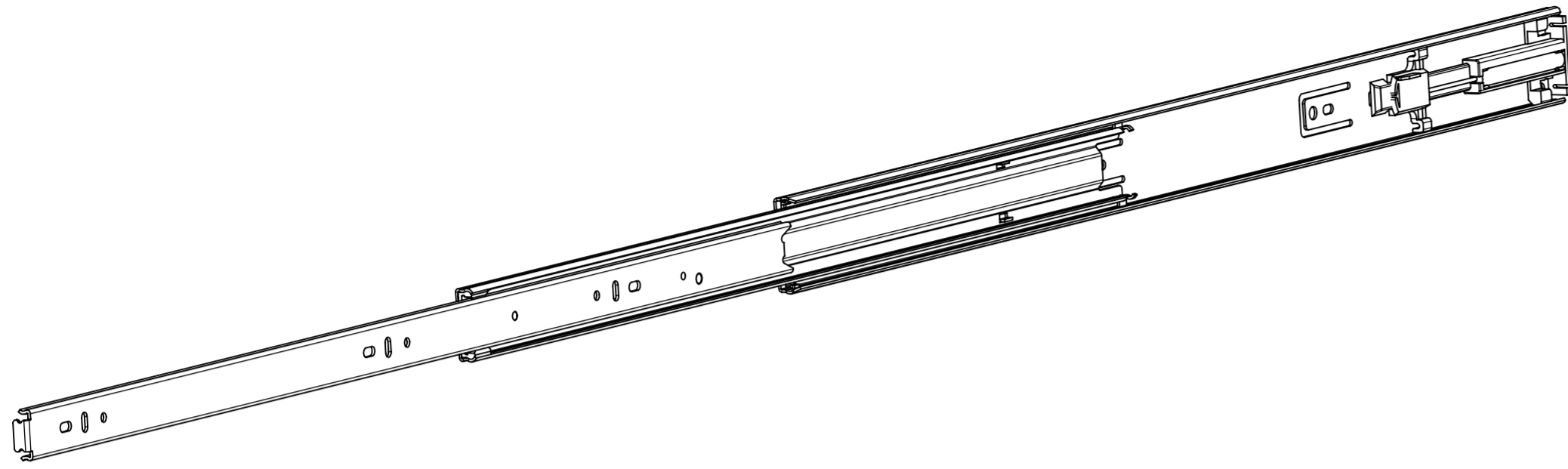
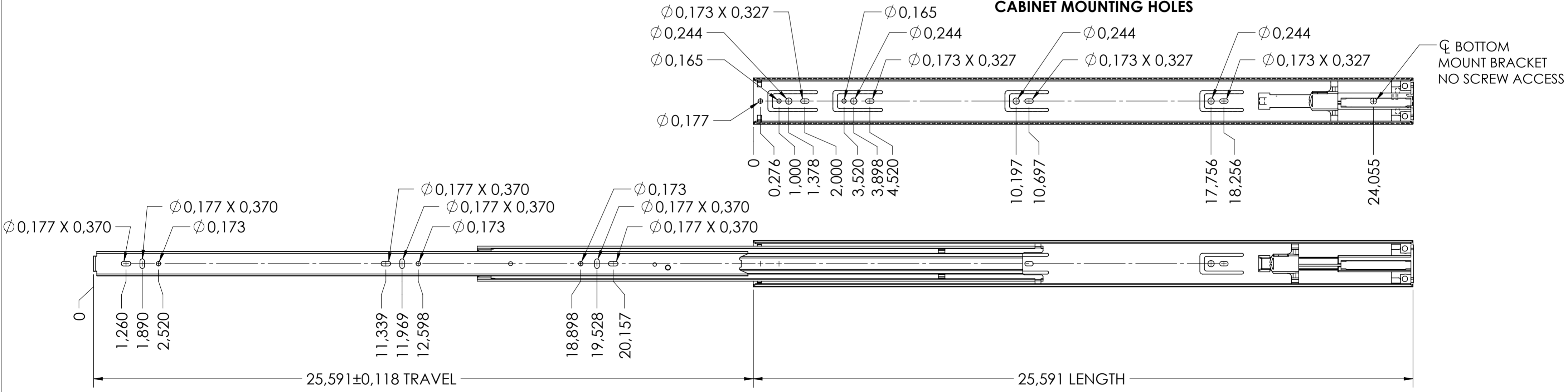


# 5001.650-GA.T001

X



### CABINET MOUNTING HOLES



**ECD SPRING FORCE: 19N ± 2N PER SLIDE**

RECOMMENDED HARDWARE:  
 CABINET- 3.5MM SPAX M4 BUTTON HEAD OR #8 TRUSS HEAD SCREW  
 DRAWER- 3.5MM SPAX M4 BUTTON HEAD OR #8 TRUSS HEAD SCREW

general tolerances		missing dimensions see 3D = theor. intersection	
ISO 2768-m			
This drawing remains our property and may not be multiplied neither be disclosed to third parties (§§1,3 and 5 from the copyright Act (UrhG)) covered according to DIN ISO 16016			
scale:	3:8	surface:	material: semi finished parts: A2
date:	29-10-2018	name:	HB
proven:	00-00-0000	00	
<b>Fulterer</b>		description: SIDE MOUNT FULL EXTENSION DRAWER SLIDE WITH SOFT-CLOSE & DRAWER DISCONNECT	
Fulterer AG & Co KG A-6890 Lustenau / Austria		drawing number: 5001.650-GA.T001	
Fulterer AG CH-9430 St. Margrethen		replaces version date:	
ind. changes	date	na.	