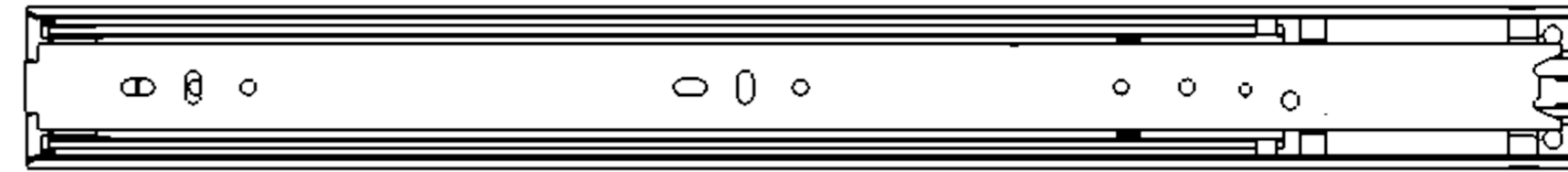
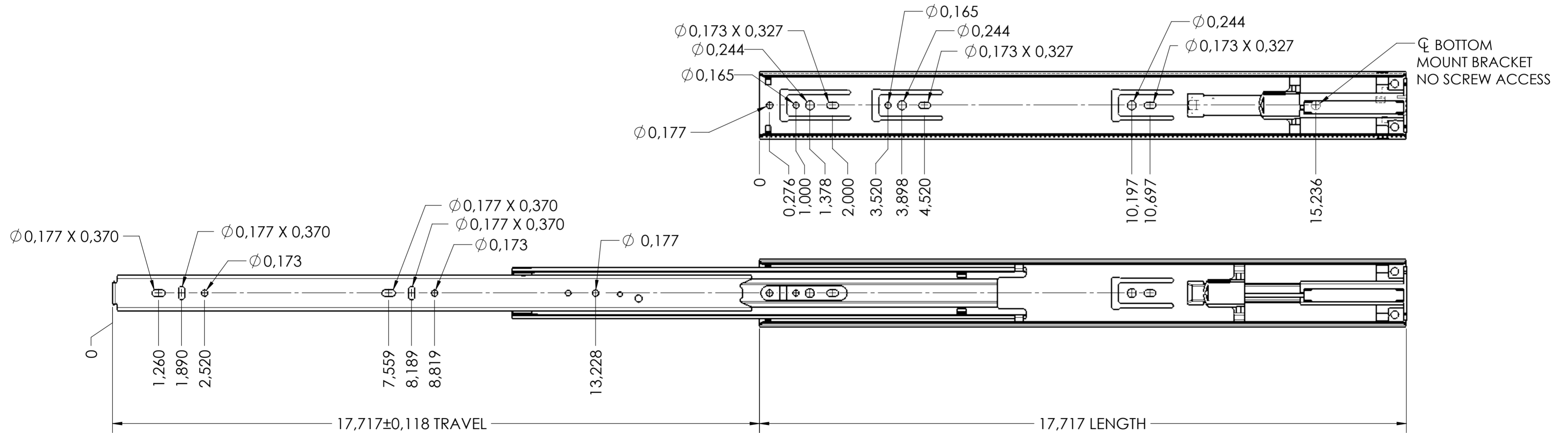


SCALE 1:1



### CABINET MOUNTING HOLES



$\phi$  BOTTOM MOUNT BRACKET  
 NO SCREW ACCESS

**ECD SPRING FORCE: 19N  $\pm$  2N PER SLIDE**

RECOMMENDED HARDWARE:

CABINET- 3.5MM SPAX M4 BUTTON HEAD OR #8 TRUSS HEAD SCREW

DRAWER- 3.5MM SPAX M4 BUTTON HEAD OR #8 TRUSS HEAD SCREW

general tolerances		DIN ISO 128-30 missing dimensions see 3D = theor. intersection	
ISO 2768-m			
This drawing remains our property and may not be multiplied neither be disclosed to third parties (§§1,3 and 5 from the copyright Act (UrhG)) covered according to DIN ISO 16016			
(k)		scale:	surface:
(l)		1:2	
(m)		date	name
(n)		drawn 16-05-2019	HB
(o)		proven 00-00-0000	00
(p)		<b>Fulterer</b>	
(q)			
(r)		Fulterer AG & Co KG A-6890 Lustenau / Austria	
(s)		Fulterer AG CH-9430 St. Margrethen	
(t)		drawing number: <b>5001.450-GA.T049</b>	
(u)		replaces version date:	
(v)		ind.	changes
(w)		date	na.
(x)		00-00-0000	0