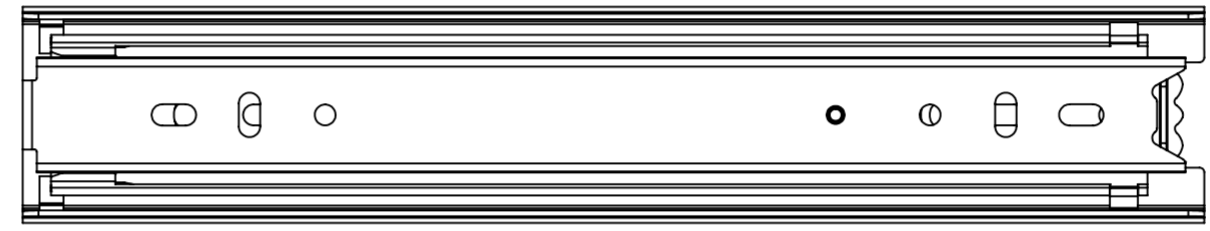
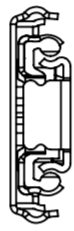
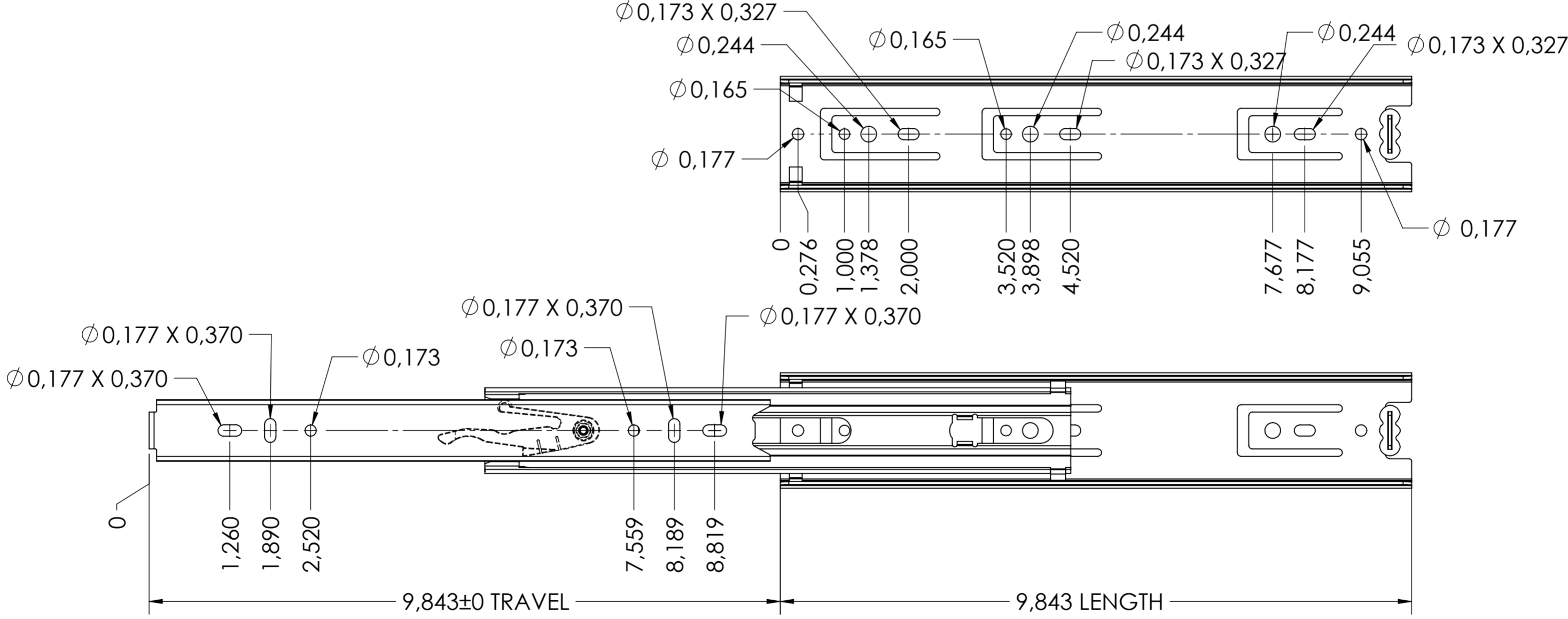


SCALE 1:1



**CABINET MOUNTING HOLES**



RECOMMENDED HARDWARE:  
 CABINET- SPAX 3.5mm M4 BUTTON HEAD OR #8 TRUSS HEAD SCREW  
 DRAWER- SPAX 3.5mm M4 BUTTON HEAD OR #8 TRUSS HEAD SCREW

general tolerances				missing dimensions see 3D = theor. intersection	
ISO 2768-m					
This drawing remains our property and may not be multiplied neither be disclosed to third parties (§§1,3 and 5 from the copyright Act (UrhG)) covered according to DIN ISO 16016					
(k)		scale:	5:85:8	surface:	material, semi finished parts: 304 STAINLESS STEEL (technical requirements Fulterer)
(l)		date	12-10-2018	name	HB
(m)		drawn	12-10-2018	proven	00-00-0000 00
(n)					
(o)					
(p)					
(q)					
(r)					
(s)					
(t)					
(u)					
(v)					
(w)					
(x)					
(y)					
(z)					
(a)	0	00-00-0000	0		
(b)				<b>Fulterer AG &amp; Co KG</b> A-6890 Lustenau / Austria <b>Fulterer AG</b> CH-9430 St. Margrethen	
(c)				description: STAINLESS STEEL SIDE MOUNT STAINLESS STEEL SIDE MOUNT FULL EXTENSION DRAWER SLIDE WITH DRAWER RELEASE drawing number: <b>5002.250-GA.T015</b> replaces version date:	
(d)	ind.	changes	date	na.	