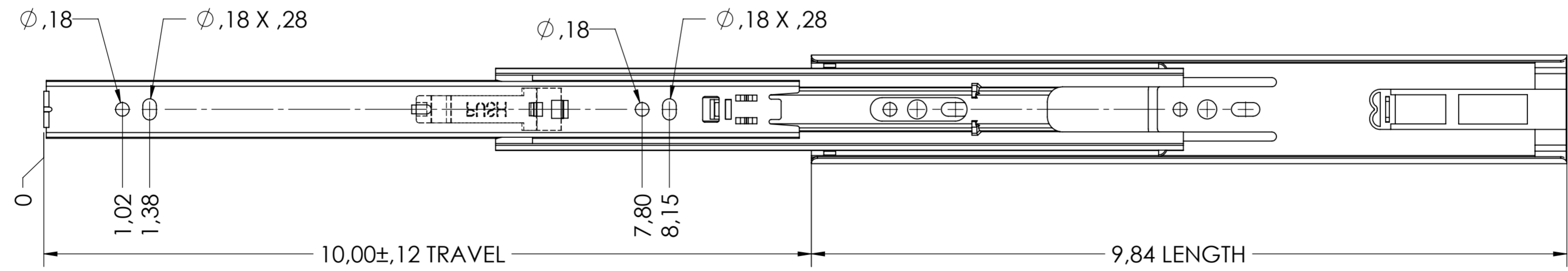
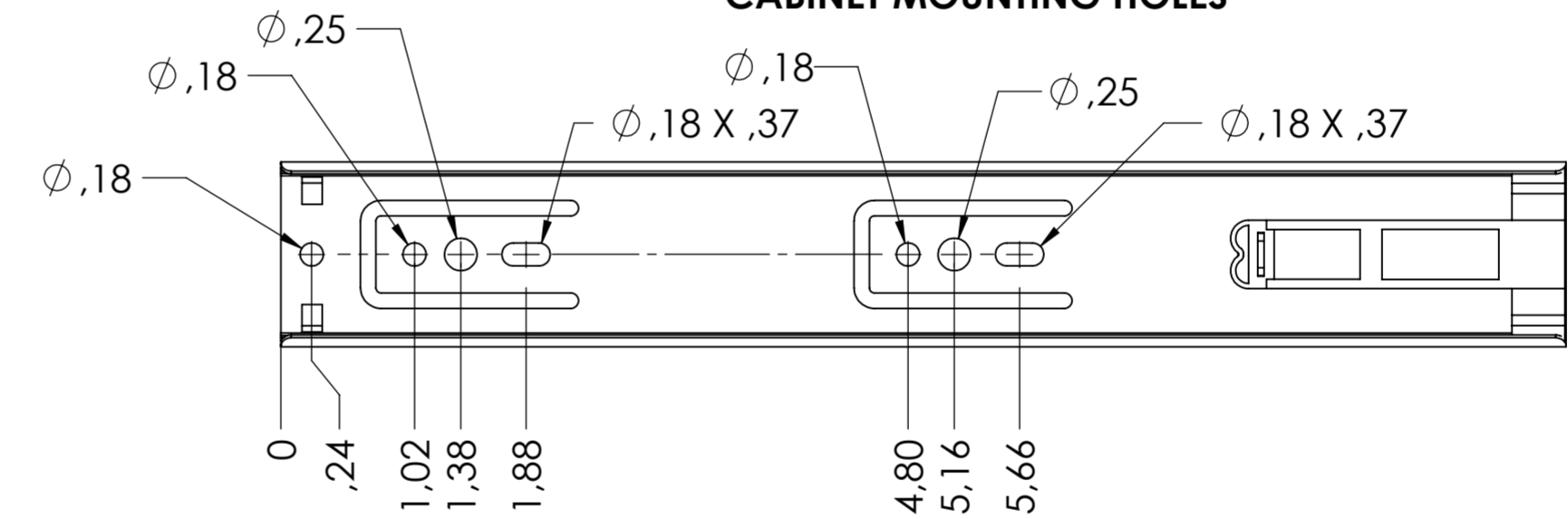


**CABINET MOUNTING HOLES**



RECOMMENDED HARDWARE:  
 CABINET- M4 BUTTON HEAD OR #8 TRUSS HEAD SCREW  
 DRAWER- M4 BUTTON HEAD OR #8 TRUSS HEAD SCREW

general tolerances		missing dimensions see 3D	
ISO 2768-m		= theor. intersection	
This drawing remains our property and may not be multiplied neither be disclosed to third parties (§§1,3 and 5 from the copyright Act (UrhG)) covered according to DIN ISO 16016			
scale: 3:4		surface: A2	
date: 23-10-2018		name: HB	
drawn: 00-00-0000		description: SIDE MOUNT FULL EXTENSION SIDE MOUNT FULL EXTENSION SELF-CLOSING DRAWER SLIDE	
proven: 00-00-0000		drawing number: 5036.250-GA.T010	
		replaces version date:	
Fulterer AG & Co KG A-6890 Lustenau / Austria Fulterer AG CH-9430 St. Margrethen			
ind.	changes	date	na.