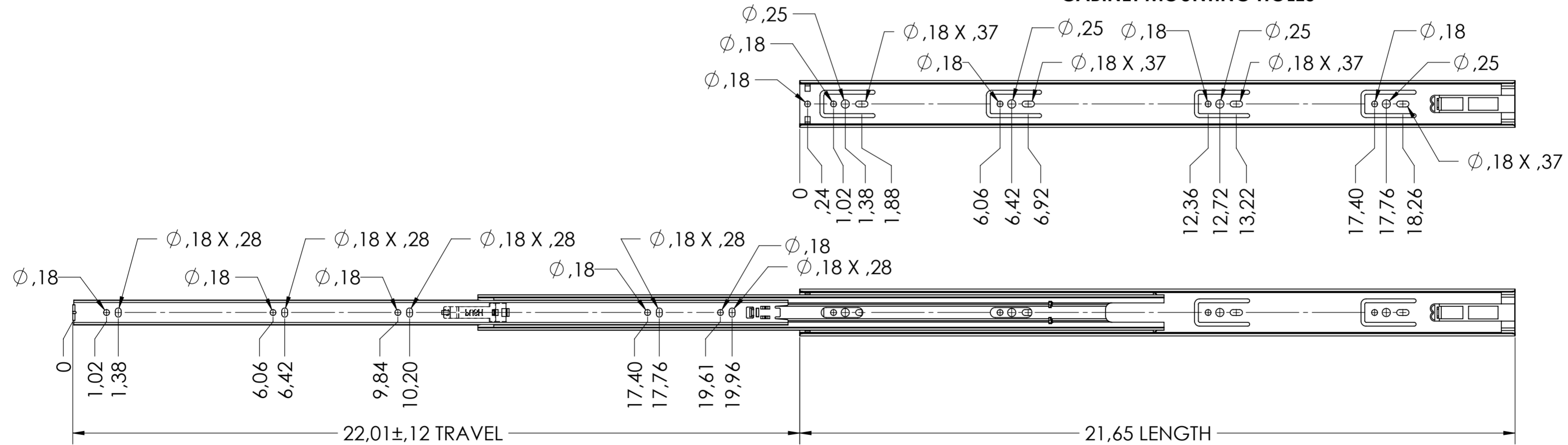


### CABINET MOUNTING HOLES



#### RECOMMENDED HARDWARE:

CABINET- M4 BUTTON HEAD OR #8 TRUSS HEAD SCREW

DRAWER- M4 BUTTON HEAD OR #8 TRUSS HEAD SCREW

general tolerances				missing dimensions see 3D	
ISO 2768-m				$\varnothing$ = theor. intersection	
This drawing remains our property and may not be multiplied neither be disclosed to third parties (§§1,3 and 5 from the copyright Act (UrhG))					
covered according to DIN ISO 16016				scale:	surface:
(k)				3:8	
(l)				date	name
(m)				drawn 23-10-2018	HB
(n)				proven 00-00-0000	00
(o)				<b>Fulterer</b>	
(p)					
(q)				Fulterer AG & Co KG	
(r)				A-6890 Lustenau / Austria	
(s)				Fulterer AG	
(t)				CH-9430 St. Margrethen	
(u)				drawing number:	
(v)				<b>5036.550-GA.T010</b>	
(w)				replaces version date:	
(x)					
(y)					
(z)					
ind.	changes	date	na.		