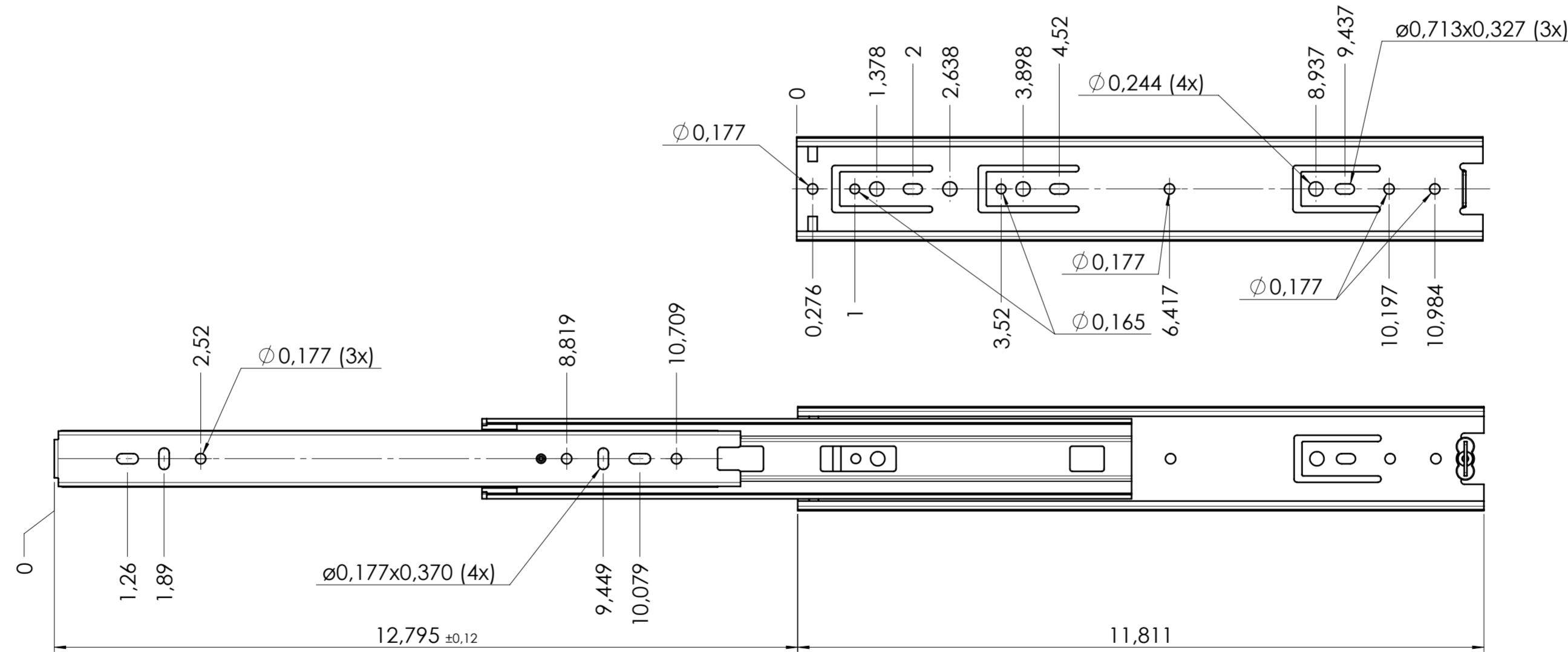


CABINET MOUNTING HOLES



RECOMMENDED HARDWARE:
 CABINET- 3.5mm SPAX M4 BUTTON HEAD OR #8 TRUSS HEAD SCREW
 DRAWER- 3.5mm SPAX M4 BUTTON HEAD OR #8 TRUSS HEAD SCREW

general tolerances		stamping part according Fulterer W18-001		plastic part according DIN ISO 16742 TG4		DIN ISO 128-30 missing dimensions see 3D = theor. intersection	
This drawing remains our property and may not be multiplied neither be disclosed to third parties (§§1,3 and 5 from the copyright Act (UrhG)) covered according to DIN ISO 16016							
(k)				scale:	1:2	surface:	material, semi finished parts: Steel
(l)				date	12-04-2022	name	CS
(m)				drawn	00-00-0000	00	description: SIDE MOUNT OVER EXTENSION DRAWER SLIDE WITH DRAWER DISCONNECT
(n)				proven			
(o)				Fulterer		drawing number: 5046.300-GA.C030A	
(p)						replaces version date:	
(q)				Fulterer AG & Co KG A-6890 Lustenau / Austria		drawing number: 5046.300-GA.C030A	
(r)				Fulterer AG CH-9430 St. Margrethen		replaces version date:	
(s)				ind.	changes	date	na.