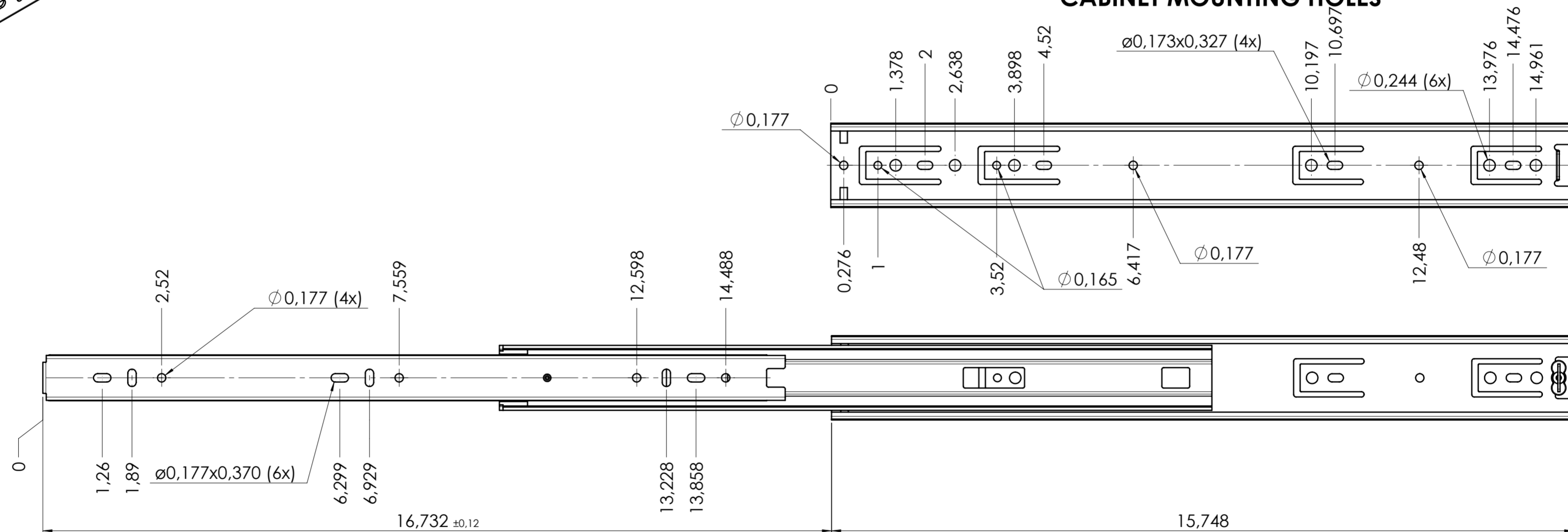


CABINET MOUNTING HOLES



RECOMMENDED HARDWARE:

CABINET- 3.5mm SPAX M4 BUTTON HEAD OR #8 TRUSS HEAD SCREW

DRAWER- 3.5mm SPAX M4 BUTTON HEAD OR #8 TRUSS HEAD SCREW

general tolerances		DIN ISO 128-30	
stamping part according Fulterer W18-001	plastic part according DIN ISO 16742 TG4	missing dimensions see 3D = theor. intersection	
This drawing remains our property and may not be multiplied neither be disclosed to third parties (§§1,3 and 5 from the copyright Act (UrhG)) covered according to DIN ISO 16016			
(k)	scale:	1:2	surface:
(l)	date	12-04-2022	name
(m)	drawn	CS	description:
(n)	proven	00-00-0000	00
(o)	Fulterer		SIDE MOUNT OVER EXTENSION DRAWER SLIDE WITH DRAWER DISCONNECT
(p)			material, semi finished parts:
(q)	Fulterer AG & Co KG A-6890 Lustenau / Austria		Steel
(r)	Fulterer AG CH-9430 St. Margrethen		(technical requirements Fulterer)
(s)	drawing number:		A2
(t)	5046.400-GA.C030A		
(u)	replaces version date:		
(v)	changes	date	na.