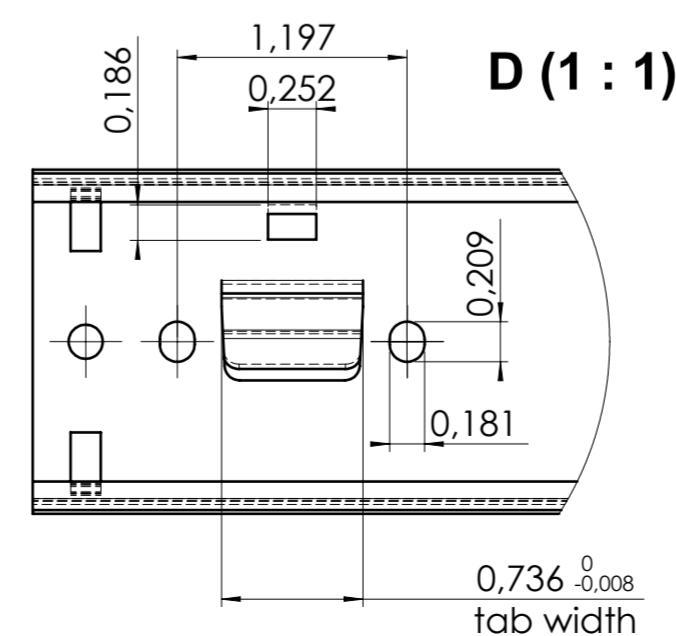
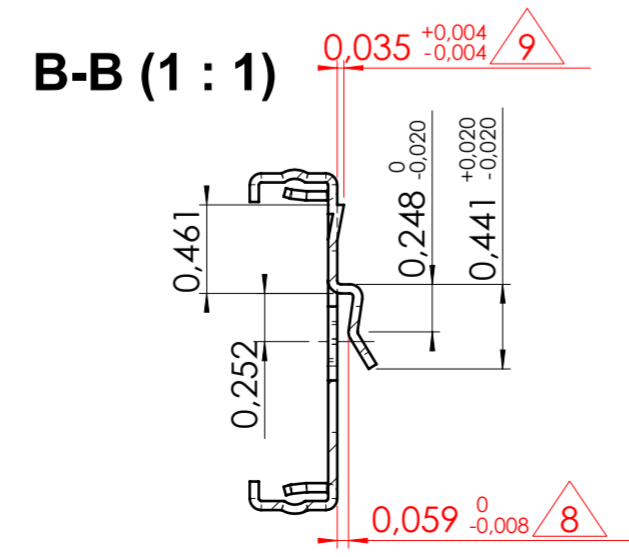
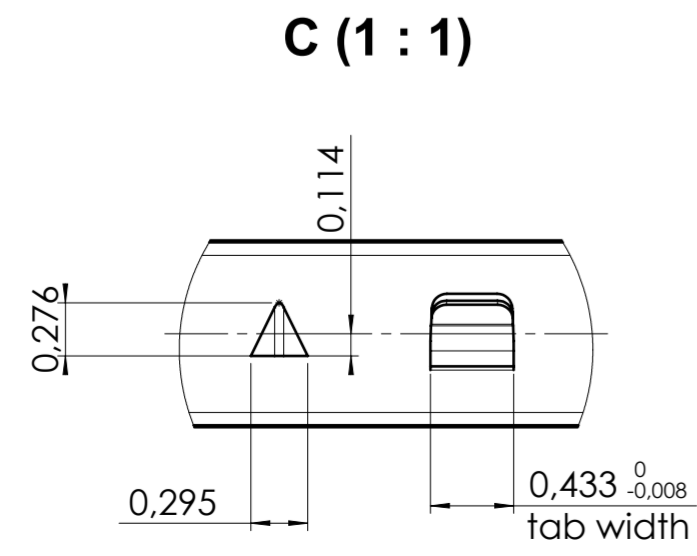
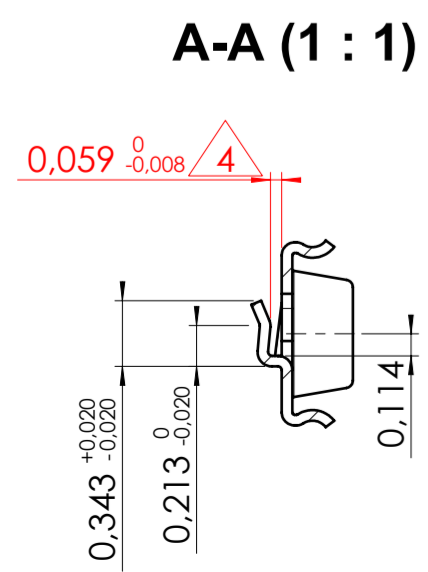
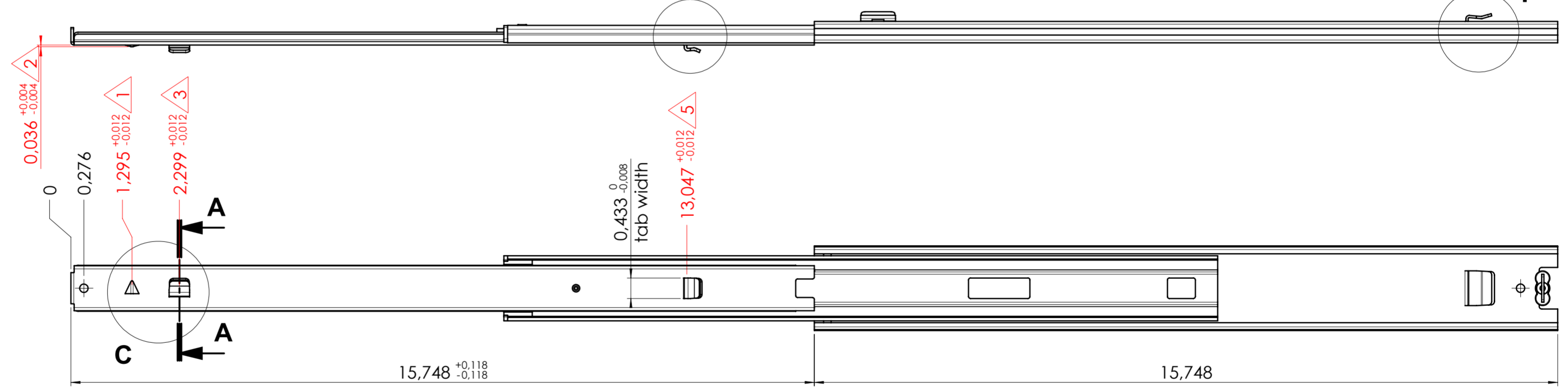
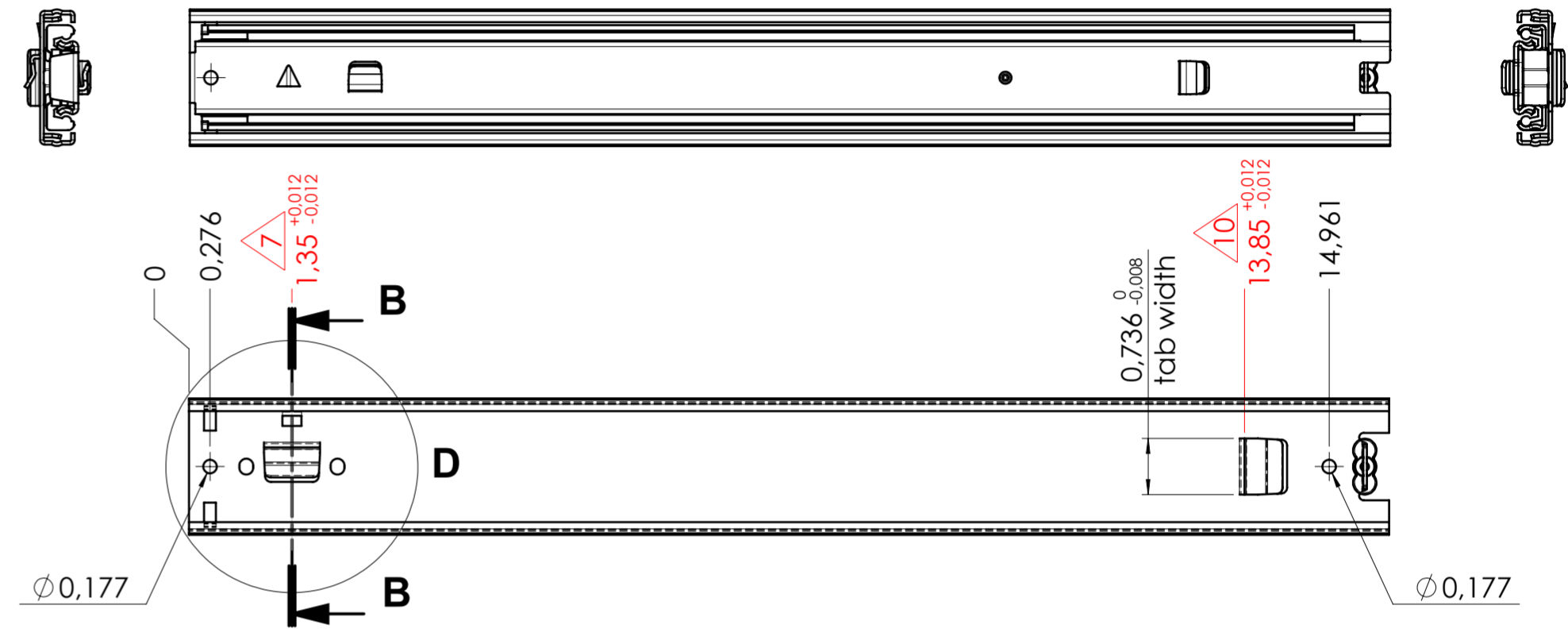
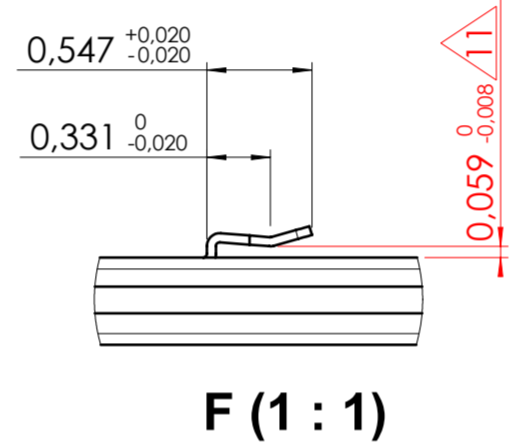
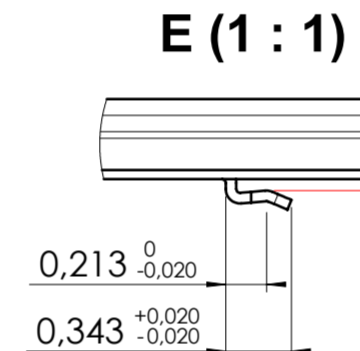
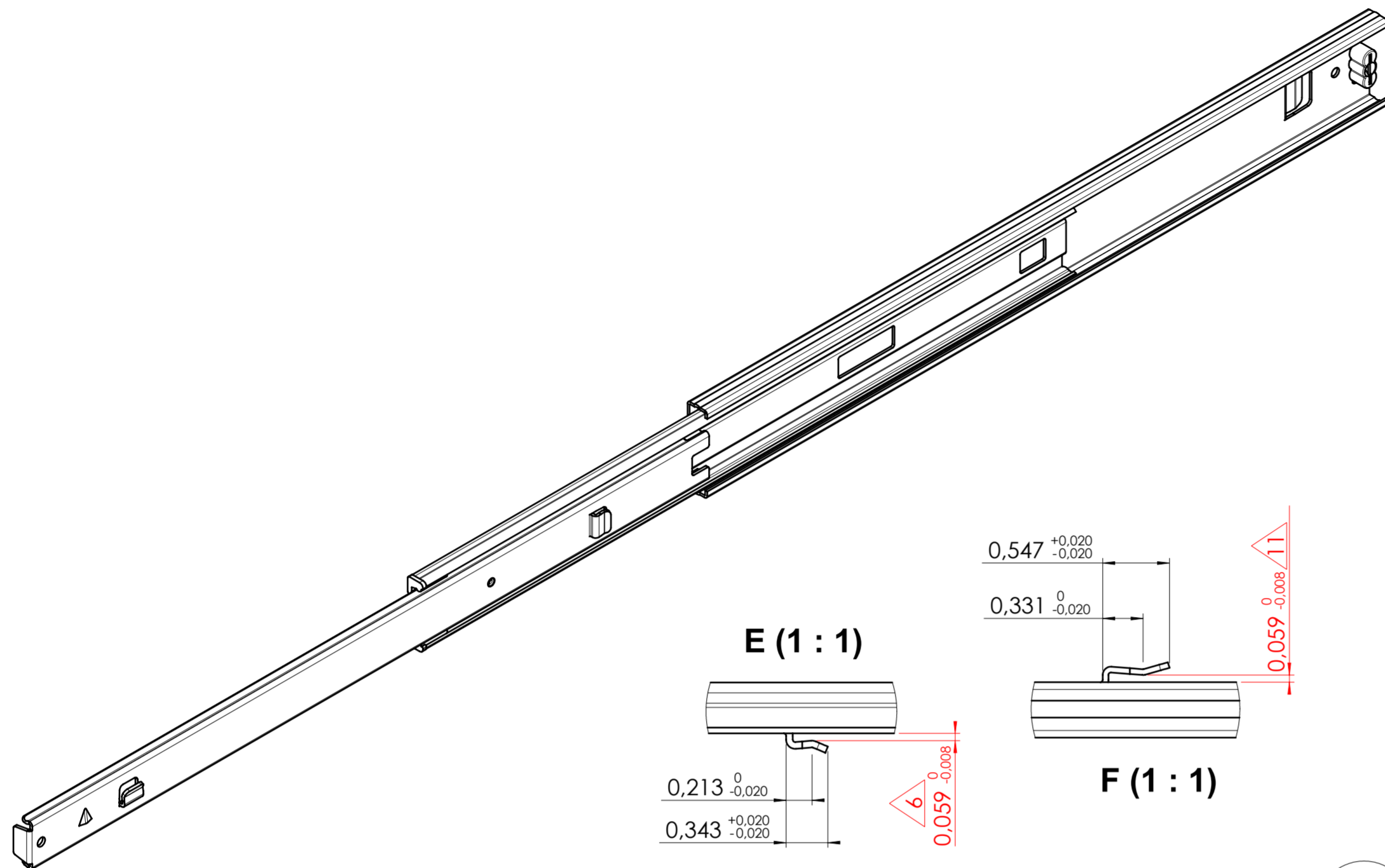
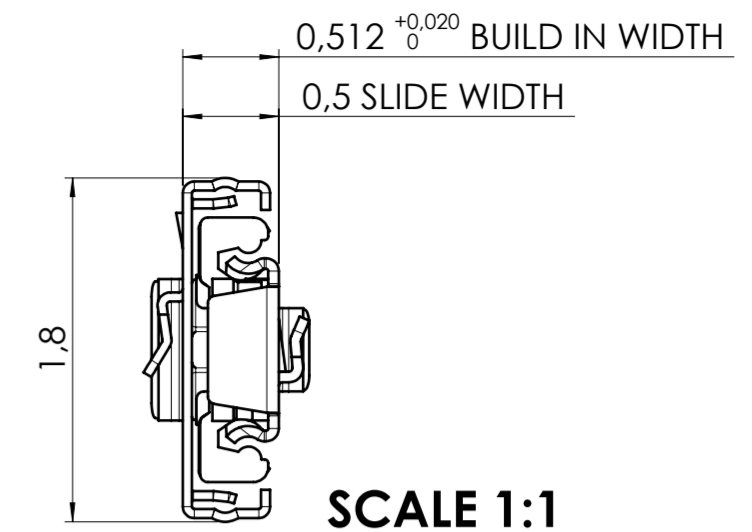


X



xx = check dimension, next free check number 12

general tolerances		DIN ISO 128-30	
stamping part according Fulterer W18-001	plastic part according DIN ISO 16742 TG4	missing dimensions see 3D = theor. intersection	
This drawing remains our property and may not be multiplied neither be disclosed to third parties (§§1,3 and 5 from the copyright Act (UrhG)) covered according to DIN ISO 16016			
(k) _____ (l) _____ (m) _____ (n) _____ (o) _____ (p) _____ (q) _____ (r) _____ (s) _____ (t) _____ (u) _____ (v) _____ (w) _____ (x) _____ (y) _____ (z) _____ ind. _____	scale: 1:2	surface:	material, semi finished parts: STEEL (technical requirements Fulterer)
	date 21-04-2022	name CS	description: SIDE MOUNT FULL EXTENSION SMT (1,5) DRAWER SLIDE WITH DRAWER DISCONNECT
	proven 00-00-0000	00	
Fulterer AG & Co KG A-6890 Lustenau / Austria		drawing number: 5046.400-GA.C101A	
Fulterer AG CH-9430 St. Margrethen		replaces version date:	