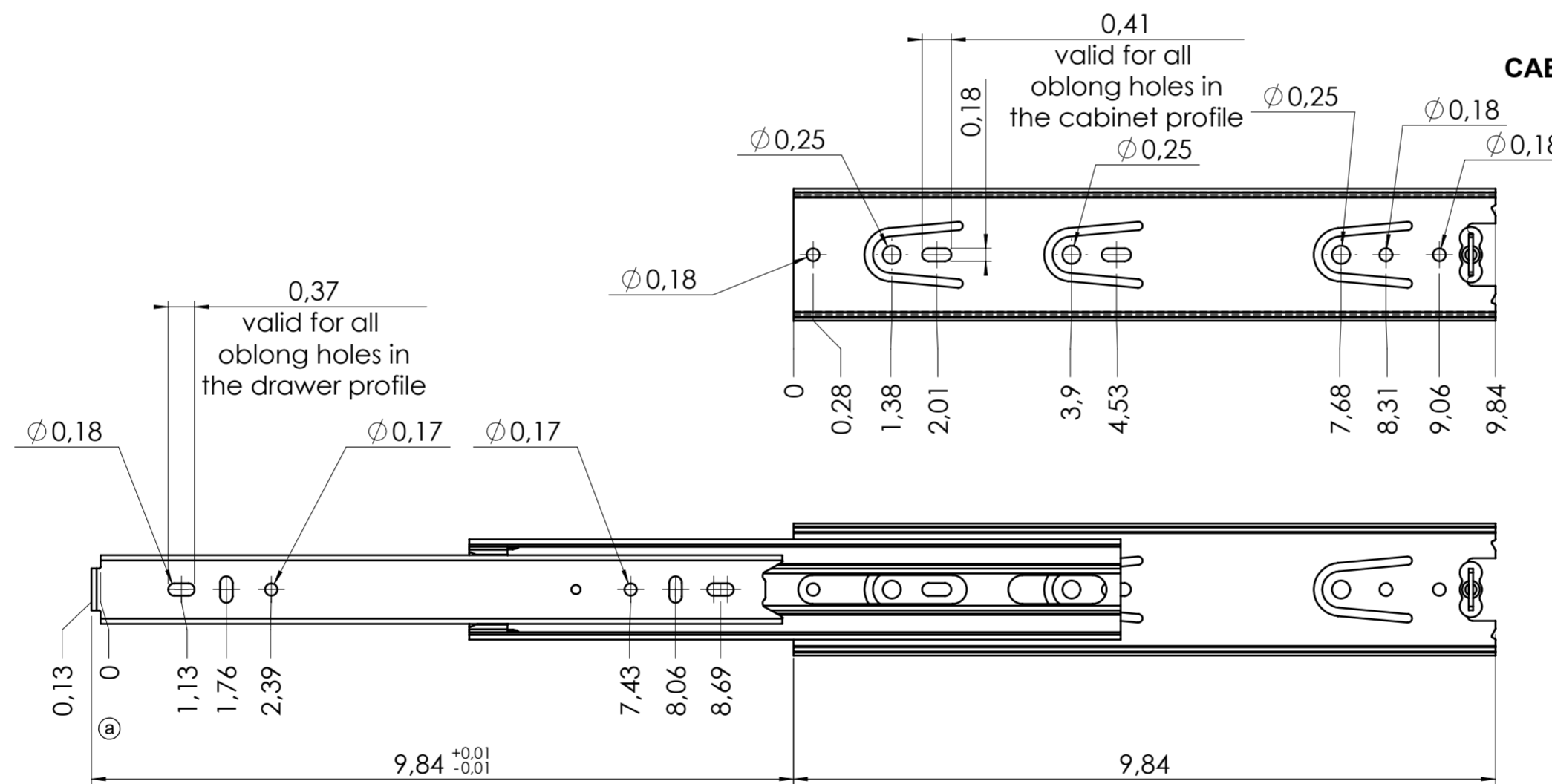


**CABINET MOUNTING HOLES**



xx = check dimension, next free check number 1

**RECOMMENDED HARDWARE:**  
 CABINET- 3.5mm SPAX M4 BUTTON HEAD OR #8 TRUSS HEAD SCREW  
 DRAWER- 3.5mm SPAX M4 BUTTON HEAD OR #8 TRUSS HEAD SCREW

**all dimensions in inch**

⊕ DIN ISO 128-30  
 missing dimensions see 3D  
 = theor. intersection

This drawing remains our property and may not be multiplied neither be disclosed to third parties (§§1,3 and 5 from the copyright Act (UrhG)) covered according to DIN ISO 16016				scale: 1:2	surface:	material, semi finished parts: STEEL (technical requirements Fulterer)	A2
(k)				date	name	description: FR 5047 / 25 EN (inch) SIDE MOUNT FULL EXTENSION STANDARD MOUNTING HOLE DRAWER DISCONNECT	drawing number: <b>5047.250-GA.T000</b>
(l)			drawn 05-05-2022	CS			
(m)			proven 00-00-0000	00			
(n)				<b>Fulterer</b>			
(o)				Fulterer AG & Co KG A-6890 Lustenau / Austria			
(p)				Fulterer AG CH-9430 St. Margrethen			replaces version date:
(q)	Anp. aktuelle Vorlage	07-03-2023	BM				
(r)	ind. changes	date	na.				