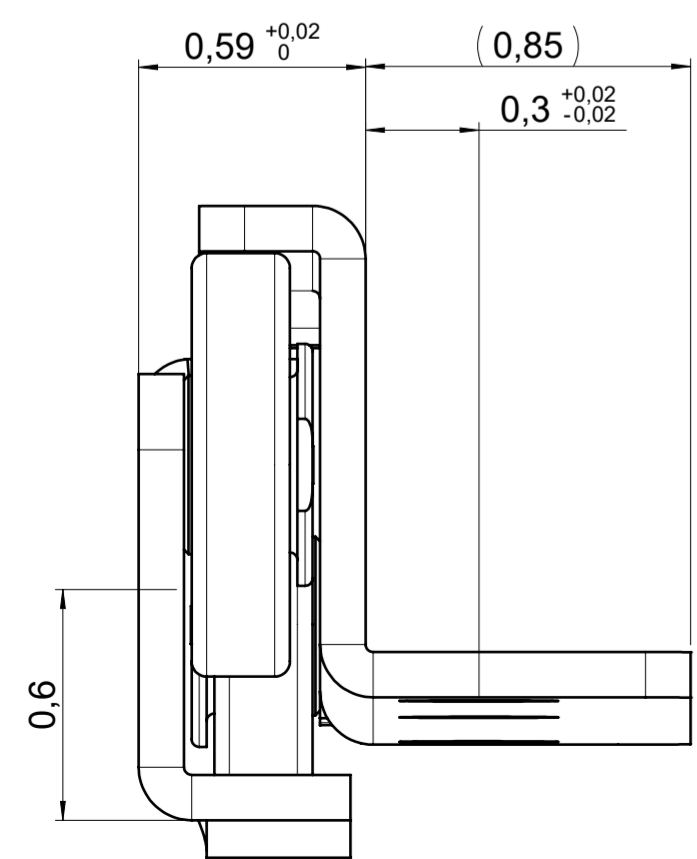
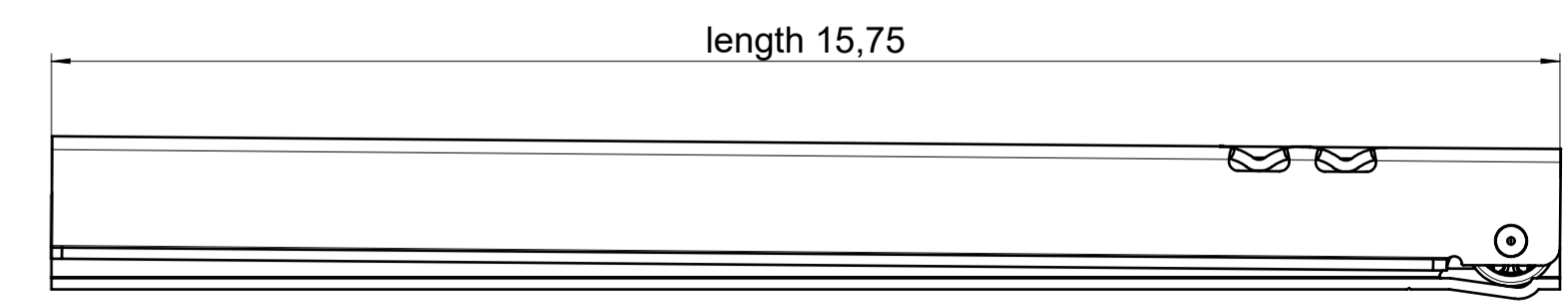
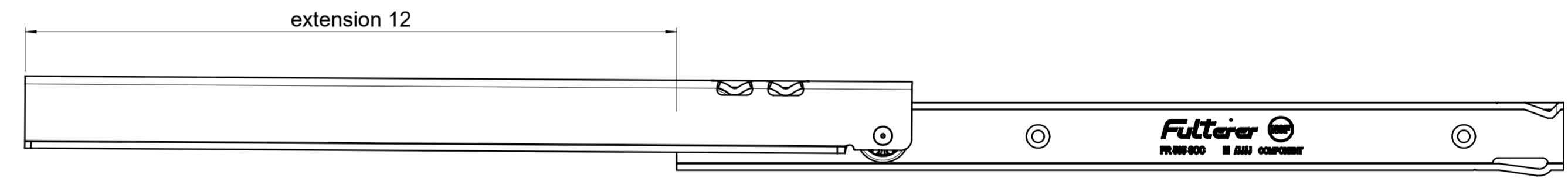
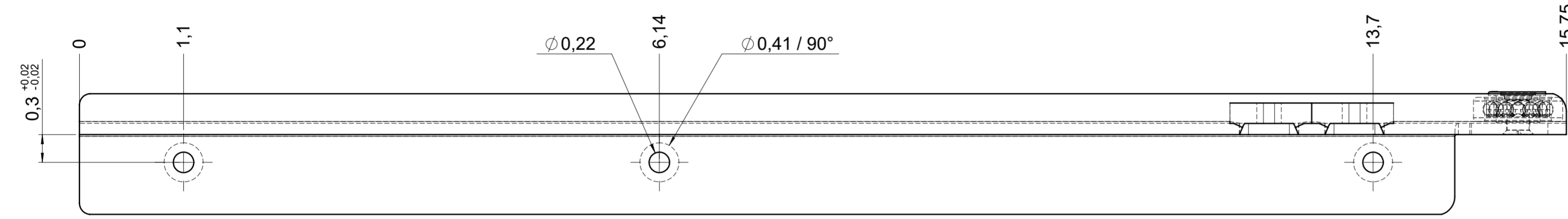
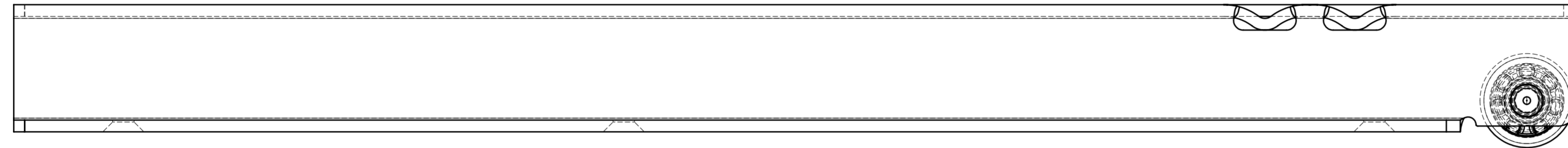
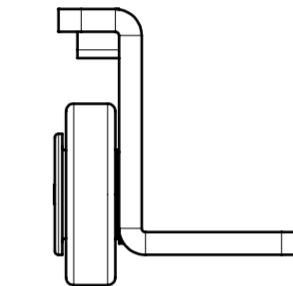
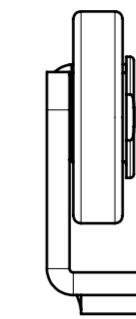
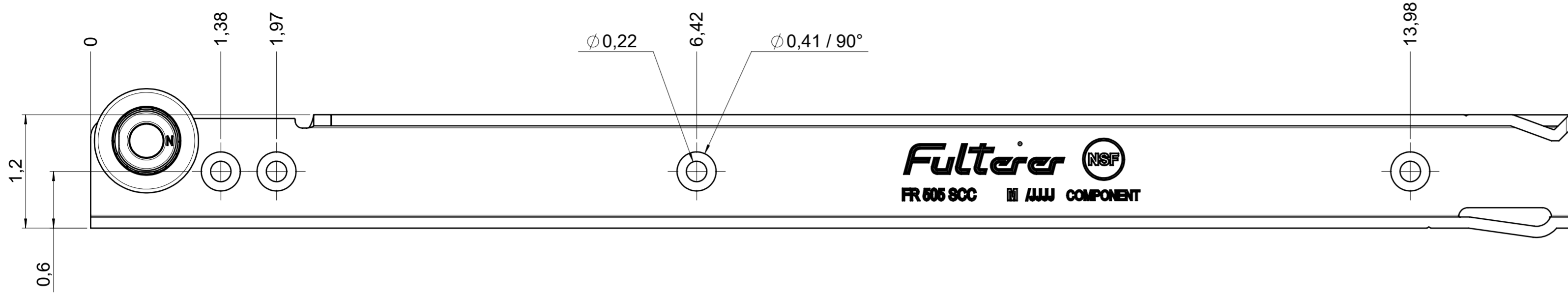


drawn left (right mirrorimage)



**final approval**

customer name:

signed by:

date:

<b>all dimensions in inch</b>				DIN ISO 128-30 missing dimensions see 3D = theor. intersection		
This drawing remains our property and may not be multiplied neither be disclosed to third parties (§§1,3 and 5 from the copyright Act (UrhG)) covered according to DIN ISO 16016						
(k) (l) (i) (h) (g) (f) (e) (d) (c) (b) (a)	scale:	1:1		surface:	material, semi finished parts: <b>CS</b>	
	drawn	date	name	ex	(technical requirements Fulterer)	
	proven	01-02-2023	pr		description:	
					<b>FR 505 / 40 CS EN (inch)</b> regular-extension drawerside / bottom mount	
					drawing number: <b>CS# 505.400-GA.0000</b>	
Fulterer AG & Co KG A-6890 Lustenau / Austria Fulterer AG CH-9430 St. Margrethen				replaces version date:		
ind.	changes	date	na.			