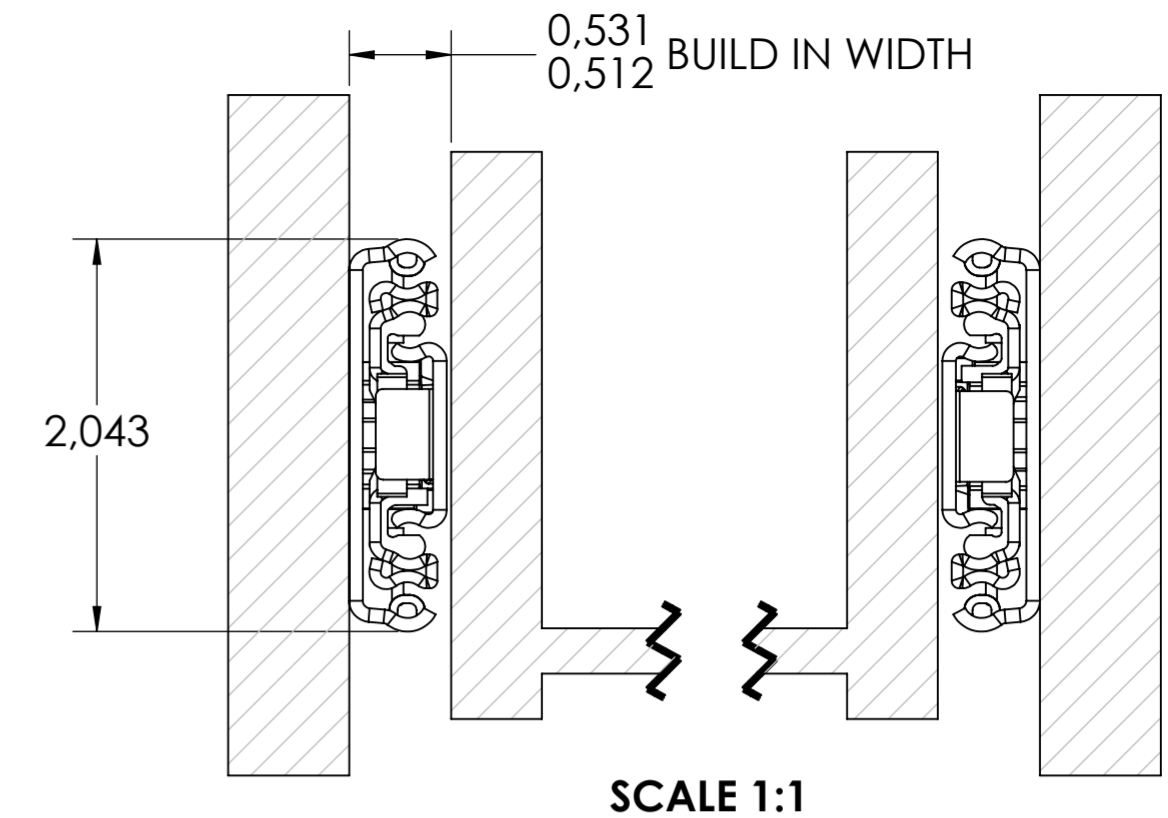
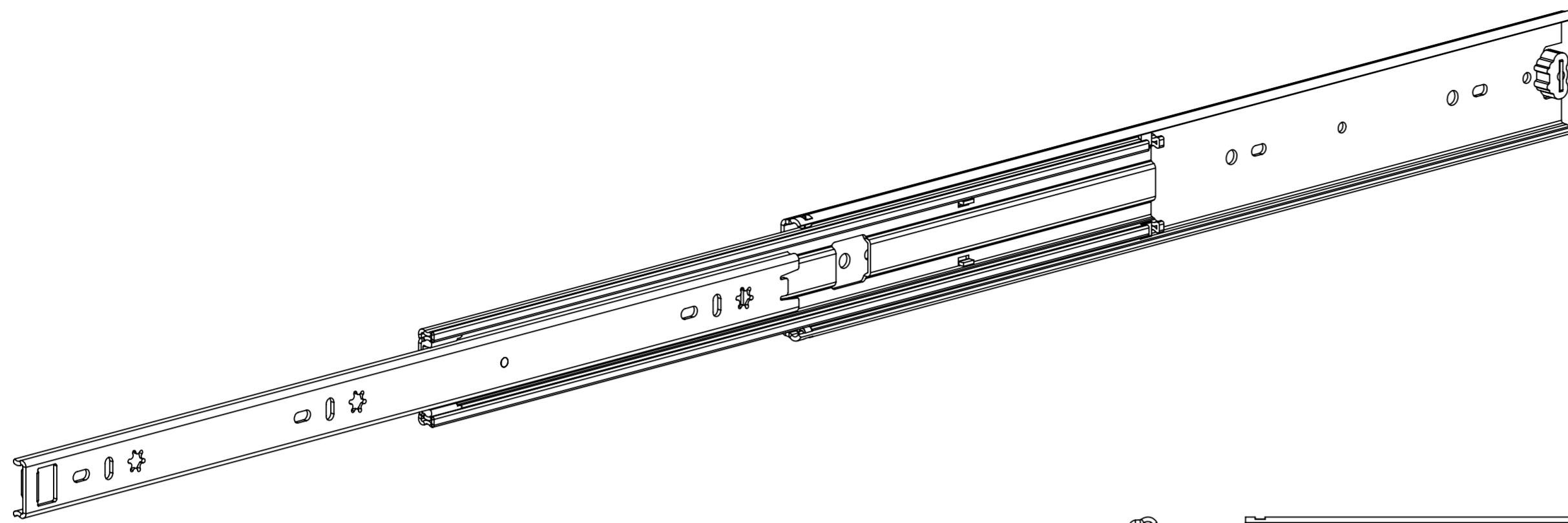
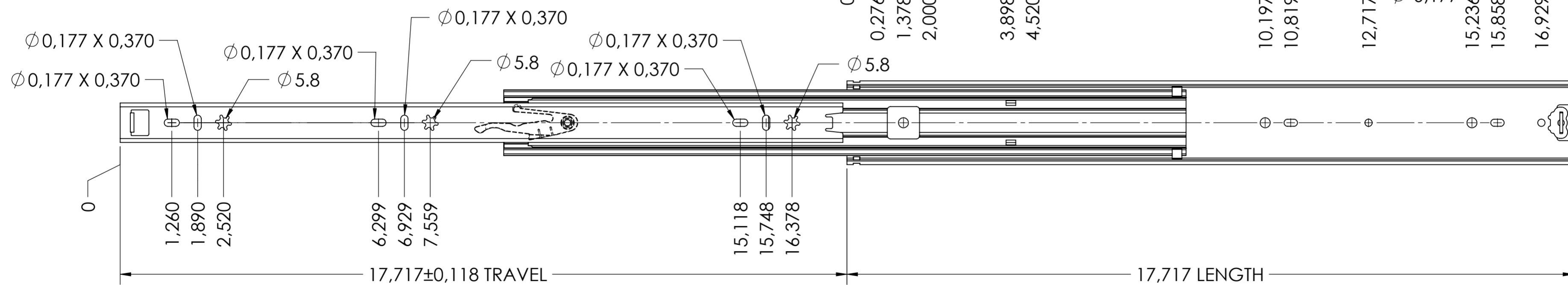
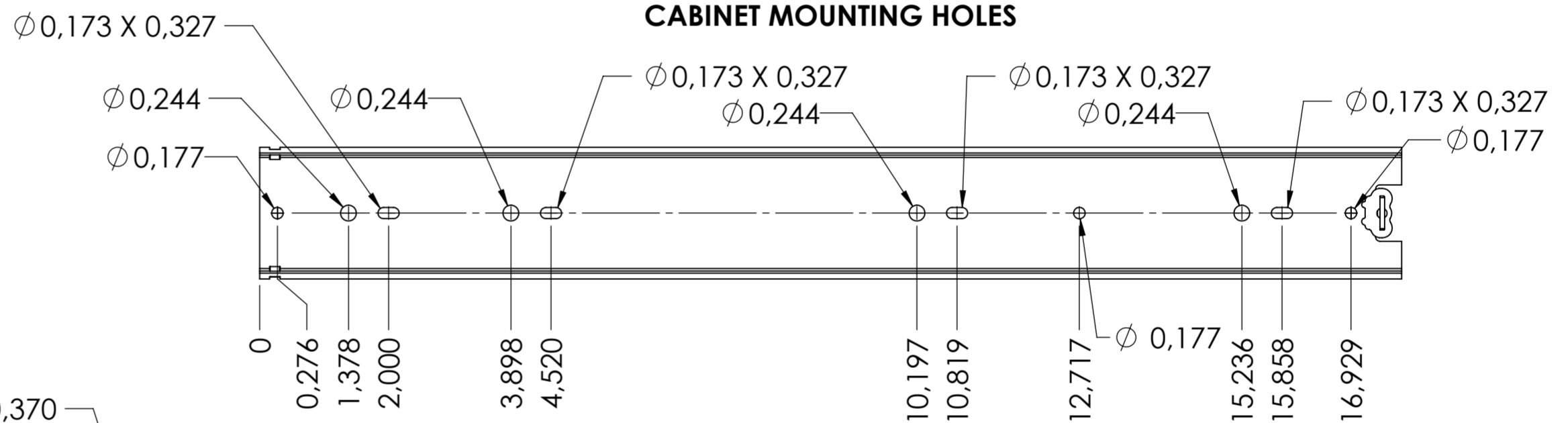


5052.450-GA.T005

X



CABINET MOUNTING HOLES



RECOMMENDED HARDWARE:
CABINET- M4 BUTTON HEAD OR #8 TRUSS HEAD SCREW
DRAWER- M4 BUTTON HEAD OR #8 TRUSS HEAD SCREW

general tolerances				missing dimensions see 3D = theor. intersection	
ISO 2768-m					
This drawing remains our property and may not be multiplied neither be disclosed to third parties (§§1,3 and 5 from the copyright Act (UrhG)) covered according to DIN ISO 16016					
(k)		scale:	1:21:2	surface:	material, semi finished parts: STEEL (technical requirements Fulterer)
(l)		date:	05-10-2018	name:	HB
(m)		drawn:	05-10-2018	proven:	00-00-0000
(n)		Fulterer			description: FULL EXTENSION SIDE MOUNT DRAWER SLIDE WITH DRAWER DISCONNECT
(o)					
(p)		Fulterer AG & Co KG			drawing number: 5052.450-GA.T005
(q)		A-6890 Lustenau / Austria			
(r)		Fulterer AG			replaces version date:
(s)		CH-9430 St. Margrethen			
(t)	0	00-00-0000	0		
(u)	ind.	changes	date	na.	