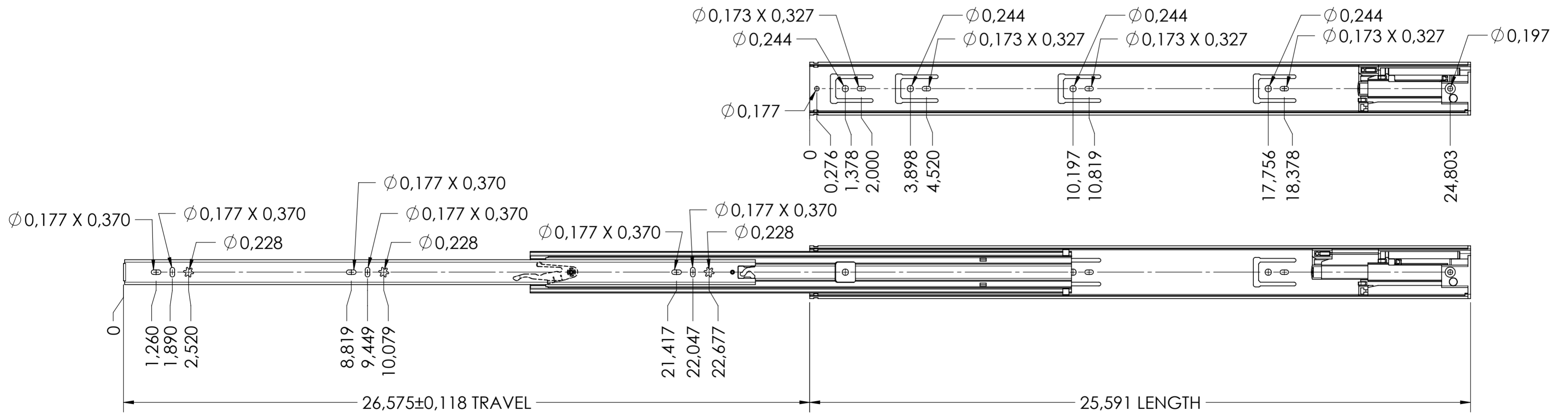


CABINET MOUNTING HOLES



RECOMMENDED HARDWARE:
 CABINET- M4 BUTTON HEAD M5 FLATHEAD #8 TRUSS HEAD #10 FLAT HEAD SCREW
 DRAWER- M4 BUTTON HEAD M5 FLATHEAD #8 TRUSS HEAD #10 FLAT HEAD SCREW

general tolerances		DIN ISO 128-30	
ISO 2768-m		missing dimensions see 3D = theor. intersection	
This drawing remains our property and may not be multiplied neither be disclosed to third parties (§§1,3 and 5 from the copyright Act (UrhG)) covered according to DIN ISO 16016			
(k)	scale:	1:3	surface:
(l)	date:	14-02-2019	name:
(m)	drawn:	HB	description:
(n)	proven:	00-00-0000	00
(o)	Fulterer		SIDE MOUNT OVER EXTENSION DRAWER SLIDE WITH SOFT CLOSE & DRAWER DISCONNECT
(p)			
(q)	Fulterer AG & Co KG		drawing number:
(r)	A-6890 Lustenau / Austria		
(s)	Fulterer AG		5210.650-GA.T031
(t)	CH-9430 St. Margrethen		
(u)	changes	date	replaces version date:
(v)			