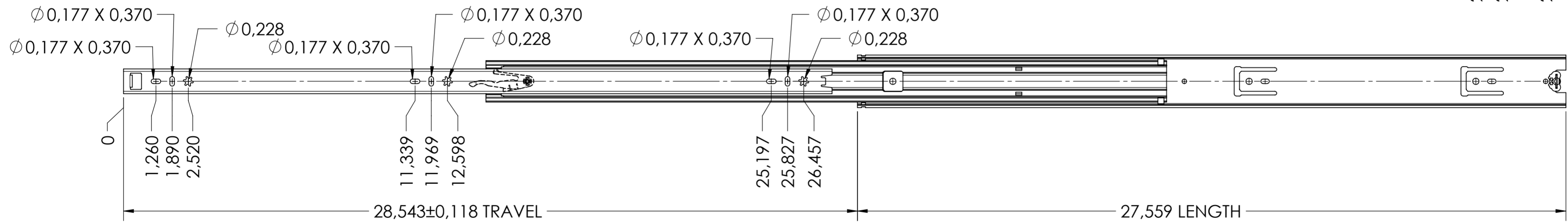
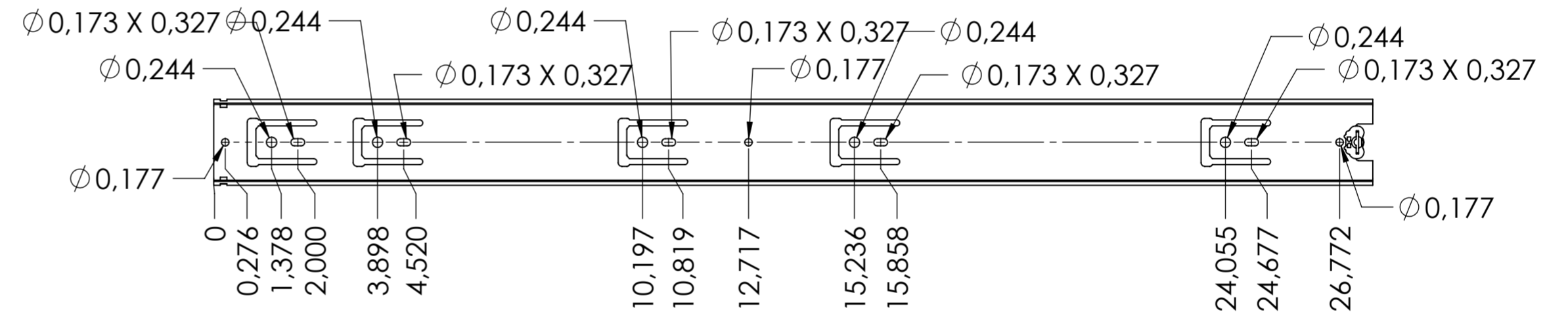


### CABINET MOUNTING HOLES



### RECOMMENDED HARDWARE:

CABINET- M4 BUTTON HEAD M5 FLATHEAD #8 TRUSS HEAD #10 FLAT HEAD SCREW

DRAWER- M4 BUTTON HEAD M5 FLATHEAD #8 TRUSS HEAD #10 FLAT HEAD SCREW

general tolerances		missing dimensions see 3D = theor. intersection	
ISO 2768-m			
This drawing remains our property and may not be multiplied neither be disclosed to third parties (§§1,3 and 5 from the copyright Act (UrhG)) covered according to DIN ISO 16016			
(k)	scale:	1:3	surface:
(l)	date:	06-11-2018	name:
(m)	drawn:	HB	description:
(n)	proven:	00-00-0000	00
(o)	<b>Fulterer</b>		drawing number: <b>5210.700-GA.T030</b>
(p)			
(q)	Fulterer AG & Co KG A-6890 Lustenau / Austria		replaces version date:
(r)	Fulterer AG CH-9430 St. Margrethen		
(s)	ind. changes	date	na.