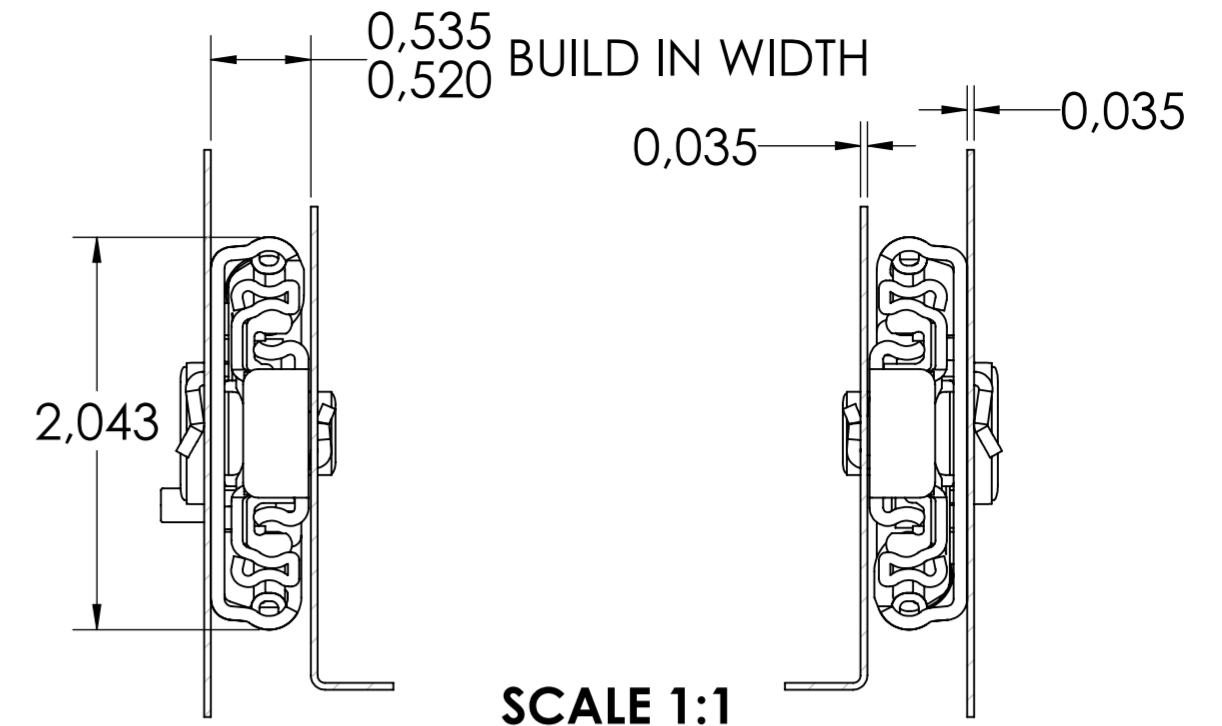
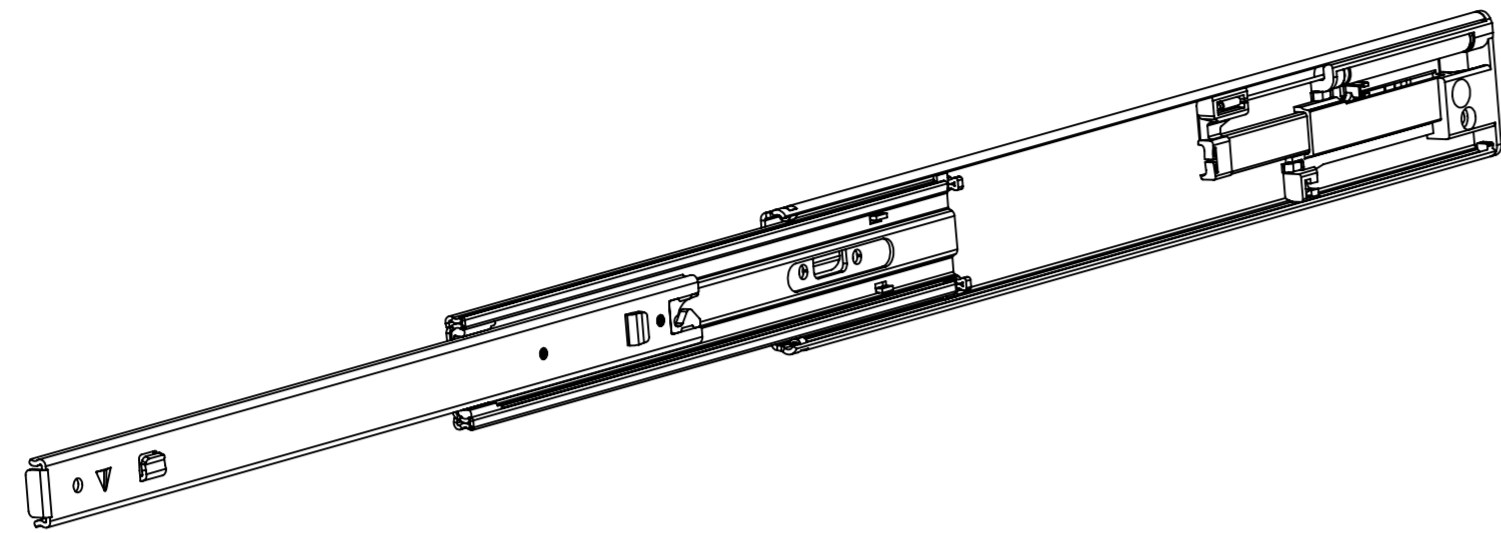
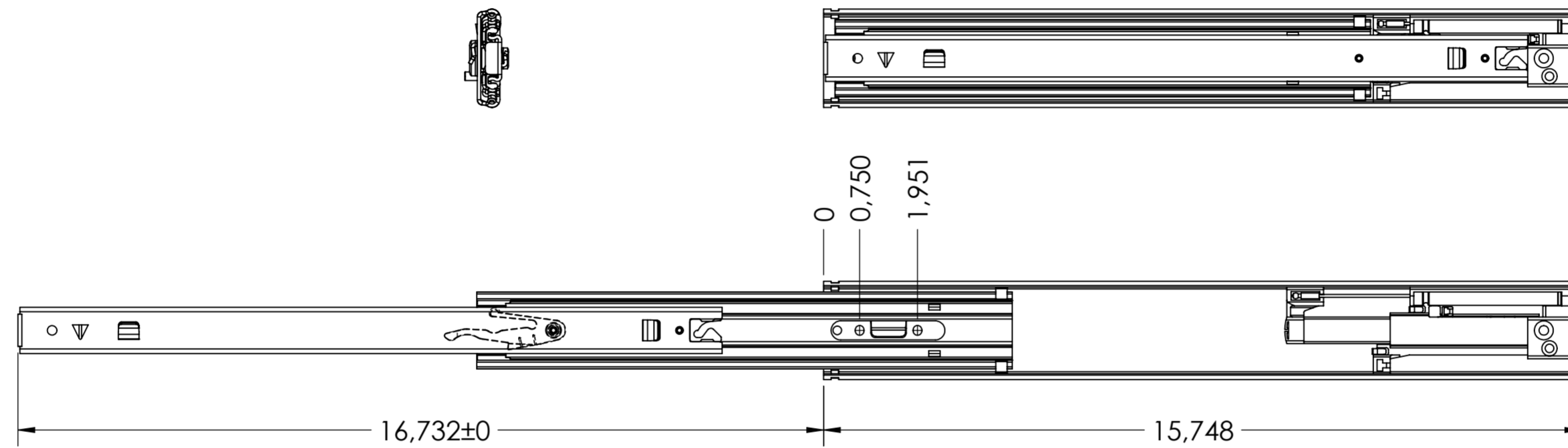


# 5210.400-GA.T106

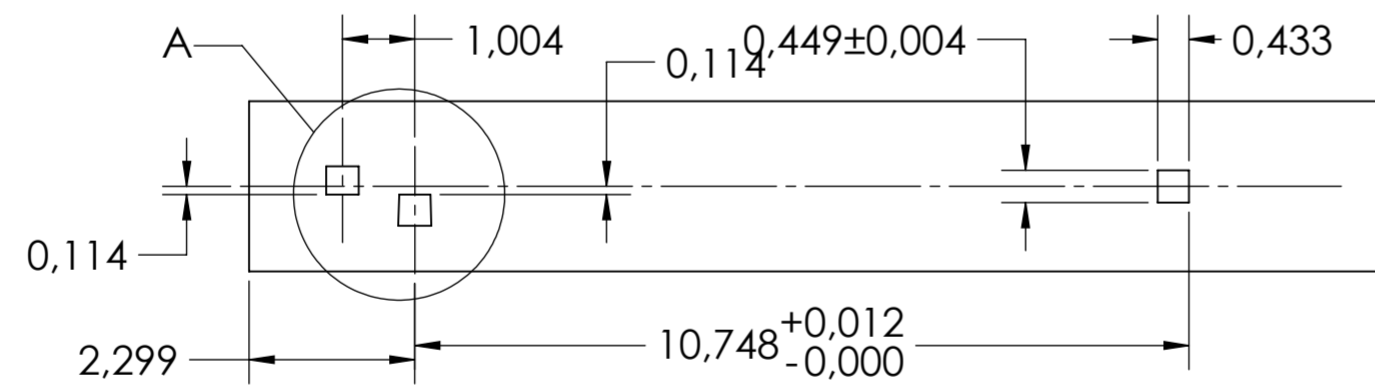
X



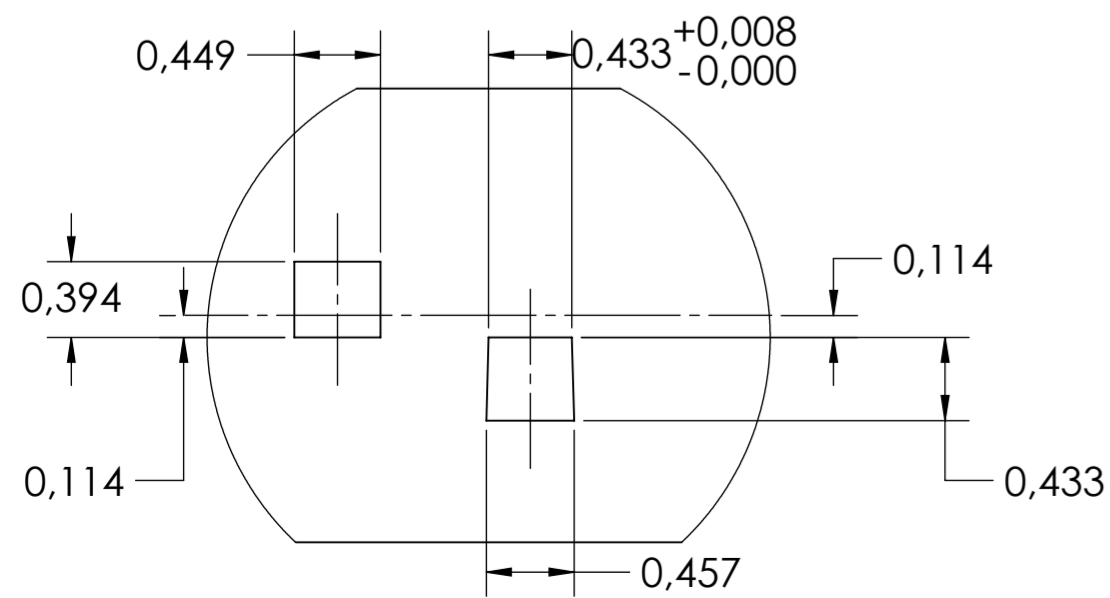
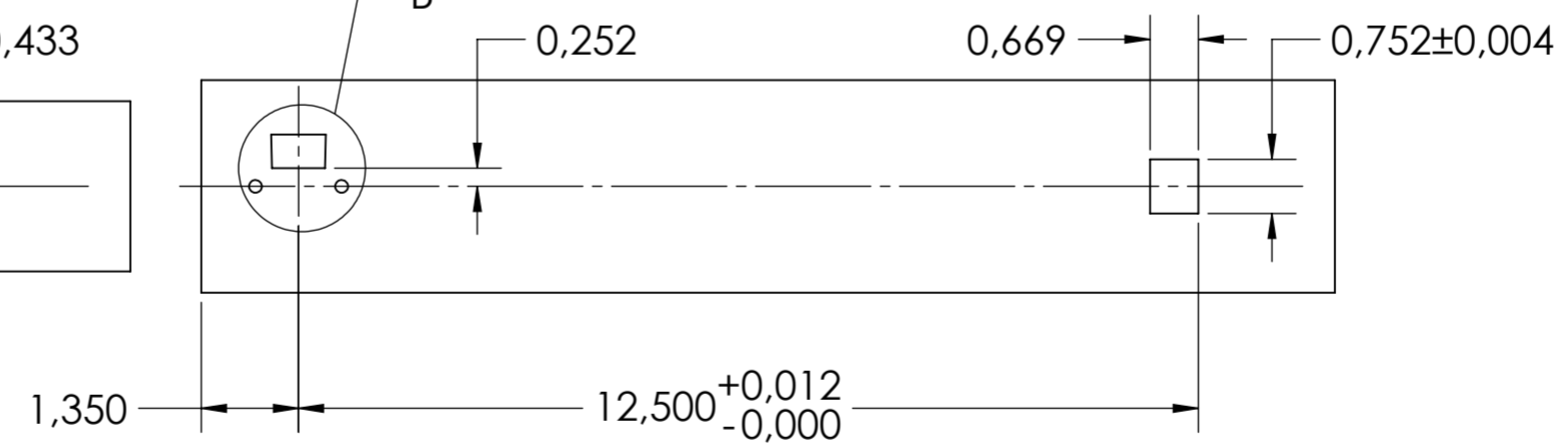
SCALE 1:1



### DRAWER MOUNTING CUTOUTS

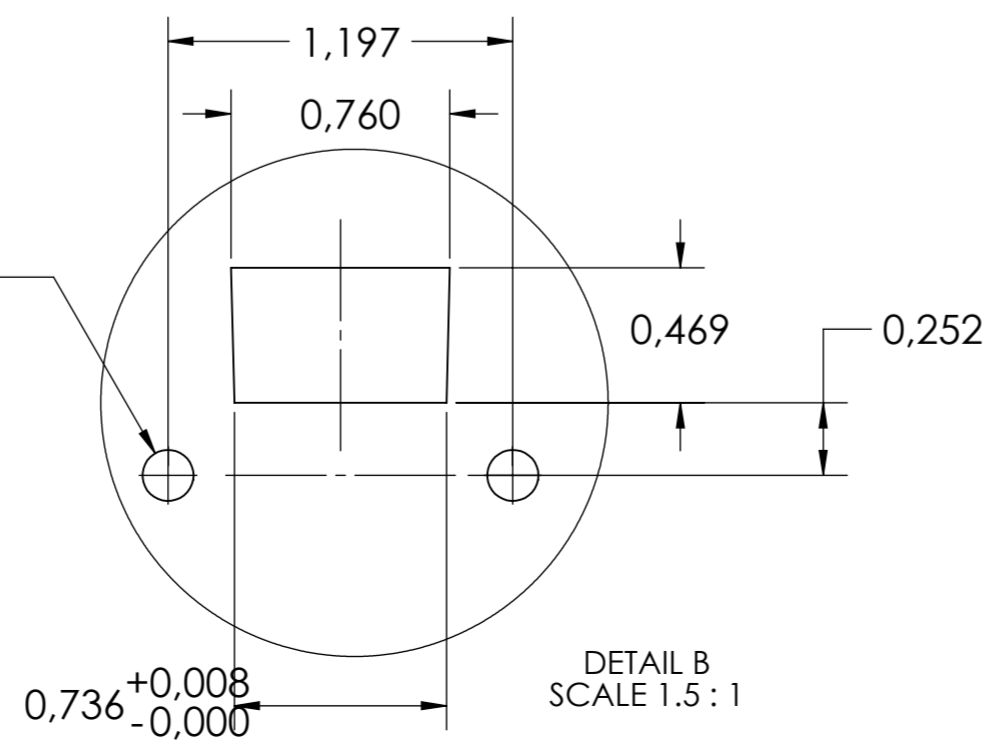


### CABINET MOUNTING CUTOUTS



DETAIL A  
SCALE 1:1

2X Ø 0,177  
OPTIONAL  
FOR RIVETING



DETAIL B  
SCALE 1.5:1

**PULL OUT FORCE: 24N ± 2N (5.4 lbf. ± 0.5 lbf.)**

general tolerances		DIN ISO 128-30 missing dimensions see 3D = theor. intersection	
ISO 2768-m		A2	
This drawing remains our property and may not be multiplied neither be disclosed to third parties (§§1,3 and 5 from the copyright Act (UrhG)) covered according to DIN ISO 16016			
(k)	scale:	3:8	surface:
(l)	date	14-06-2019	name
(m)	drawn	HB	
(n)	proven	00-00-0000	00
(o)	<b>Fulterer</b>		material, semi finished parts:
(p)			STEEL (technical requirements Fulterer)
(q)	Fulterer AG & Co KG A-6890 Lustenau / Austria		description: SIDE MOUNT OVER EXTENSION SMT (0.9) SLIDE WITH SOFT CLOSE & DRAWER DISCONNECT
(r)	Fulterer AG CH-9430 St. Margrethen		
(s)	0	00-00-0000	0
(t)	changes	date	na.
(u)	drawing number: <b>5210.400-GA.T106</b>		replaces version date: