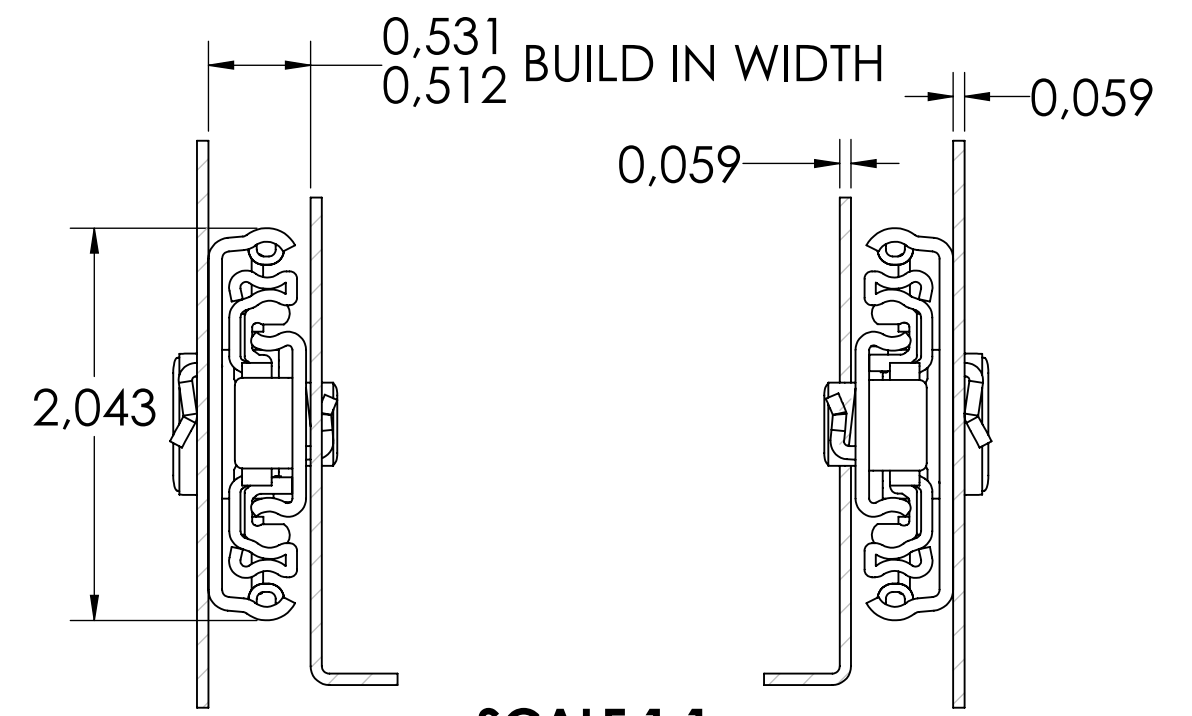
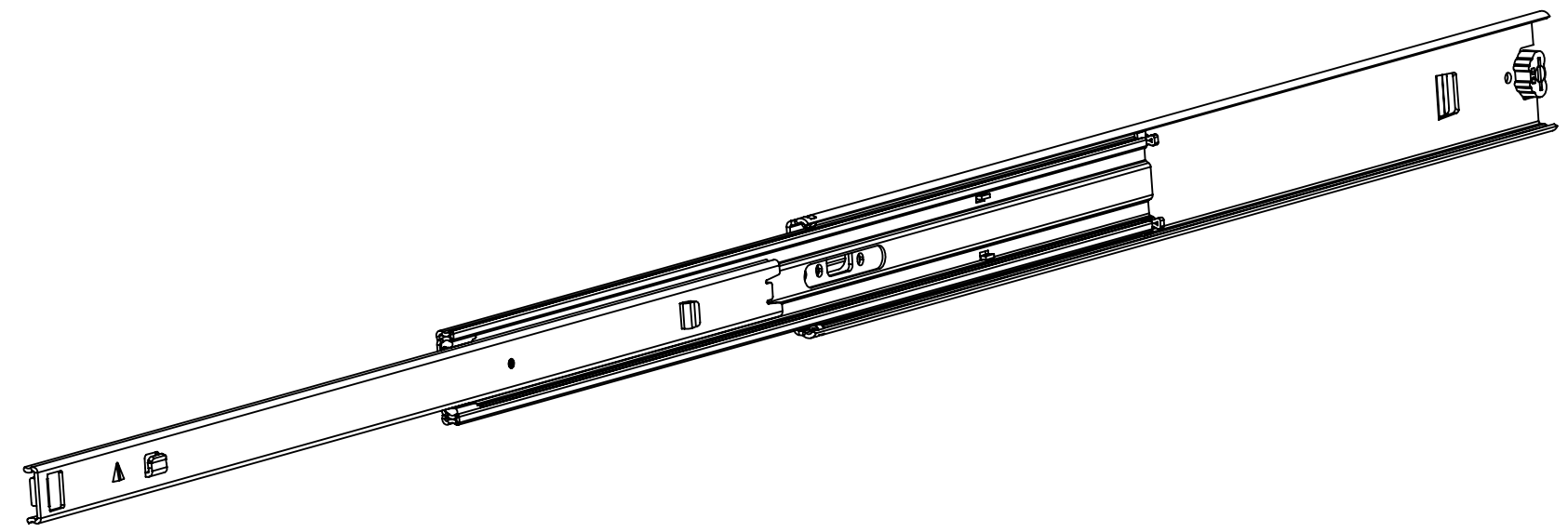
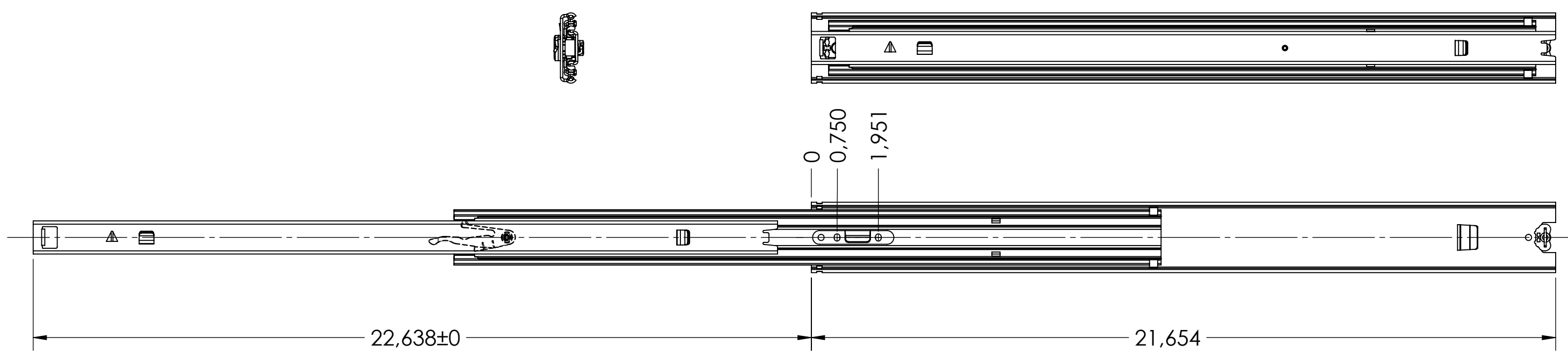


5210.550-GA.T103

X

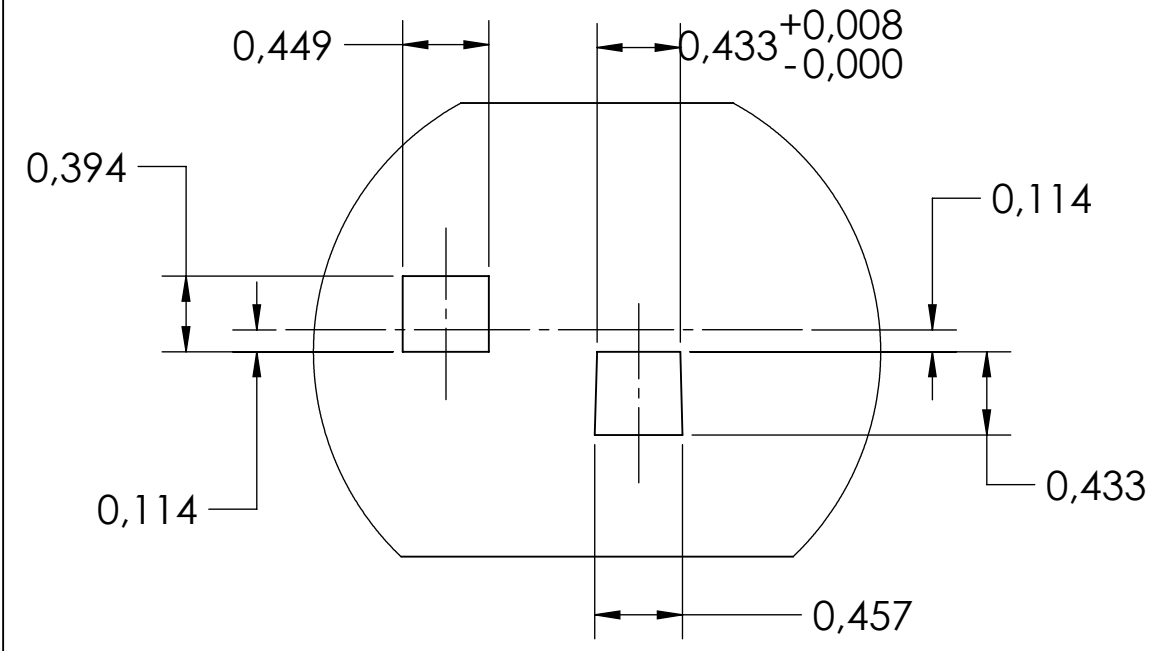
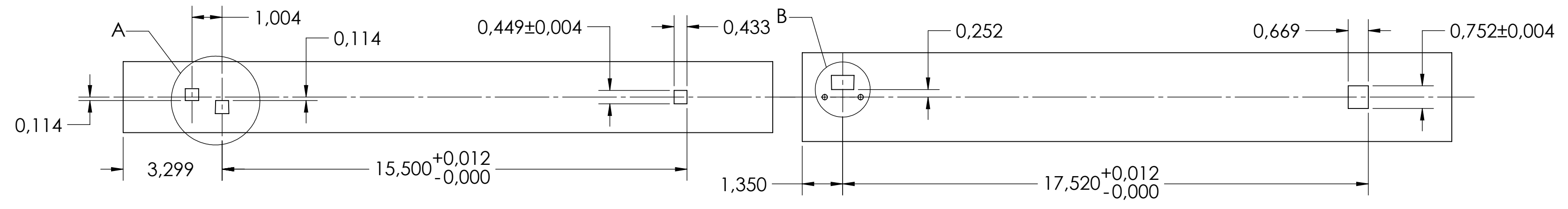


SCALE 1:1

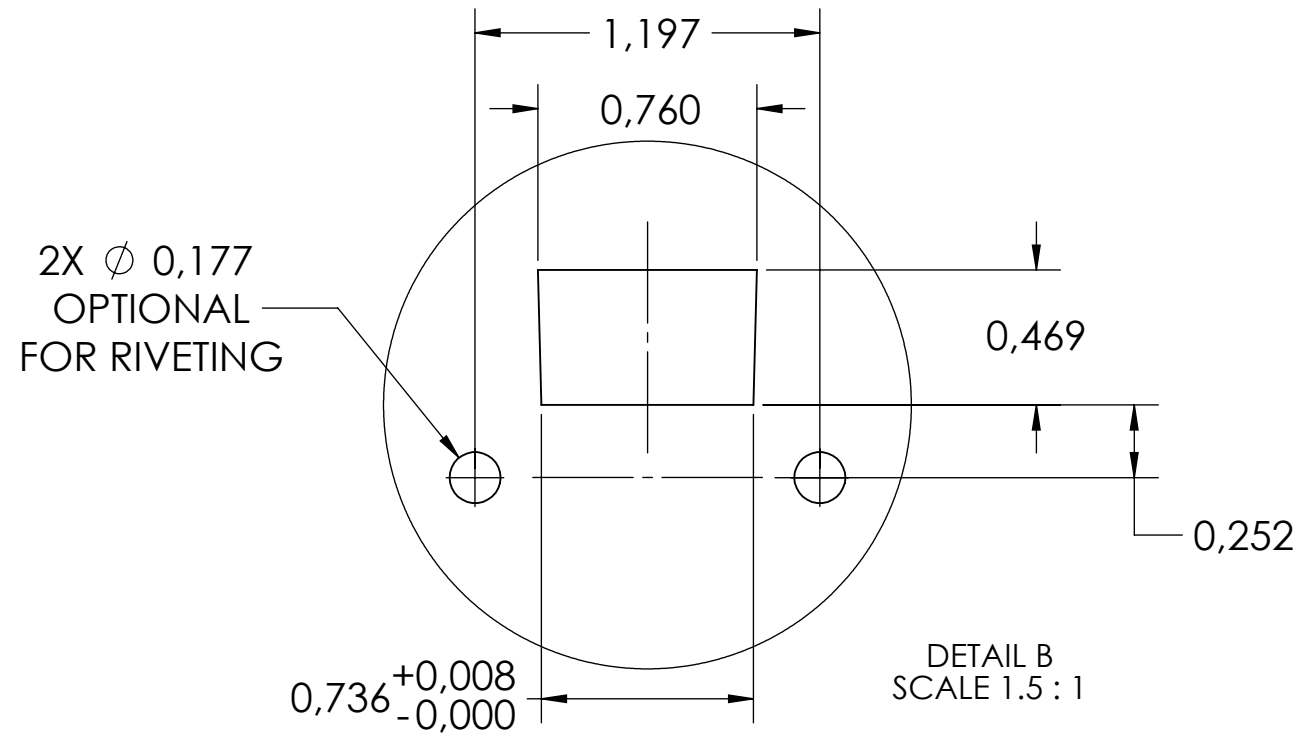


DRAWER MOUNTING CUTOUTS

CABINET MOUNTING CUTOUTS



DETAIL A
SCALE 1:1



DETAIL B
SCALE 1.5:1

general tolerances		DIN ISO 128-30 missing dimensions see 3D = theor. intersection	
ISO 2768-m			
This drawing remains our property and may not be multiplied neither be disclosed to third parties (§§1,3 and 5 from the copyright Act (UrhG))			
covered according to DIN ISO 16016		scale:	surface:
		1:3	
		date	name
		drawn 08-03-2019	HB
		proven 00-00-0000	00
		Fulterer	
		material, semi finished parts: STEEL (technical requirements Fulterer)	
		description: SIDE MOUNT OVER EXTENSION SMT (1.5) DRAWER SLIDE WITH DRAWER DISCONNECT	
		drawing number: 5210.550-GA.T103	
		replaces version date:	
(k)			
(l)			
(i)			
(h)			
(g)			
(f)			
(e)			
(d)			
(c)			
(b)			
(a)	0	00-00-0000	0
ind.	changes	date	na.