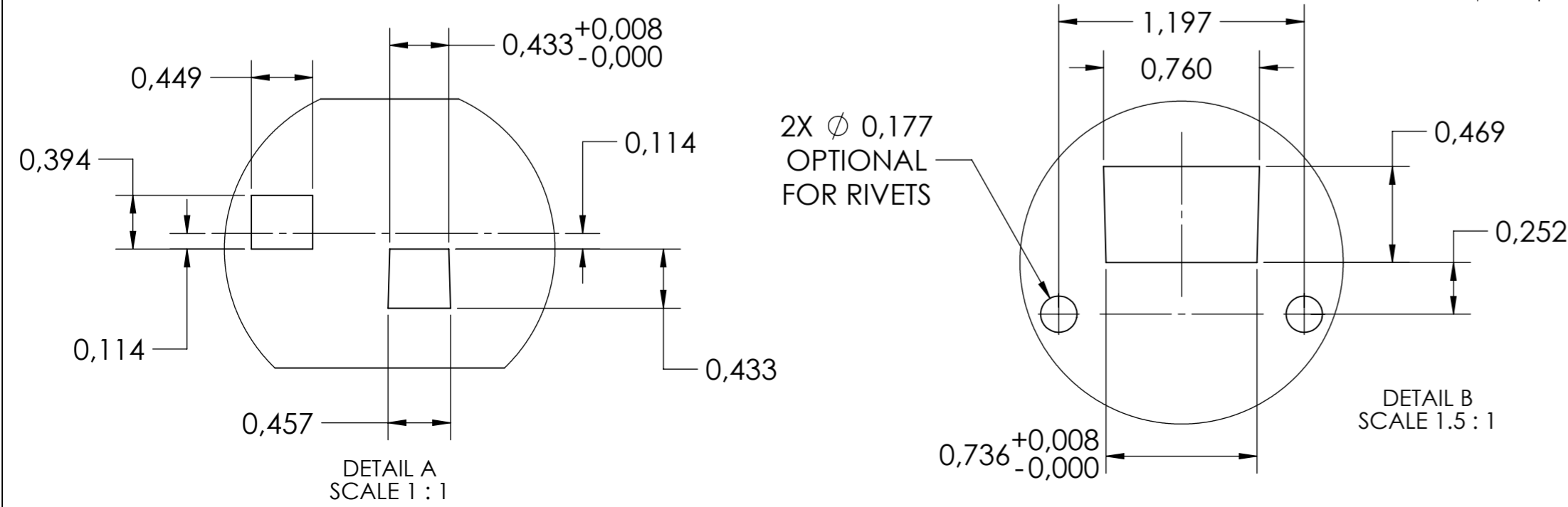
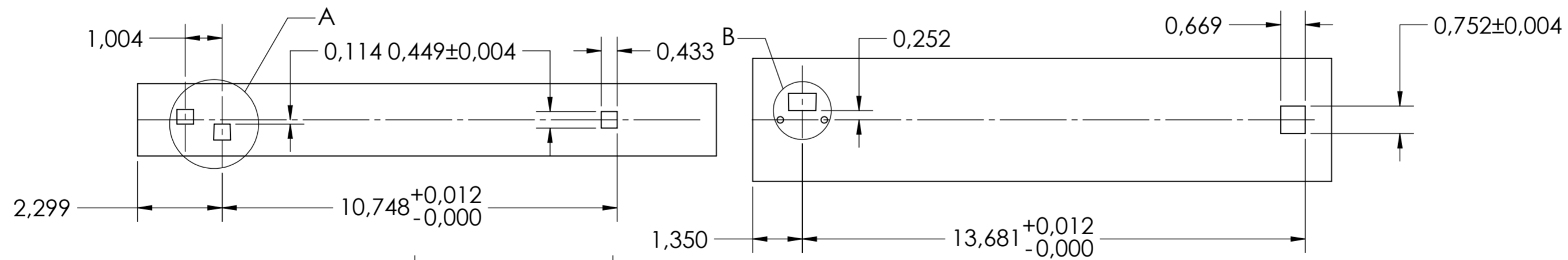
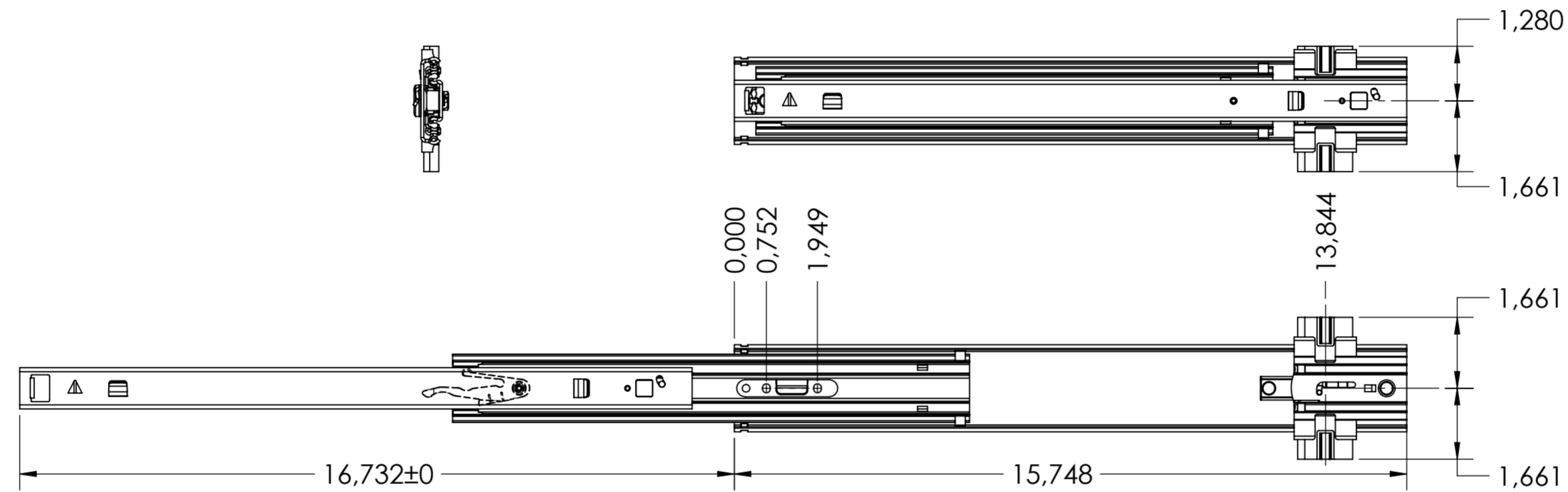
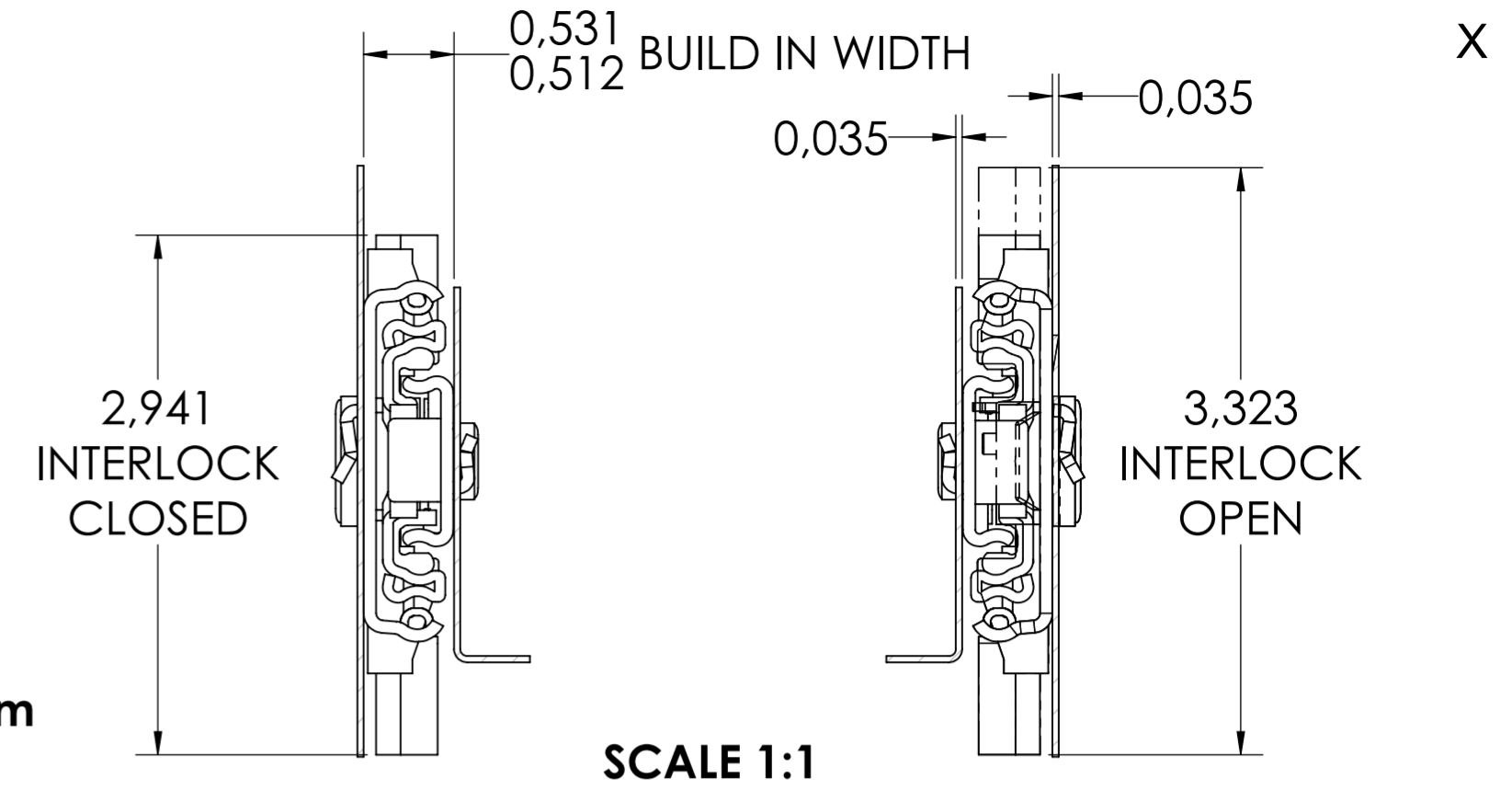


ROD LENGTH $L^{+0.5} = A-44$
 ϕ 5mm ROD
FULTERER PART NUMBER 400246

RECOMMENDED MIN. DISTANCE "A" = 90mm



general tolerances				DIN ISO 128-30 missing dimensions see 3D = theor. intersection	
ISO 2768-m					
This drawing remains our property and may not be multiplied neither be disclosed to third parties (§§1,3 and 5 from the copyright Act (UrhG)) covered according to DIN ISO 16016					
scale: 1:3		surface:		material, semi finished parts: STEEL (technical requirements Fulterer)	
drawn 30-07-2019		date 00-00-0000		name HB	
proven 00-00-0000		date 00		description: SIDE MOUNT OVER EXTENSION SMT (0.9) INTERLOCKING SLIDE WITH DRAWER DISCONNECT	
				drawing number: 5219.400-GA.T119	
Fulterer AG & Co KG A-6890 Lustenau / Austria				replaces version date:	
Fulterer AG CH-9430 St. Margrethen					
ind.	changes	date	na.		