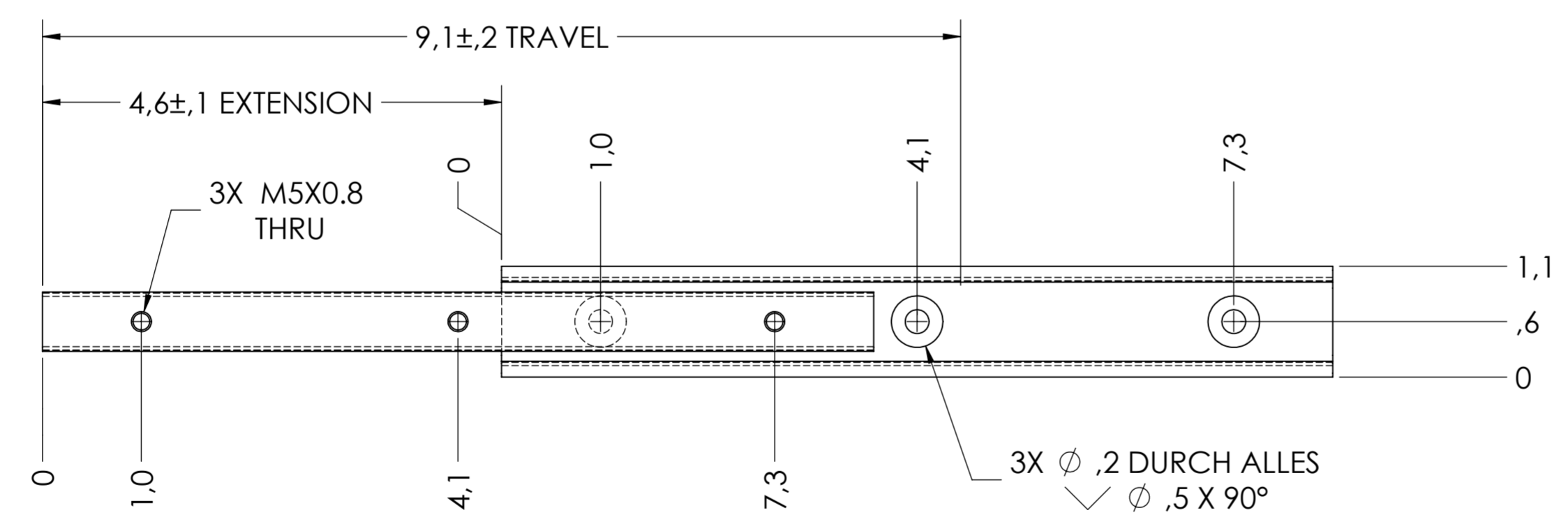
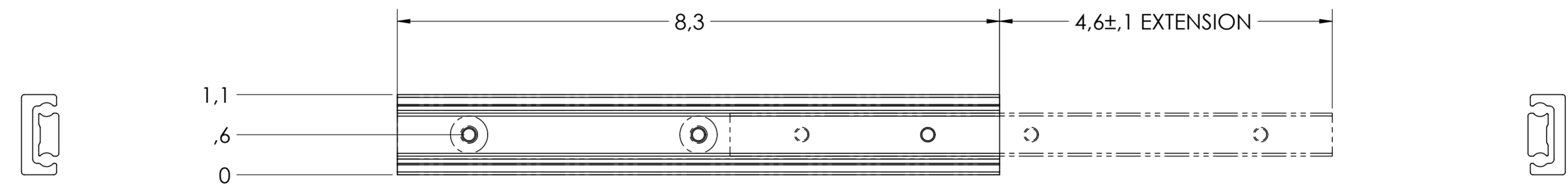


SCALE 1:1



RECOMMENDED HARDWARE:  
 CABINET- M5 FLAT HEAD SCREWS  
 DRAWER- M5 x .8 SCREWS

general tolerances		DIN ISO 128-30 missing dimensions see 3D = theor. intersection	
ISO 2768-m			
This drawing remains our property and may not be multiplied neither be disclosed to third parties (§§1,3 and 5 from the copyright Act (UrhG)) covered according to DIN ISO 16016			
(k)	scale:	3:43:4	surface:
(l)	date	23-07-2018	name
(m)	drawn	HB	
(n)	proven	00-00-0000	00
(o)	<b>Fulterer</b>		material, semi finished parts:
(p)			STEEL
(q)	Fulterer AG & Co KG		description: TWO-WAY TRAVEL SIDE MOUNT TWO-WAY TRAVEL SIDE MOUNT SUPER HEAVY DUTY SLIDE
(r)	A-6890 Lustenau / Austria		
(s)	Fulterer AG		drawing number:
(t)	CH-9430 St. Margrethen		<b>5328.210-GA.T091</b>
(u)	changes	date	na.
(v)	ind.	00-00-0000	0
(w)			
(x)			
(y)			
(z)			
(aa)			
(ab)			
(ac)			
(ad)			
(ae)			
(af)			
(ag)			
(ah)			
(ai)			
(aj)			
(ak)			
(al)			
(am)			
(an)			
(ao)			
(ap)			
(aq)			
(ar)			
(as)			
(at)			
(au)			
(av)			
(aw)			
(ax)			
(ay)			
(az)			
(ba)			
(bb)			
(bc)			
(bd)			
(be)			
(bf)			
(bg)			
(bh)			
(bi)			
(bj)			
(bk)			
(bl)			
(bm)			
(bn)			
(bo)			
(bp)			
(bq)			
(br)			
(bs)			
(bt)			
(bu)			
(bv)			
(bw)			
(bx)			
(by)			
(bz)			
(ca)			
(cb)			
(cc)			
(cd)			
(ce)			
(cf)			
(cg)			
(ch)			
(ci)			
(cj)			
(ck)			
(cl)			
(cm)			
(cn)			
(co)			
(cp)			
(cq)			
(cr)			
(cs)			
(ct)			
(cu)			
(cv)			
(cw)			
(cx)			
(cy)			
(cz)			
(da)			
(db)			
(dc)			
(dd)			
(de)			
(df)			
(dg)			
(dh)			
(di)			
(dj)			
(dk)			
(dl)			
(dm)			
(dn)			
(do)			
(dp)			
(dq)			
(dr)			
(ds)			
(dt)			
(du)			
(dv)			
(dw)			
(dx)			
(dy)			
(dz)			
(ea)			
(eb)			
(ec)			
(ed)			
(ee)			
(ef)			
(eg)			
(eh)			
(ei)			
(ej)			
(ek)			
(el)			
(em)			
(en)			
(eo)			
(ep)			
(eq)			
(er)			
(es)			
(et)			
(eu)			
(ev)			
(ew)			
(ex)			
(ey)			
(ez)			
(fa)			
(fb)			
(fc)			
(fd)			
(fe)			
(ff)			
(fg)			
(fh)			
(fi)			
(fj)			
(fk)			
(fl)			
(fm)			
(fn)			
(fo)			
(fp)			
(fq)			
(fr)			
(fs)			
(ft)			
(fu)			
(fv)			
(fw)			
(fx)			
(fy)			
(fz)			
(ga)			
(gb)			
(gc)			
(gd)			
(ge)			
(gf)			
(gg)			
(gh)			
(gi)			
(gj)			
(gk)			
(gl)			
(gm)			
(gn)			
(go)			
(gp)			
(gq)			
(gr)			
(gs)			
(gt)			
(gu)			
(gv)			
(gw)			
(gx)			
(gy)			
(gz)			
(ha)			
(hb)			
(hc)			
(hd)			
(he)			
(hf)			
(hg)			
(hh)			
(hi)			
(hj)			
(hk)			
(hl)			
(hm)			
(hn)			
(ho)			
(hp)			
(hq)			
(hr)			
(hs)			
(ht)			
(hu)			
(hv)			
(hw)			
(hx)			
(hy)			
(hz)			
(ia)			
(ib)			
(ic)			
(id)			
(ie)			
(if)			
(ig)			
(ih)			
(ii)			
(ij)			
(ik)			
(il)			
(im)			
(in)			
(io)			
(ip)			
(iq)			
(ir)			
(is)			
(it)			
(iu)			
(iv)			
(iw)			
(ix)			
(iy)			
(iz)			
(ja)			
(jb)			
(jc)			
(jd)			
(je)			
(jf)			
(jg)			
(jh)			
(ji)			
(jj)			
(jk)			
(jl)			
(jm)			
(jn)			
(jo)			
(jp)			
(jq)			
(jr)			
(js)			
(jt)			
(ju)			
(jv)			
(jw)			
(jx)			
(jy)			
(jz)			
(ka)			
(kb)			
(kc)			
(kd)			
(ke)			
(kf)			
(kg)			
(kh)			
(ki)			
(kj)			
(kk)			
(kl)			
(km)			
(kn)			
(ko)			
(kp)			
(kq)			
(kr)			
(ks)			
(kt)			
(ku)			
(kv)			
(kw)			
(kx)			
(ky)			
(kz)			
(la)			
(lb)			
(lc)			
(ld)			
(le)			
(lf)			
(lg)			
(lh)			
(li)			
(lj)			
(lk)			
(ll)			
(lm)			
(ln)			
(lo)			
(lp)			
(lq)			
(lr)			
(ls)			
(lt)			
(lu)			
(lv)			
(lw)			
(lx)			
(ly)			
(lz)			
(ma)			
(mb)			
(mc)			
(md)			
(me)			
(mf)			
(mg)			
(mh)			
(mi)			
(mj)			
(mk)			
(ml)			
(mm)			
(mn)			
(mo)			
(mp)			
(mq)			
(mr)			
(ms)			
(mt)			
(mu)			
(mv)			
(mw)			
(mx)			
(my)			
(mz)			
(na)			
(nb)			
(nc)			
(nd)			
(ne)			
(nf)			
(ng)			
(nh)			
(ni)			
(nj)			
(nk)			
(nl)			
(nm)			
(nn)			
(no)			
(np)			
(nq)			
(nr)			
(ns)			
(nt)			
(nu)			
(nv)			
(nw)			
(nx)			
(ny)			
(nz)			
(oa)			
(ob)			
(oc)			
(od)			
(oe)			
(of)			
(og)			
(oh)			
(oi)			
(oj)			
(ok)			
(ol)			
(om)			
(on)			
(oo)			
(op)			
(oq)	</		