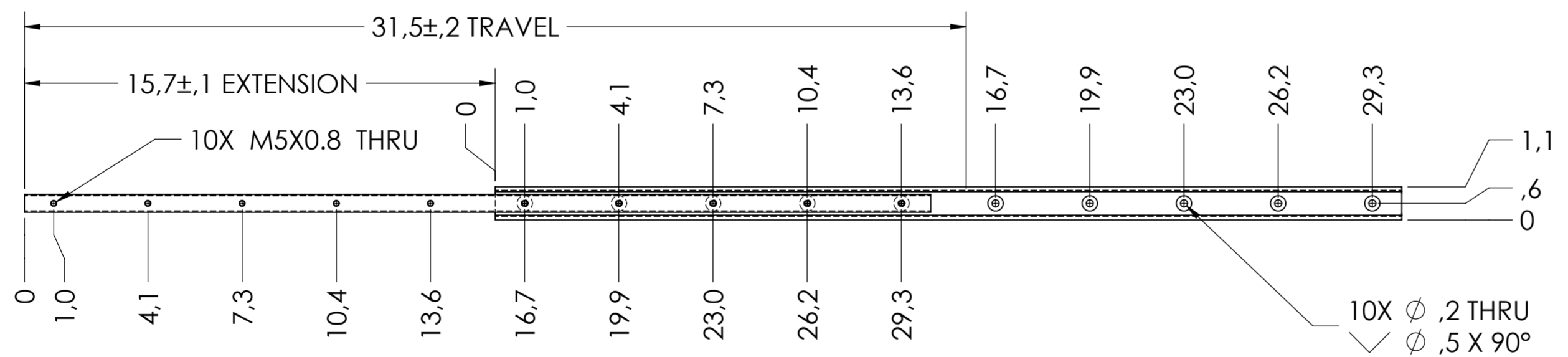
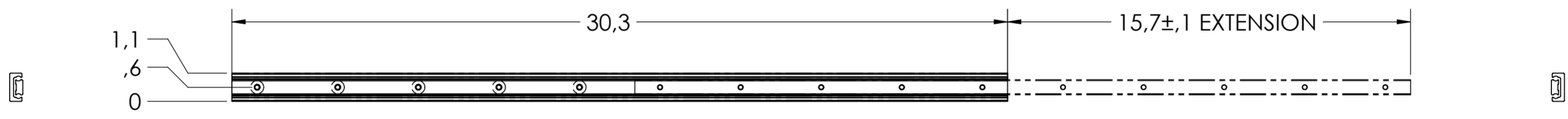


SCALE 1:1



RECOMMENDED HARDWARE:
 CABINET- M5 FLAT HEAD SCREWS
 DRAWER- M5 x .8 SCREWS

general tolerances		DIN ISO 128-30	
ISO 2768-m		missing dimensions see 3D	
		= theor. intersection	
This drawing remains our property and may not be multiplied neither be disclosed to third parties (§§1,3 and 5 from the copyright Act (UrhG))			
covered according to DIN ISO 16016		scale:	surface:
		1:41:4	
		date	name
		drawn 23-07-2018	HB
		proven 00-00-0000	00
		Fulterer	
		Fulterer AG & Co KG	
		A-6890 Lustenau / Austria	
		Fulterer AG	
		CH-9430 St. Margrethen	
		drawing number:	
		5328.770-GA.T091	
		replaces version date:	
ind.	changes	date	na.
0		00-00-0000	0