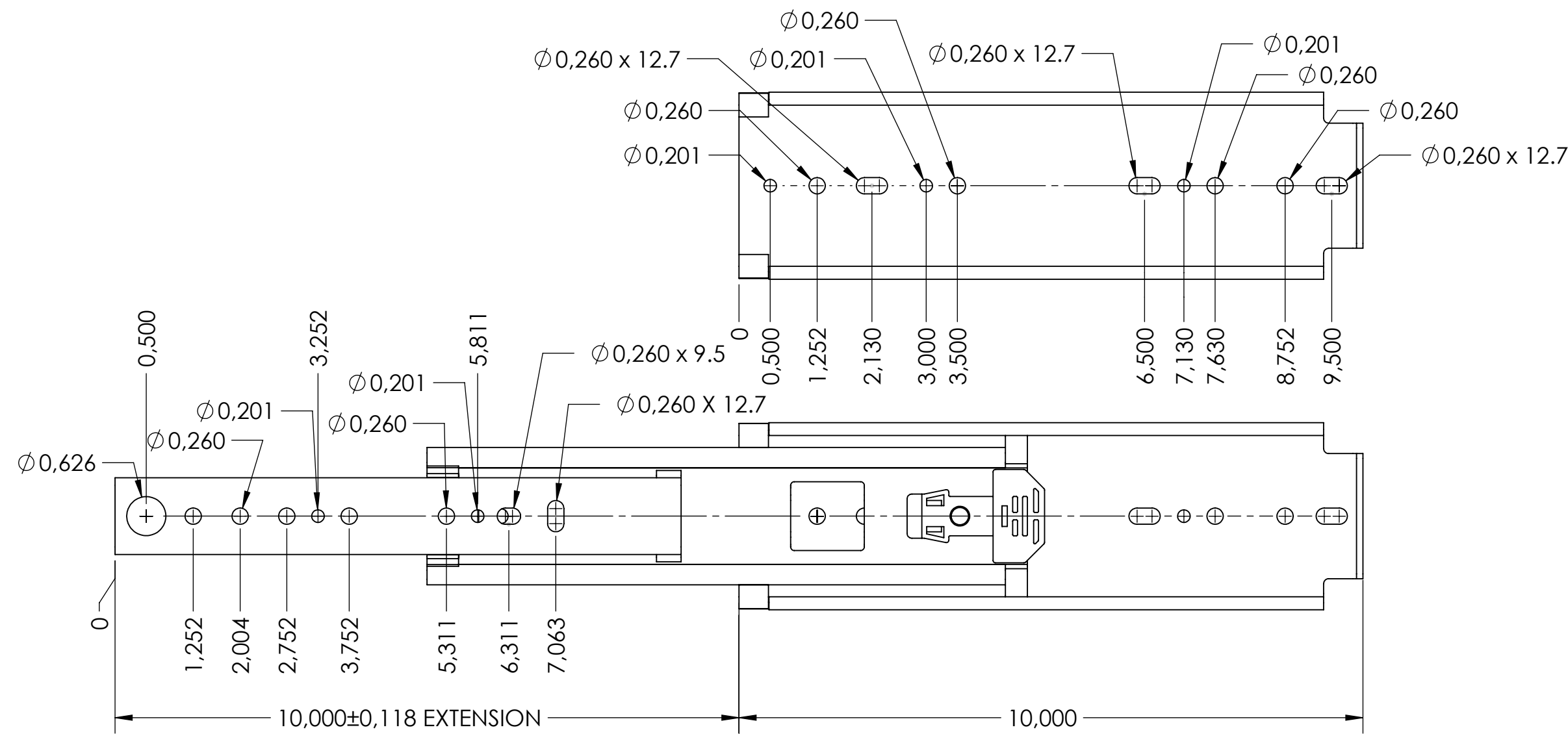


**CABINET MOUNTING HOLES**



RECOMMENDED HARDWARE:  
 CABINET- M6 OR 1/4 BUTTON HEAD SCREWS  
 DRAWER- M6 OR 1/4 BUTTON HEAD SCREWS

general tolerances		DIN ISO 128-30 missing dimensions see 3D = theor. intersection	
ISO 2768-m			
This drawing remains our property and may not be multiplied neither be disclosed to third parties (§§1,3 and 5 from the copyright Act (UrhG))			
covered according to DIN ISO 16016		scale:	surface:
(k)		1:2	
(l)		date	name
(m)		drawn 27-07-2018	HB
(n)		proven 00-00-0000	00
(o)		<b>Fulterer</b>	
(p)			
(q)		material, semi finished parts: STEEL (technical requirements Fulterer)	
(r)		description: FULL EXTENSION SIDE MOUNT HEAVY DUTY DRAWER SLIDE NON-DISCONNECT	
(s)		drawing number: 5400.10-GA.T018	
(t)		replaces version date:	
(u)	UPDATE TITLE BLOCK	19-03-2019	HB
(v)	changes	date	na.
(w)		Fulterer AG & Co KG A-6890 Lustenau / Austria Fulterer AG CH-9430 St. Margrethen	