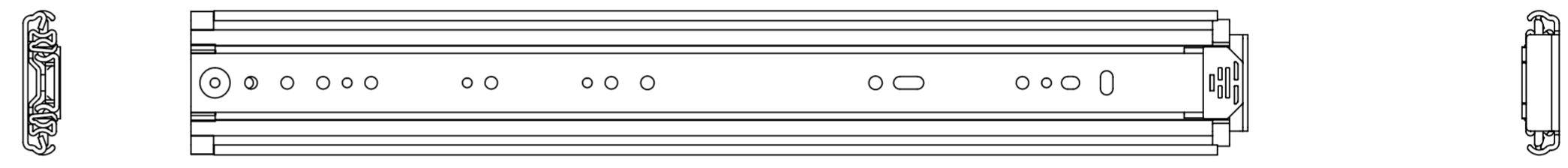
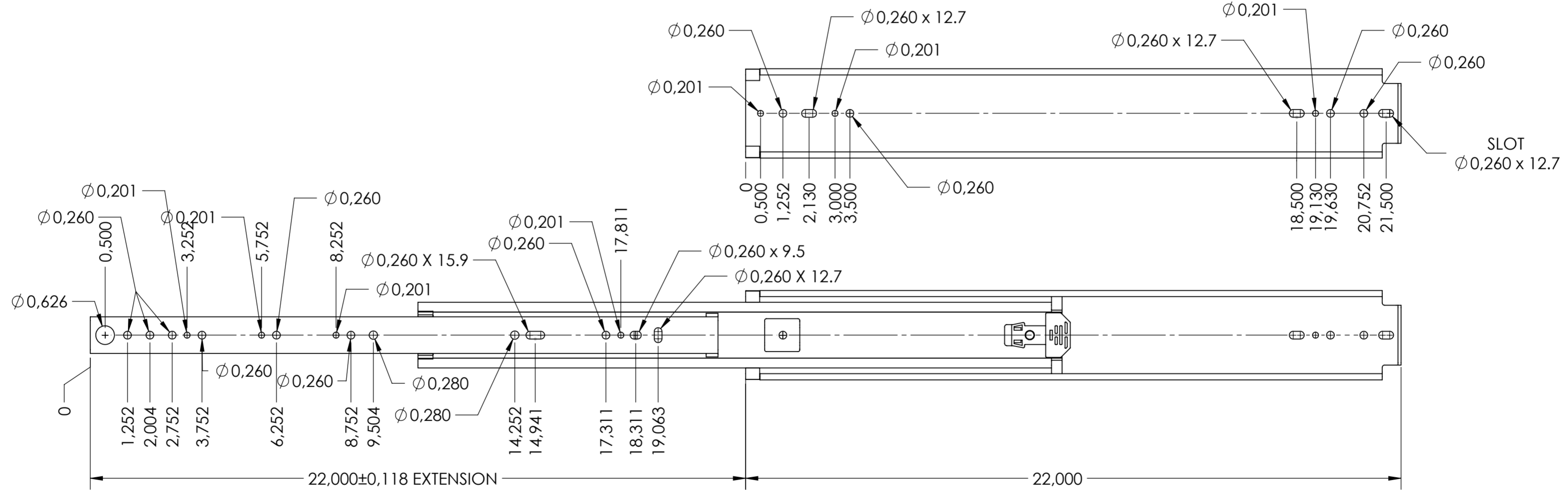


SCALE 1:1



**CABINET MOUNTING HOLES**



RECOMMENDED HARDWARE:  
 CABINET- M6 OR 1/4 BUTTON HEAD SCREWS  
 DRAWER- M6 OR 1/4 BUTTON HEAD SCREWS

general tolerances		DIN ISO 128-30 missing dimensions see 3D = theor. intersection	
ISO 2768-m			
This drawing remains our property and may not be multiplied neither be disclosed to third parties (§§1,3 and 5 from the copyright Act (UrhG)) covered according to DIN ISO 16016			
(k)	scale:	1:3	surface:
(l)	date	27-07-2018	name
(m)	drawn	HB	
(n)	proven	00-00-0000	00
(o)	<b>Fulterer</b>		material, semi finished parts:
(p)			STEEL
(q)	<b>Fulterer AG &amp; Co KG</b> A-6890 Lustenau / Austria		(technical requirements Fulterer)
(r)			description:
(s)	<b>Fulterer AG</b> CH-9430 St. Margrethen		FULL EXTENSION SIDE MOUNT HEAVY DUTY DRAWER SLIDE NON-DISCONNECT
(t)			drawing number:
(u)	UPDATE TITLE BLOCK		19-03-2019
(v)	changes		date
(w)			na.
(x)			
(y)			
(z)			
(aa)			
(ab)			
(ac)			
(ad)			
(ae)			
(af)			
(ag)			
(ah)			
(ai)			
(aj)			
(ak)			
(al)			
(am)			
(an)			
(ao)			
(ap)			
(aq)			
(ar)			
(as)			
(at)			
(au)			
(av)			
(aw)			
(ax)			
(ay)			
(az)			
(ba)			
(bb)			
(bc)			
(bd)			
(be)			
(bf)			
(bg)			
(bh)			
(bi)			
(bj)			
(bk)			
(bl)			
(bm)			
(bn)			
(bo)			
(bp)			
(bq)			
(br)			
(bs)			
(bt)			
(bu)			
(bv)			
(bw)			
(bx)			
(by)			
(bz)			
(ca)			
(cb)			
(cc)			
(cd)			
(ce)			
(cf)			
(cg)			
(ch)			
(ci)			
(cj)			
(ck)			
(cl)			
(cm)			
(cn)			
(co)			
(cp)			
(cq)			
(cr)			
(cs)			
(ct)			
(cu)			
(cv)			
(cw)			
(cx)			
(cy)			
(cz)			
(da)			
(db)			
(dc)			
(dd)			
(de)			
(df)			
(dg)			
(dh)			
(di)			
(dj)			
(dk)			
(dl)			
(dm)			
(dn)			
(do)			
(dp)			
(dq)			
(dr)			
(ds)			
(dt)			
(du)			
(dv)			
(dw)			
(dx)			
(dy)			
(dz)			
(ea)			
(eb)			
(ec)			
(ed)			
(ee)			
(ef)			
(eg)			
(eh)			
(ei)			
(ej)			
(ek)			
(el)			
(em)			
(en)			
(eo)			
(ep)			
(eq)			
(er)			
(es)			
(et)			
(eu)			
(ev)			
(ew)			
(ex)			
(ey)			
(ez)			
(fa)			
(fb)			
(fc)			
(fd)			
(fe)			
(ff)			
(fg)			
(fh)			
(fi)			
(fj)			
(fk)			
(fl)			
(fm)			
(fn)			
(fo)			
(fp)			
(fq)			
(fr)			
(fs)			
(ft)			
(fu)			
(fv)			
(fw)			
(fx)			
(fy)			
(fz)			
(ga)			
(gb)			
(gc)			
(gd)			
(ge)			
(gf)			
(gg)			
(gh)			
(gi)			
(gj)			
(gk)			
(gl)			
(gm)			
(gn)			
(go)			
(gp)			
(gq)			
(gr)			
(gs)			
(gt)			
(gu)			
(gv)			
(gw)			
(gx)			
(gy)			
(gz)			
(ha)			
(hb)			
(hc)			
(hd)			
(he)			
(hf)			
(hg)			
(hh)			
(hi)			
(hj)			
(hk)			
(hl)			
(hm)			
(hn)			
(ho)			
(hp)			
(hq)			
(hr)			
(hs)			
(ht)			
(hu)			
(hv)			
(hw)			
(hx)			
(hy)			
(hz)			
(ia)			
(ib)			
(ic)			
(id)			
(ie)			
(if)			
(ig)			
(ih)			
(ii)			
(ij)			
(ik)			
(il)			
(im)			
(in)			
(io)			
(ip)			
(iq)			
(ir)			
(is)			
(it)			
(iu)			
(iv)			
(iw)			
(ix)			
(iy)			
(iz)			
(ja)			
(jb)			
(jc)			
(jd)			
(je)			
(jf)			
(jg)			
(jh)			
(ji)			
(jj)			
(jk)			
(jl)			
(jm)			
(jn)			
(jo)			
(jp)			
(jq)			
(jr)			
(js)			
(jt)			
(ju)			
(jv)			
(jw)			
(jx)			
(jy)			
(jz)			
(ka)			
(kb)			
(kc)			
(kd)			
(ke)			
(kf)			
(kg)			
(kh)			
(ki)			
(kj)			
(kk)			
(kl)			
(km)			
(kn)			
(ko)			
(kp)			
(kq)			
(kr)			
(ks)			
(kt)			
(ku)			
(kv)			
(kw)			
(kx)			
(ky)			
(kz)			
(la)			
(lb)			
(lc)			
(ld)			
(le)			
(lf)			
(lg)			
(lh)			
(li)			
(lj)			
(lk)			
(ll)			
(lm)			
(ln)			
(lo)			
(lp)			
(lq)			
(lr)			
(ls)			
(lt)			
(lu)			
(lv)			
(lw)			
(lx)			
(ly)			
(lz)			
(ma)			
(mb)			
(mc)			
(md)			
(me)			
(mf)			
(mg)			
(mh)			
(mi)			
(mj)			
(mk)			
(ml)			
(mm)			
(mn)			
(mo)			
(mp)			
(mq)			
(mr)			
(ms)			
(mt)			
(mu)			
(mv)			
(mw)			
(mx)			
(my)			
(mz)			
(na)			
(nb)			
(nc)			
(nd)			
(ne)			
(nf)			
(ng)			
(nh)			
(ni)			
(nj)			
(nk)			
(nl)			
(nm)			
(nn)			
(no)			
(np)			
(nq)			
(nr)			
(ns)			
(nt)			
(nu)			
(nv)			
(nw)			
(nx)			
(ny)			
(nz)			
(oa)			
(ob)			
(oc)			
(od)			
(oe)			
(of)			
(og)			
(oh)			
(oi)			
(oj)			
(ok)			
(ol)			
(om)			
(on)			
(oo)			
(op)			
(oq)			
(or)			
(os)			
(ot)			
(ou)			
(ov)			
(ow)			
(ox)			
(oy)			
(oz)			
(pa)			
(pb)			
(pc)			
(pd)			
(pe)			
(pf)			
(pg)			
(ph)			
(pi)			
(pj)			
(pk)			
(pl)			
(pm)			
(pn)			
(po)			
(pp)			
(			