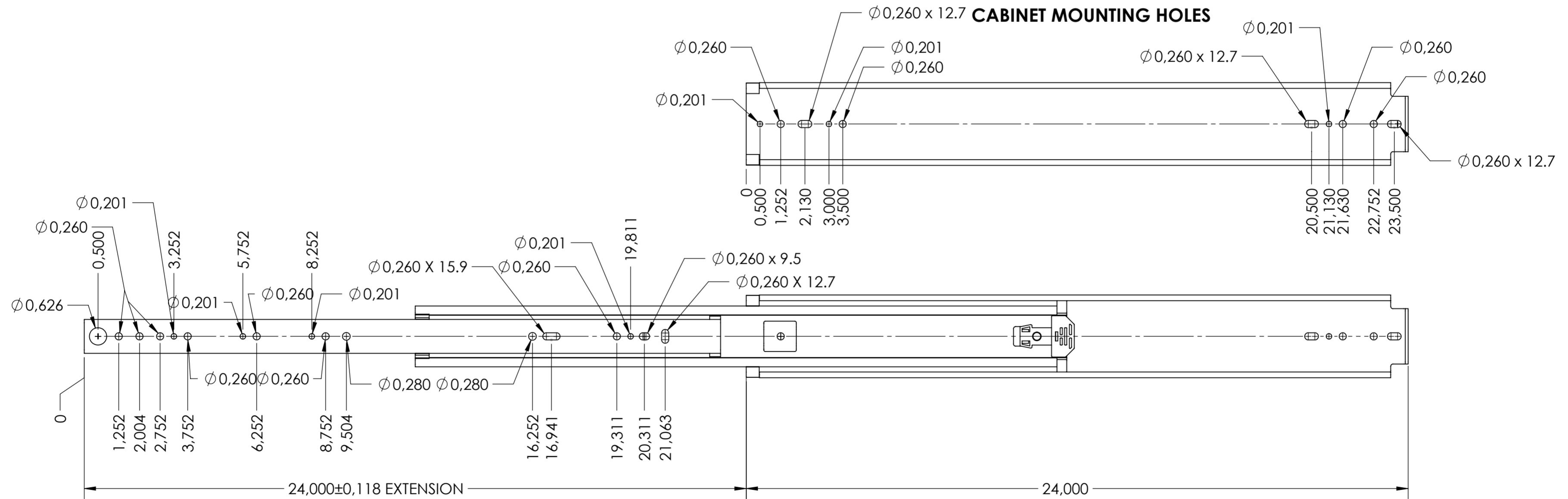
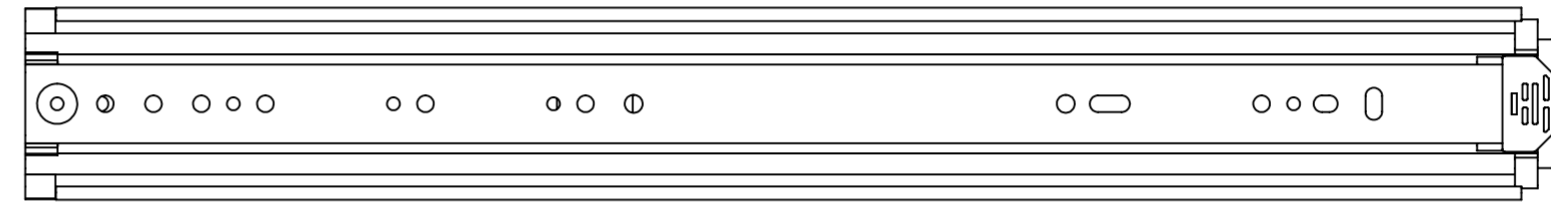
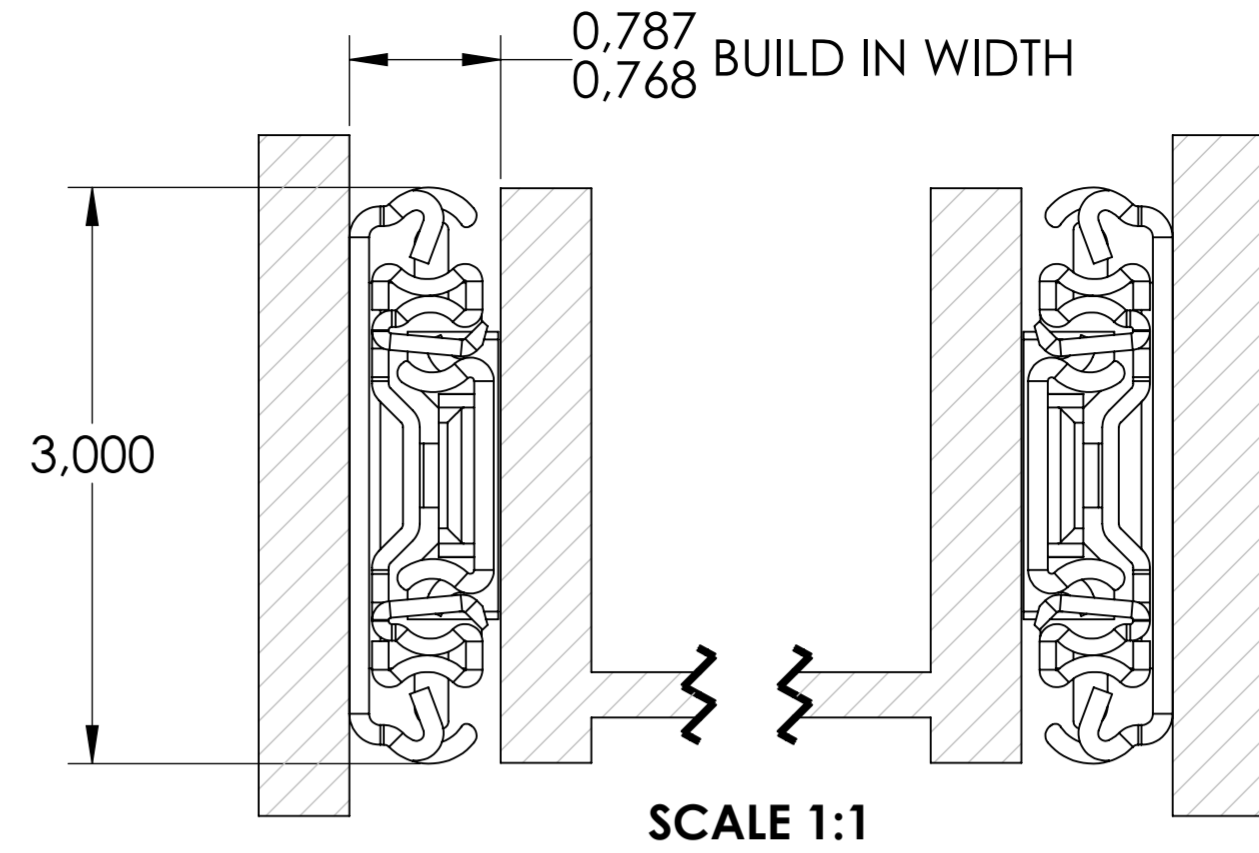
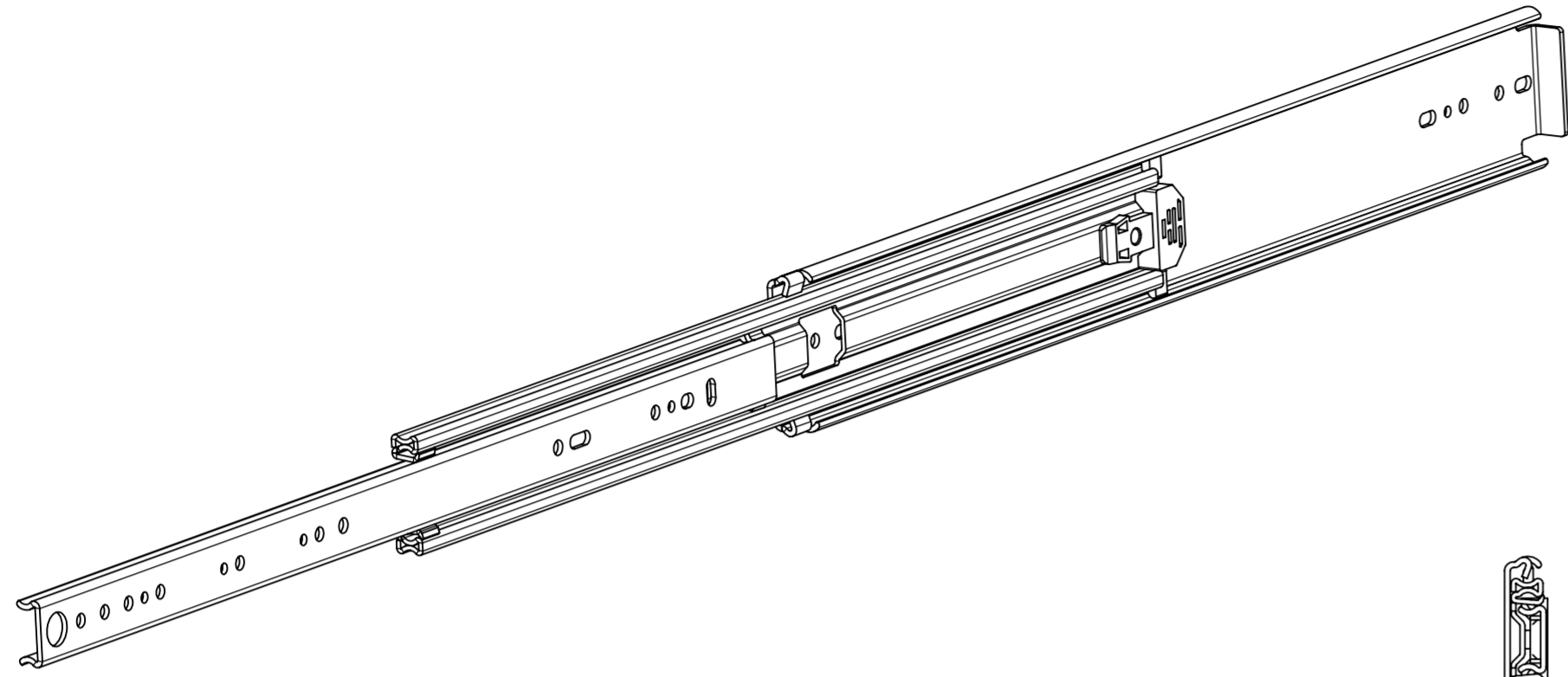


# 5400.24-GA.T018

X



RECOMMENDED HARDWARE:  
 CABINET- M6 OR 1/4 BUTTON HEAD SCREWS  
 DRAWER- M6 OR 1/4 BUTTON HEAD SCREWS

general tolerances		DIN ISO 128-30 missing dimensions see 3D = theor. intersection	
ISO 2768-m			
This drawing remains our property and may not be multiplied neither be disclosed to third parties (§§1,3 and 5 from the copyright Act (UrhG)) covered according to DIN ISO 16016			
(k)		scale:	material, semi finished parts: <b>A2</b>
(l)		1:3	STEEL
(m)		surface:	(technical requirements Fulterer)
(n)		date	description: FULL EXTENSION SIDE MOUNT HEAVY DUTY DRAWER SLIDE NON-DISCONNECT
(o)		name	
(p)		drawn 27-07-2018 00	drawing number: <b>5400.24-GA.T018</b>
(q)		proven 00-00-0000 00	
(r)		<b>Fulterer</b>	
(s)			
(t)		Fulterer AG & Co KG A-6890 Lustenau / Austria	
(u)		Fulterer AG CH-9430 St. Margrethen	
(v)		drawing number: <b>5400.24-GA.T018</b>	
(w)		replaces version date:	
(x)		UPDATE TITLE BLOCK 19-03-2019 HB	
(y)		changes	date na.