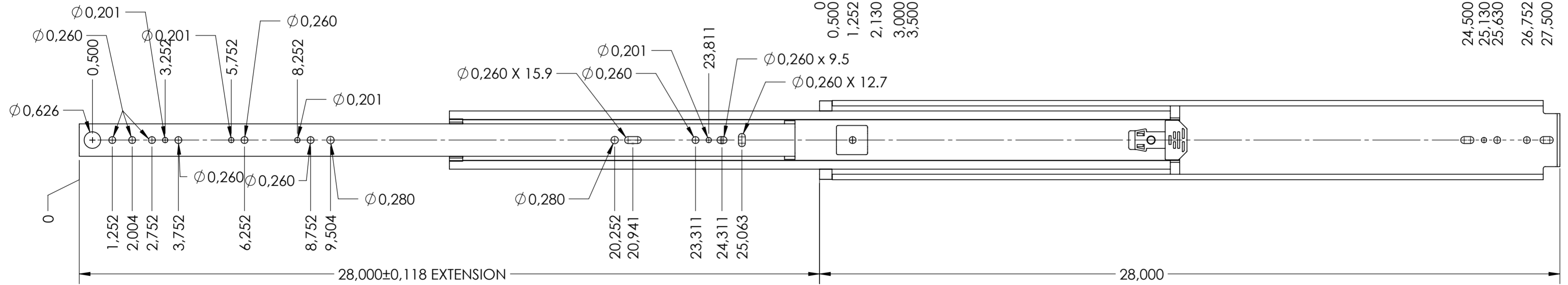
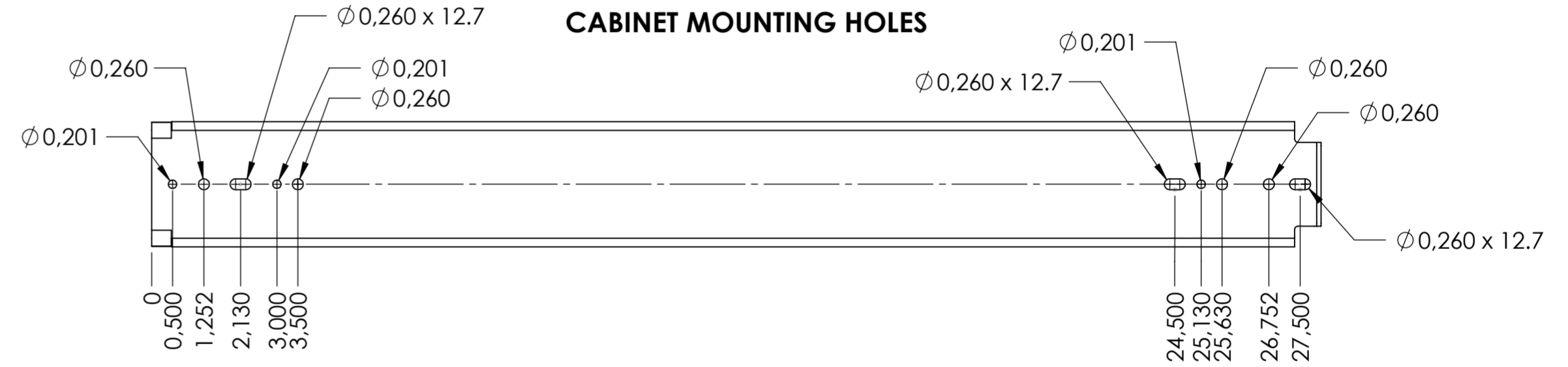


### CABINET MOUNTING HOLES



RECOMMENDED HARDWARE:  
 CABINET- M6 OR 1/4 BUTTON HEAD SCREWS  
 DRAWER- M6 OR 1/4 BUTTON HEAD SCREWS

general tolerances		DIN ISO 128-30 missing dimensions see 3D = theor. intersection	
ISO 2768-m			
This drawing remains our property and may not be multiplied neither be disclosed to third parties (§§1,3 and 5 from the copyright Act (UrhG)) covered according to DIN ISO 16016			
(k)		scale:	material, semi finished parts: A2
(l)		1:3	STEEL
(m)		surface:	(technical requirements Fulterer)
(n)		date	description:
(o)		drawn 27-07-2018	HB
(p)		proven 00-00-0000	00
(q)		FULL EXTENSION SIDE MOUNT HEAVY DUTY DRAWER SLIDE NON-DISCONNECT	
(r)		<b>Fulterer</b>	
(s)		drawing number:	
(t)		<b>5400.28-GA.T018</b>	
(u)		replaces version date:	
(v)		drawing number:	
(w)		A-6890 Lustenau / Austria	
(x)		drawing number:	
(y)		Fulterer AG	
(z)		CH-9430 St. Margrethen	
(aa)	UPDATE TITLE BLOCK	19-03-2019	HB
(ab)	changes	date	na.