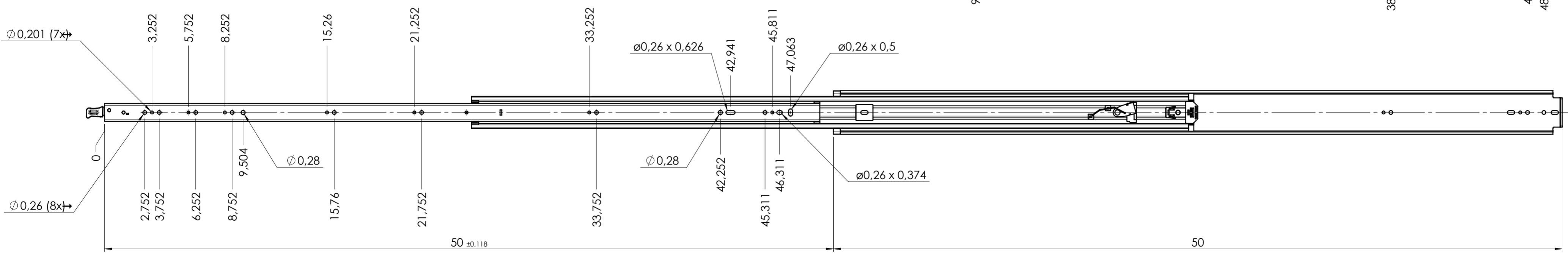
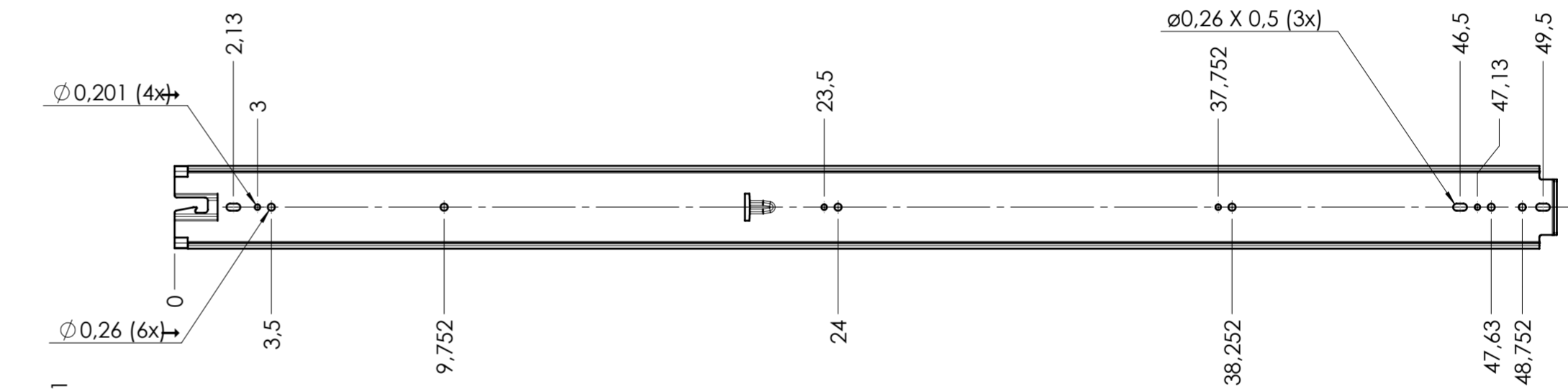
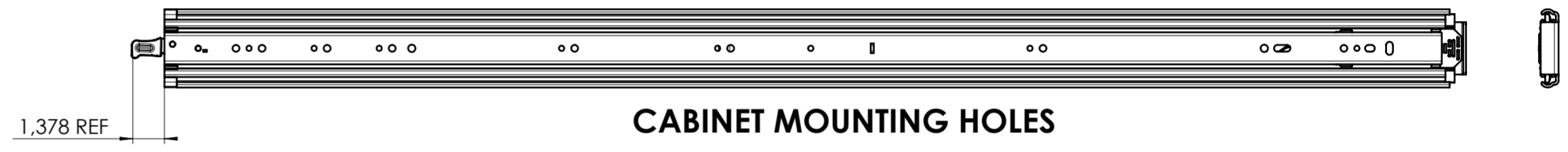
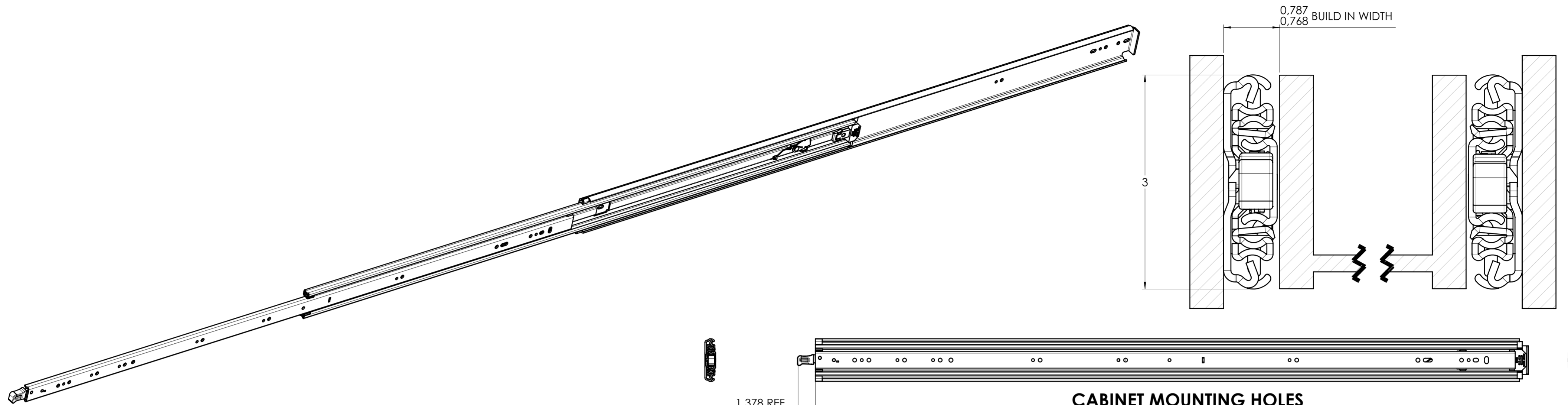


# 5400.50-GA.T054

X



RECOMMENDED HARDWARE:  
 CABINET- M6 OR 1/4 BUTTON HEAD SCREWS  
 DRAWER- M6 OR 1/4 BUTTON HEAD SCREWS

general tolerances		DIN ISO 128-30	
ISO 2768-m		missing dimensions see 3D = theor. intersection	
This drawing remains our property and may not be multiplied neither be disclosed to third parties (§§1,3 and 5 from the copyright Act (UrhG)) covered according to DIN ISO 16016			
scale:	1:5	surface:	material, semi finished parts: STEEL (technical requirements Fulterer)
	date		name
drawn	27-05-2020	MW	
proven	00-00-0000	00	
		drawing number: 5400.50-GA.T054	
		replaces version date:	
ind.	changes	date	na.