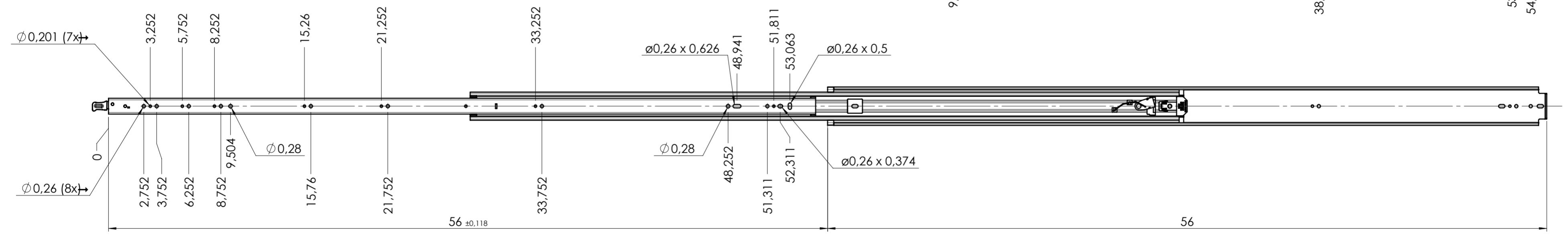
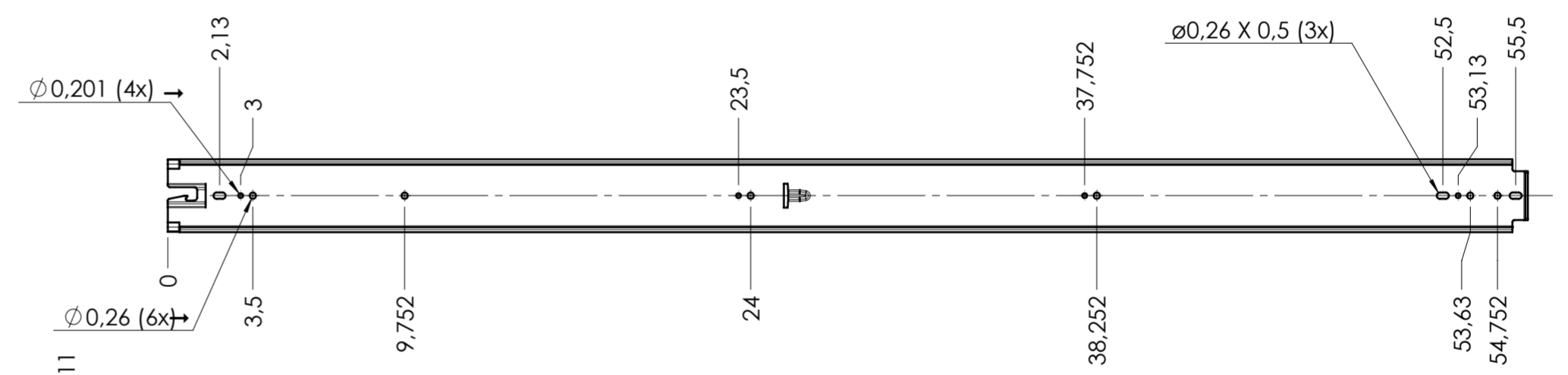


CABINET MOUNTING HOLES



RECOMMENDED HARDWARE:
 CABINET- M6 OR 1/4 BUTTON HEAD SCREWS
 DRAWER- M6 OR 1/4 BUTTON HEAD SCREWS

general tolerances		DIN ISO 128-30	
ISO 2768-m		missing dimensions see 3D = theor. intersection	
This drawing remains our property and may not be multiplied neither be disclosed to third parties (§§1,3 and 5 from the copyright Act (UrhG)) covered according to DIN ISO 16016			
(k) (l) (i) (h) (g) (f) (e) (d) (c) (b) (a)	scale:	1:6	surface:
	date:	27-05-2020	name:
	drawn:	MW	description:
	proven:	00-00-0000	00
			material, semi finished parts: STEEL (technical requirements Fulterer)
Fulterer AG & Co KG A-6890 Lustenau / Austria Fulterer AG CH-9430 St. Margrethen		drawing number: 5400.56-GA.T054 replaces version date:	
ind.	changes	date	na.