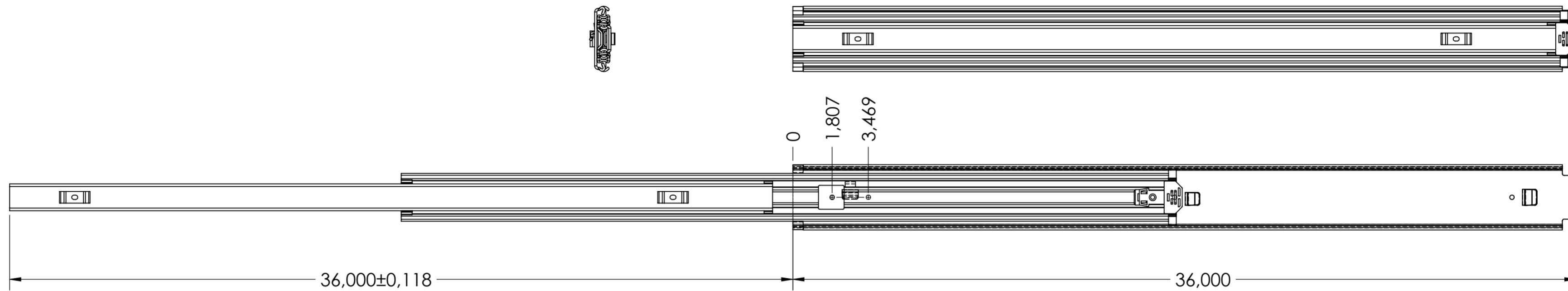
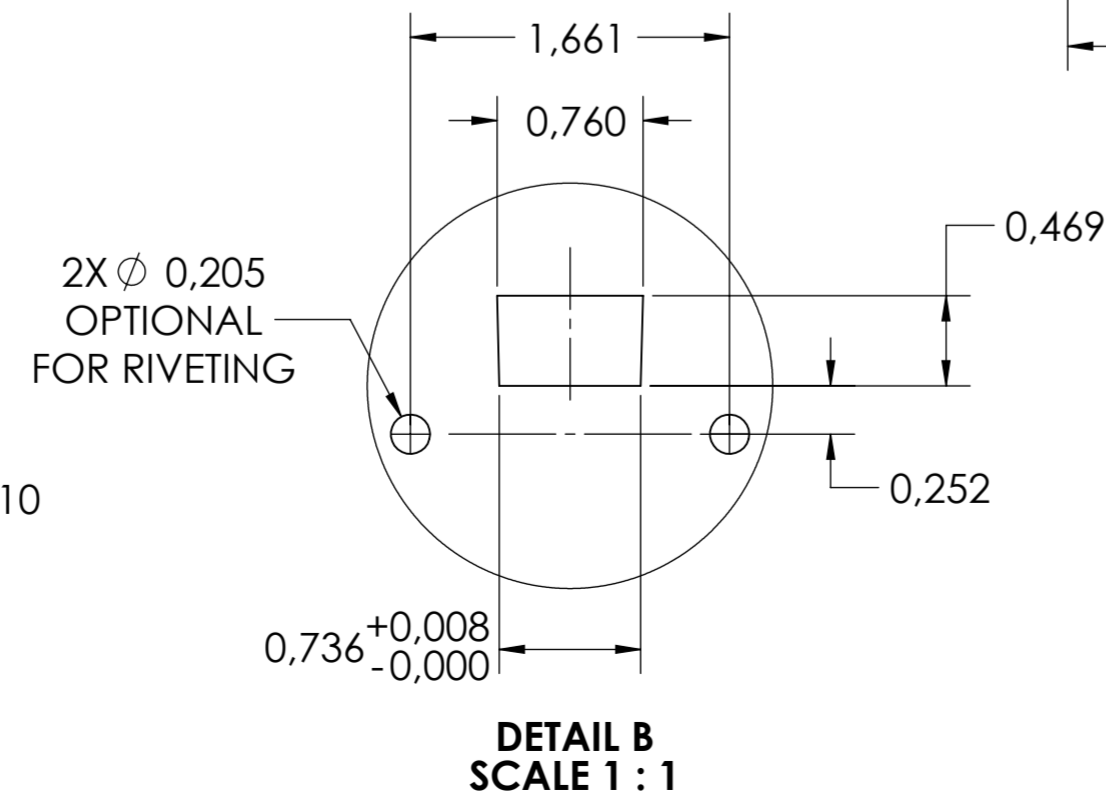
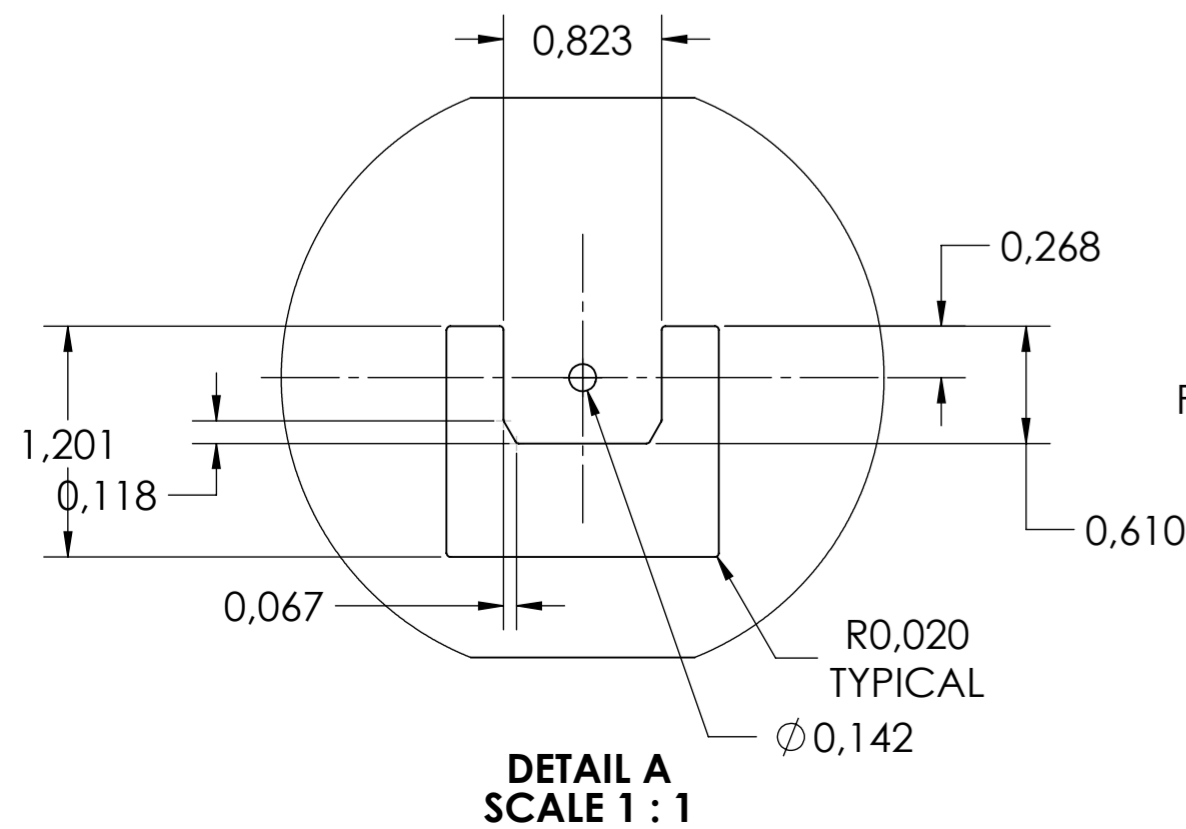
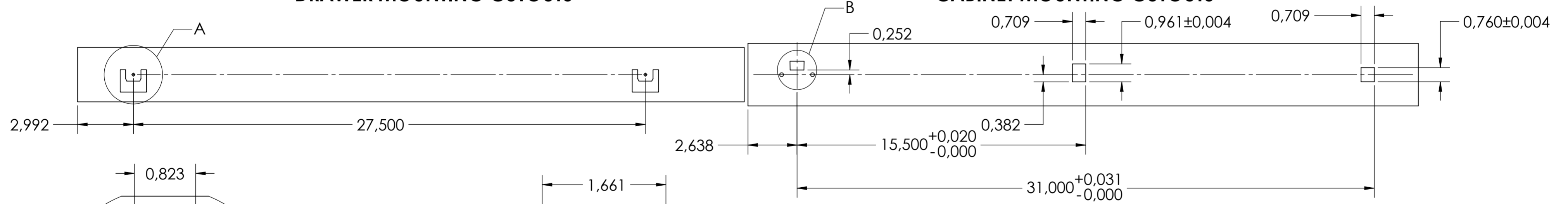


SCALE 1:1



DRAWER MOUNTING CUTOUTS

CABINET MOUNTING CUTOUTS



general tolerances		DIN ISO 128-30 missing dimensions see 3D = theor. intersection	
ISO 2768-m			
This drawing remains our property and may not be multiplied neither be disclosed to third parties (§§1,3 and 5 from the copyright Act (UrhG))			
covered according to DIN ISO 16016		scale: 1:4	surface: A2
(k)		date	name
(l)		drawn 30-07-2019	HB
(m)		proven 00-00-0000	00
(n)		Fullterer	
(o)			
(p)		Fullterer AG & Co KG A-6890 Lustenau / Austria	
(q)		Fullterer AG CH-9430 St. Margrethen	
(r)		drawing number: 5400.36-GA.T114	
(s)		replaces version date:	
(t)		ind. changes	date na.