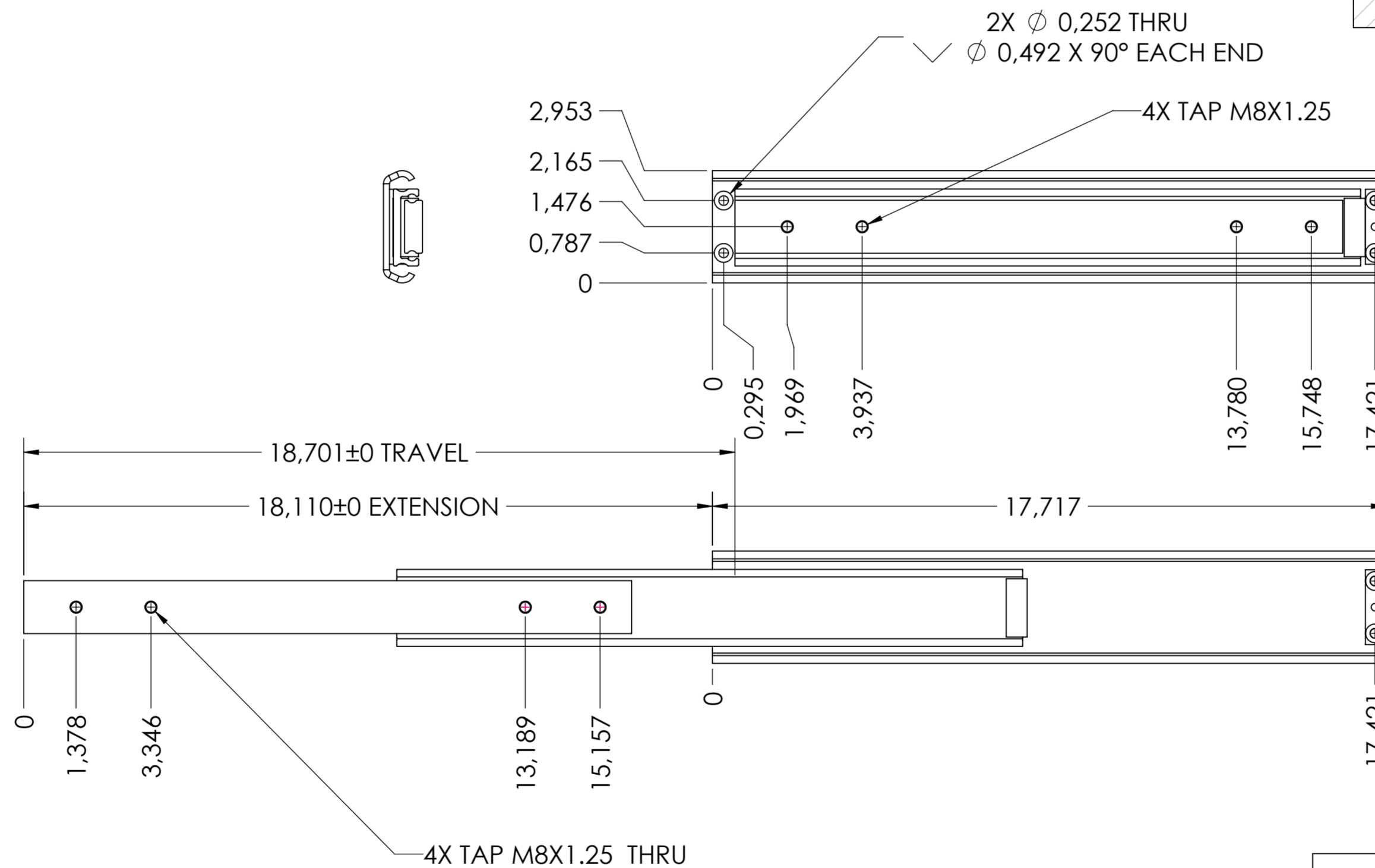


SCALE 1:1



RECOMMENDED HARDWARE:  
CABINET- M6 FLATHEAD SCREWS

DRAWER- M8x1.25 SCREWS

general tolerances		DIN ISO 128-30 missing dimensions see 3D = theor. intersection	
ISO 2768-m			
This drawing remains our property and may not be multiplied neither be disclosed to third parties (§§1,3 and 5 from the copyright Act (UrhG)) covered according to DIN ISO 16016			
(k)	scale:	1:3	surface:
(l)	date	20-07-2018	name
(m)	drawn	HB	description:
(n)	proven	00-00-0000	00
(o)	<b>Fulterer</b>		FULL EXTENSION SIDE MOUNT SUPER HEAVY DUTY SLIDE NON-DISCONNECT
(p)	Fulterer AG & Co KG A-6890 Lustenau / Austria		drawing number:
(q)	Fulterer AG CH-9430 St. Margrethen		<b>5426.450-GA.T092</b>
(r)	changes	date	na.
(s)	0	00-00-0000	0
(t)	replaces version date:		