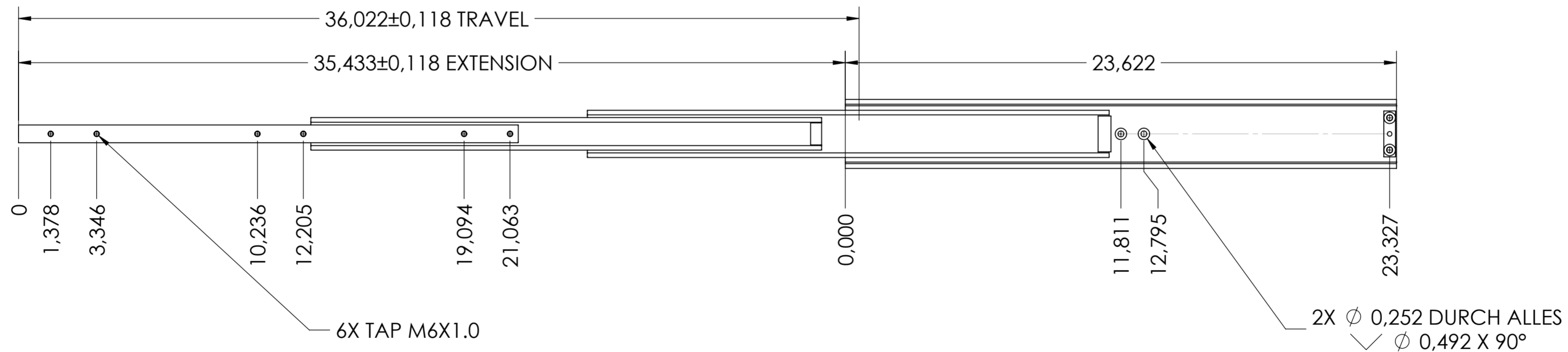
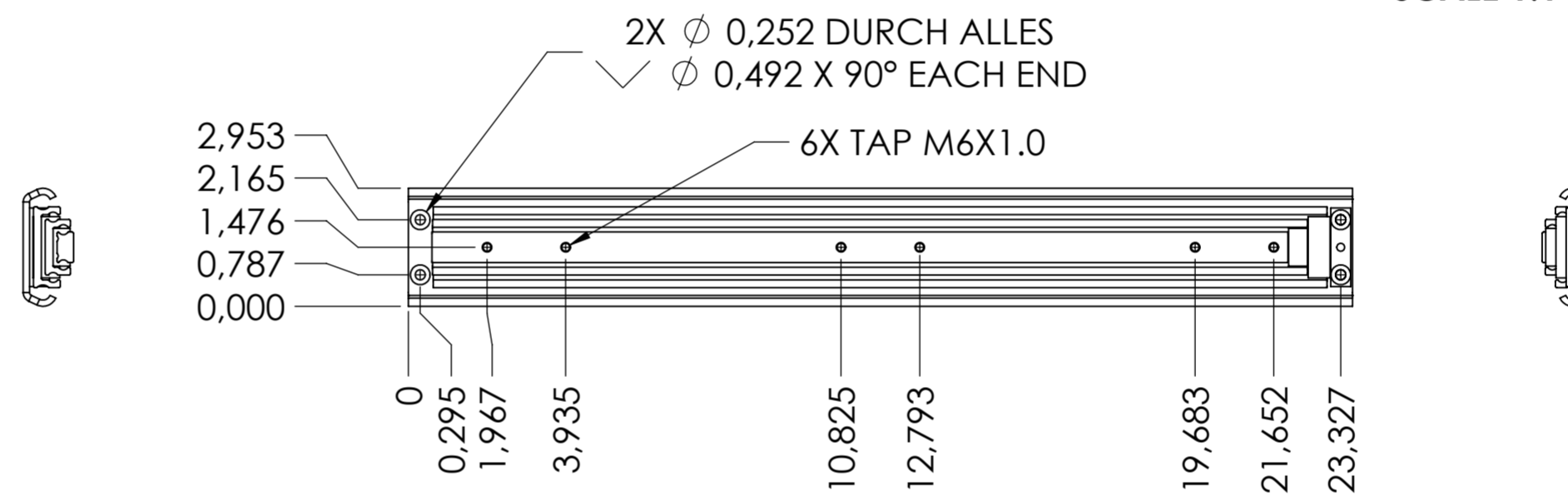


SCALE 1:1



RECOMMENDED HARDWARE:  
 CABINET- M6 FLAT HEAD SCREWS  
 (2) REAR SCREWS ARE 12mm LONGER THAN FRONT/MIDDLE LOCATIONS  
 DRAWER- M6 x 1.0 SCREWS

general tolerances		DIN ISO 128-30 missing dimensions see 3D = theor. intersection	
ISO 2768-m			
This drawing remains our property and may not be multiplied neither be disclosed to third parties (§§1,3 and 5 from the copyright Act (UrhG)) covered according to DIN ISO 16016			
scale: 1:4	surface:		material, semi finished parts: STEEL (technical requirements Fulterer)
	date	name	
drawn	17-12-2018	HB	description: 150% EXTENSION SIDE MOUNT SUPER HEAVY DUTY SLIDE NON-DISCONNECT
proven	00-00-0000	00	
		drawing number: 5432.600-GA.T093	
		replaces version date:	
ind.	changes	date	na.