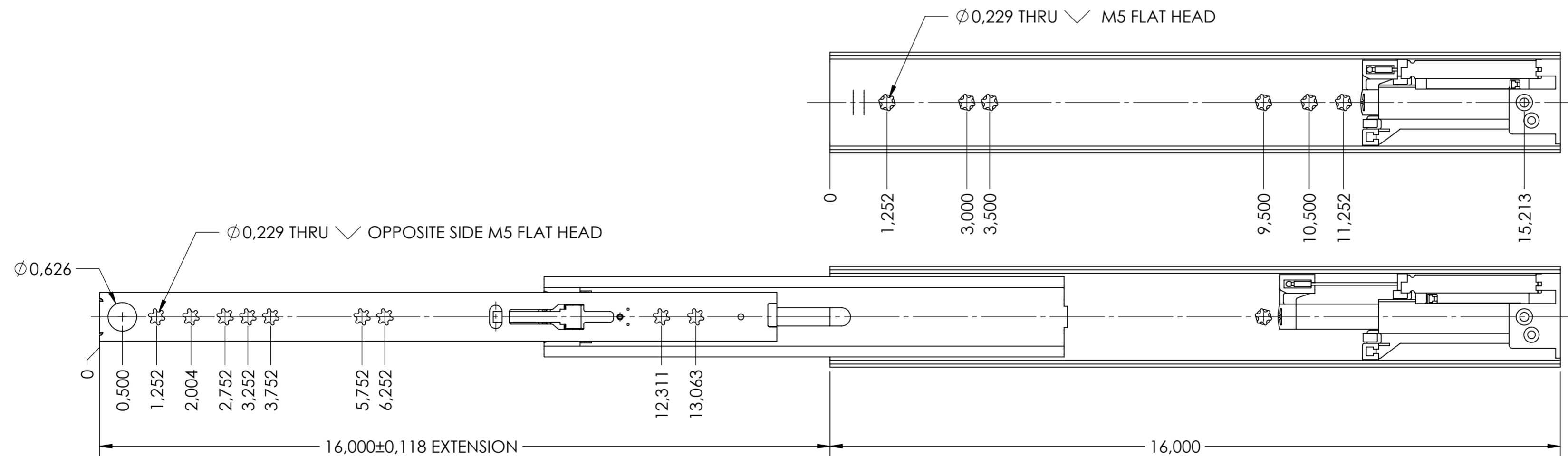


CABINET MOUNTING HOLES



RECOMMENDED HARDWARE:

CABINET- M5 FLAT HEAD SCREW #10 FLAT HEAD SCREW

DRAWER- M5 FLAT HEAD SCREW OR #10 FLAT HEAD SCREW

general tolerances		DIN ISO 128-30	
ISO 2768-m		missing dimensions see 3D	
		= theor. intersection	
This drawing remains our property and may not be multiplied neither be disclosed to third parties (§§1,3 and 5 from the copyright Act (UrhG))			
covered according to DIN ISO 16016		scale:	surface:
(k)		1:2	
(l)		date	name
(m)		drawn 17-02-2021	MW
(n)		proven 00-00-0000	00
(o)		Fulterer	
(p)			
(q)		Fulterer AG & Co KG	
(r)		A-6890 Lustenau / Austria	
(s)		Fulterer AG	
(t)		CH-9430 St. Margrethen	
(u)	UPDATE TITLE BLOCK	19-03-2019	HB
(v)	changes	date	na.
		drawing number:	
		5609.16-GA.T057	
		replaces version date:	